



3.2x1.5mm for Consumer/ Mobile Equipment/ Automotive



AEC-Q200 RoHS Compliant

Features

- Small, Low Profile
- Ceramic Package
- Reflow Compatible

Applications

- Consumer/ Mobile Equipment
- Car navigation system
- Car audio system

How to Order

ST3215SB 32768 P W
 ① ② ③ ④ ⑤ ⑥ ⑦

- ① Series
 ② Frequency 32.768kHz
 ③ Load Capacitance
 ④ Frequency Tolerance

H5	12.5 pF	Std.	F	$\pm 10 \times 10^{-6}$
E0	9.0 pF		H	$\pm 20 \times 10^{-6}$
C0	7.0 pF			
B0	6.0 pF			
A0	5.0 pF			
Z0	4.0 pF			

- ⑤ Operating Temp. Range
 P -40 to +85°C
 W $\pm 200 \times 10^{-6}$
 ⑥ Frequency Temp. Stability

- ⑦ Individual Specification

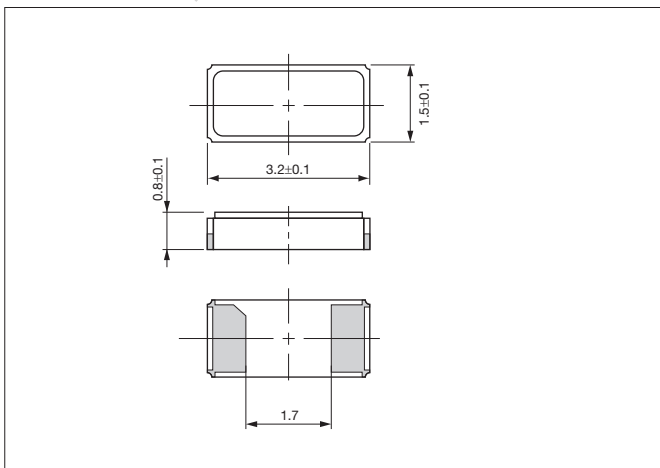
Packaging (Tape & Reel 3000/ 10000 pcs./ reel)

Specifications

Item	Symbol	Specification	Units	Remarks
Nominal Frequency	f _{nom}	32.768	kHz	
Frequency Tolerance	f _{tol}	$\pm 10, \pm 20$	$\times 10^{-6}$	25°C ± 3 °C
Turnover Temperature	T _i	+25 ± 5	°C	
Parabolic Coefficient	B	-0.04 max.	$\times 10^{-6}/^\circ\text{C}^2$	
Motional Resistance	R ₁	70 k max.	ohm	
Motional Capacitance	C ₁	3.7 typ.	fF	
Shunt Capacitance	C ₀	0.9 typ.	pF	
Load Capacitance	CL	4.0/ 5.0/ 6.0/ 7.0/ 9.0/ 12.5	pF	Please contact us for other Load Capacitance.
Drive Level	DL	0.1	μW	0.5 max.
Operating Temp. Range	T _{use}	-40 to +85	°C	
Storage Temp. Range	T _{stg}	-55 to +85	°C	
Frequency Aging	f _{age}	± 3	$\times 10^{-6}$	

Dimensions

(Unit: mm)



Recommended Land Pattern

(Unit: mm)

