



2.0×1.2mm for Consumer/ Mobile Equipment



RoHS Compliant

Features

- Ultra Small, Low Profile
- Ceramic Package
- Reflow Compatible

Applications

- Consumer/ Mobile Equipment

How to Order

ST2012SB 32768 H P W
 ① ② ③ ④ ⑤ ⑥ ⑦

- ① Series
- ② Frequency
32.768kHz
- ③ Load Capacitance
- ④ Frequency Tolerance
- ⑤ Operating Temp. Range
- ⑥ Frequency Temp. Stability
- ⑦ Individual Specification

H5	12.5 pF	Std.	H	$\pm 20 \times 10^{-6}$
E0	9.0 pF			
C0	7.0 pF			
B0	6.0 pF			
A0	5.0 pF			
Z0	4.0 pF			
P	-40 to +85°C		W	$\pm 200 \times 10^{-6}$

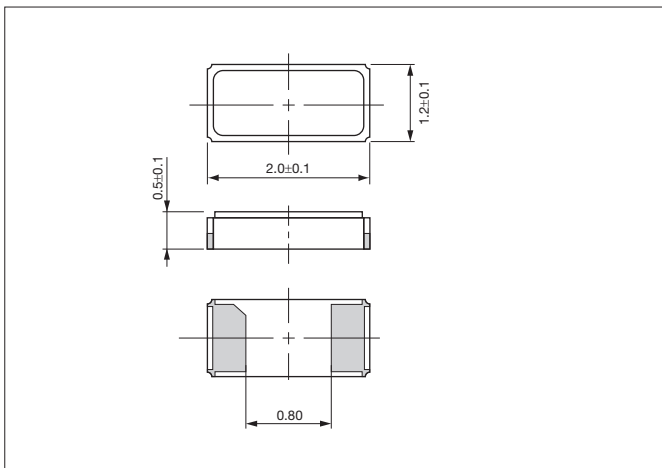
Packaging (Tape & Reel 3000/ 12000 pcs./ reel)

Specifications

Item	Symbol	Specification	Units	Remarks
Nominal Frequency	f _{nom}	32.768	kHz	
Frequency Tolerance	f _{tol}	±20	$\times 10^{-6}$	25°C±3°C
Turnover Temperature	T _i	+25±5	°C	
Parabolic Coefficient	B	-0.04 max.	$\times 10^{-6}/^{\circ}\text{C}^2$	
Motional Resistance	R ₁	80 k max.	ohm	
Motional Capacitance	C ₁	5.8 typ.	ff	
Shunt Capacitance	C ₀	1.3 typ.	pF	
Load Capacitance	CL	4.0/ 5.0/ 6.0/ 7.0/ 9.0/ 12.5	pF	Please contact us for other Load Capacitance.
Drive Level	DL	0.1	μW	0.5 max.
Operating Temp. Range	T _{use}	-40 to +85	°C	
Storage Temp. Range	T _{stg}	-40 to +85	°C	
Frequency Aging	f _{age}	±3	$\times 10^{-6}$	

Dimensions

(Unit: mm)



Recommended Land Pattern

(Unit: mm)

