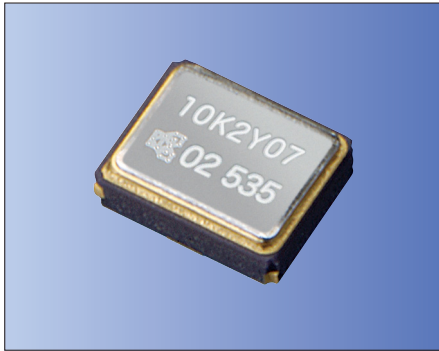


Temperature Compensated Crystal Oscillators (TCXO) Surface Mount Type TCXO (LSI Type) KT2520 Series for GPS



2.5×2.0mm



RoHS Compliant

Features

- Ultra-miniature SMD type (2.5×2.0×0.8mm)
- Freq. temp. chrst. : $\pm 0.5 \times 10^{-6} / -30$ to $+85^\circ\text{C}$
- 1.7 to 3.6V drive available
- Reflow compatible
- Temperature sensor output (Option)

Applications

- GPS Units

How to Order

KT2520P 27456 A C W 18 T xx
① ② ③ ④ ⑤ ⑥ ⑦ ⑧

① Series

*As for 1.8V type and temperature sensor output type, series name shall be KT2520F.

② Output Frequency

③ Freq. Temp. Chrst.

A	$\pm 0.5 \times 10^{-6}$
---	--------------------------

④ Lower Operating Temp.

C	-30°C
E	-20°C
G	-10°C

⑤ Upper Operating Temp.

W	$+85^\circ\text{C}$
V	$+80^\circ\text{C}$
U	$+75^\circ\text{C}$

⑥ Supply Voltage

18	1.8V	28	2.8V
----	------	----	------

⑦ Voltage Control Range

T	TCXO
---	------

⑧ Option Code

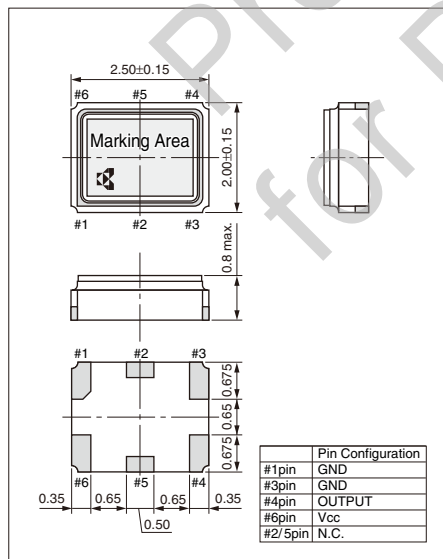
Packaging (Tape & Reel 3000 pcs./ reel)

Specifications

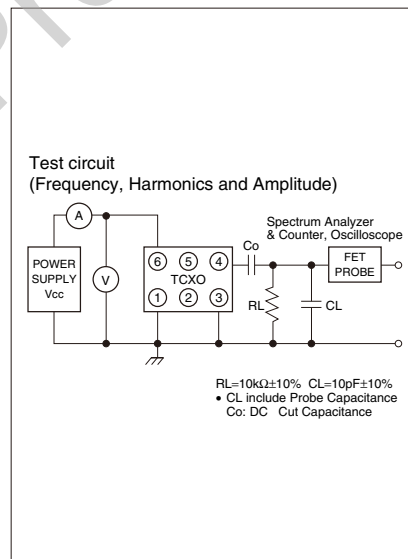
Item	Symbol	Conditions	Min.	Max.	Units
Output Frequency Range	f _o	Standard Frequency: 16.368, 16.369, 19.2, 23.104, 26, 27.456, 33.6	—	—	MHz
Frequency Tolerance	f _{tol}	vs Temperature	-0.5	+0.5	$\times 10^{-6}$
		vs Load	-0.1	+0.1	
		vs Voltage	-0.2	+0.2	
Frequency Aging	f _{age}	Per Year	-1	+1	$\times 10^{-6}$
Storage Temperature Range	T _{stg}		-40	+85	$^\circ\text{C}$
Operating Temperature Range	T _{use}		-30	+85	$^\circ\text{C}$
Supply Voltage	V _{cc}		1.7	3.6	V
Output Level	V _{pp}	10k ohm // 10pF	0.8	—	Vp-p
Current Consumption	I _{cc}		—	2	mA
Harmonics	—		—	-5	dBc

Dimensions

(Unit: mm)



Test Circuit



Recommended Land Pattern

(Unit: mm)

