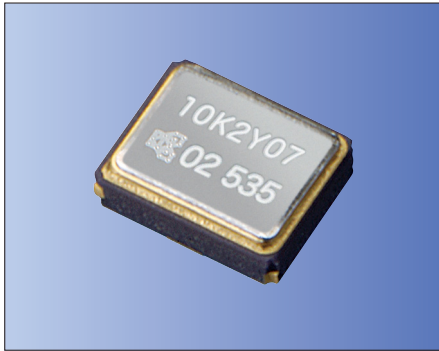


# Temperature Compensated Crystal Oscillators (TCXO) Surface Mount Type TCXO (LSI Type) KT2520 Series



2.5×2.0mm



RoHS Compliant

## Features

- Ultra-miniature SMD type (2.5×2.0×0.8mm)
- AFC function available
- Freq. temp. chrst. :  $\pm 2.0 \times 10^{-6}/-30$  to  $+85^\circ\text{C}$
- 1.7 to 3.6V drive available
- Reflow compatible

## Applications

- 3G (CDMA, W-CDMA, TD-SCDMA), GPRS, GSM, Wi-Fi, WiMAX

## How to Order

KT2520P 26000 D C W 28 T xx  
① ② ③ ④ ⑤ ⑥ ⑦ ⑧

① Series

② Output Frequency

③ Freq. Temp. Chrst.

B	$\pm 1.0 \times 10^{-6}$
C	$\pm 1.5 \times 10^{-6}$
D	$\pm 2.0 \times 10^{-6}$

④ Lower Operating Temp.

C	$-30^\circ\text{C}$
E	$-20^\circ\text{C}$
G	$-10^\circ\text{C}$

⑤ Upper Operating Temp.

W	$+85^\circ\text{C}$
V	$+80^\circ\text{C}$
U	$+75^\circ\text{C}$

⑥ Supply Voltage

28	2.8V	30	3.0V
----	------	----	------

⑦ Voltage Control Range

T	TCXO
Other*	VCTCXO

\* Customer Spec.

⑧ Option Code

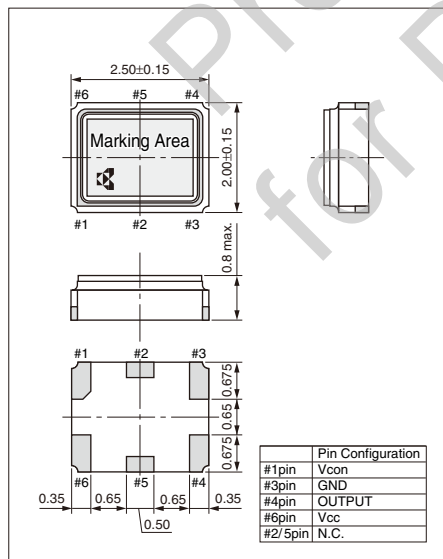
Packaging (Tape & Reel 3000 pcs./ reel)

## Specifications

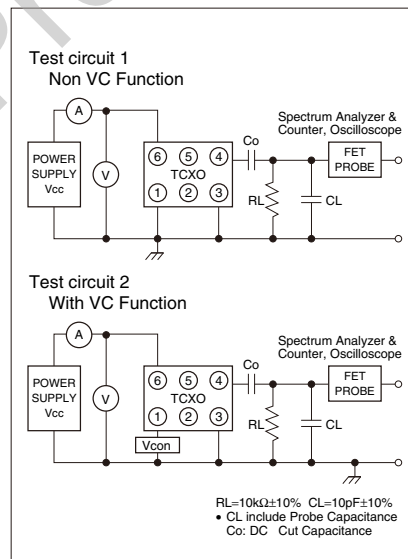
Item	Symbol	Conditions	Min.	Max.	Units
Output Frequency Range	fo	Standard Frequency: 13, 19.2, 26, 38.4, 52	13	52	MHz
Frequency Tolerance	f <sub>tol</sub>	vs Temperature	-2	+2	$\times 10^{-6}$
		vs Load	-0.1	+0.1	
Frequency Aging	f <sub>age</sub>	vs Voltage	-0.2	+0.2	$\times 10^{-6}$
		Per Year	-1	+1	
Storage Temperature Range	T <sub>stg</sub>		-40	+85	$^\circ\text{C}$
Operating Temperature Range	T <sub>use</sub>		-30	+85	$^\circ\text{C}$
Voltage Control Range	f <sub>cont</sub>	Positive	$\pm 8$	$\pm 15$	$\times 10^{-6}$
Supply Voltage	V <sub>cc</sub>		1.7	3.6	V
Output Level	V <sub>pp</sub>	10k ohm // 10pF	0.8	—	Vp-p
Current Consumption	I <sub>cc</sub>		—	2	mA
Harmonics	—		—	-5	dBc

## Dimensions

(Unit: mm)



## Test Circuit



## Recommended Land Pattern

(Unit: mm)

