

5.0×3.2mm for Mobile Communications



RoHS Compliant

Features

- Reference frequency for telecommunication systems
- Ceramic package
- Reflow compatible

Applications

- Mobile Communications, Bluetooth®, Wireless LAN

* Bluetooth® Trademarks are owned by Bluetooth SIG Inc.

How to Order

CX5032SB 26000 HO F L J Z1
① ② ③ ④ ⑤ ⑥ ⑦

① Series	② Frequency
③ Load Capacitance	④ Frequency Tolerance
HO 12 pF	F ±10×10 ⁻⁶
⑤ Operating Temp. Range	⑥ Frequency Temp. Stability
LJ -30 to +85°C	±15×10 ⁻⁶

⑦ Individual Specification (STD Specification is "Z1")

Packaging (Tape & Reel 1000 pcs./ reel)

Specifications

Item	Symbol	Specification	Units	Remarks
Frequency Range	f _{nom}	9800 to 50000 50 to 80 (MHz)	kHz	
Overtone Order	OT	Fundamental 3rd. Overtone	—	
Load Capacitance	CL	12	pF	Please contact us for other Load Capacitance.
Frequency Tolerance	f _{tol}	±10	×10 ⁻⁶	25°C±3°C
Motional Series Resistance	R1	Table 1	ohm	
Drive Level	DL	Table 2	μW	
Operating Temp. Range	T _{use}	-30 to +85	°C	
Storage Temp. Range	T _{stg}	-40 to +85	°C	
Frequency Temp. Characteristics	f _{tem}	±15	×10 ⁻⁶	Freq. deviation from the value at 25°C

Please contact us for other specifications.

Table1 Motional Series Resistance

Frequency Range	Motional Series Resistance
9800 ≤ f _{nom} < 10000 kHz	150Ω max.
10000 ≤ f _{nom} < 12000 kHz	80Ω max.
12000 ≤ f _{nom} < 26000 kHz	50Ω max.
26000 ≤ f _{nom} ≤ 50000 kHz	40Ω max.
* 50 ≤ f _{nom} ≤ 80 (MHz)	80Ω max.

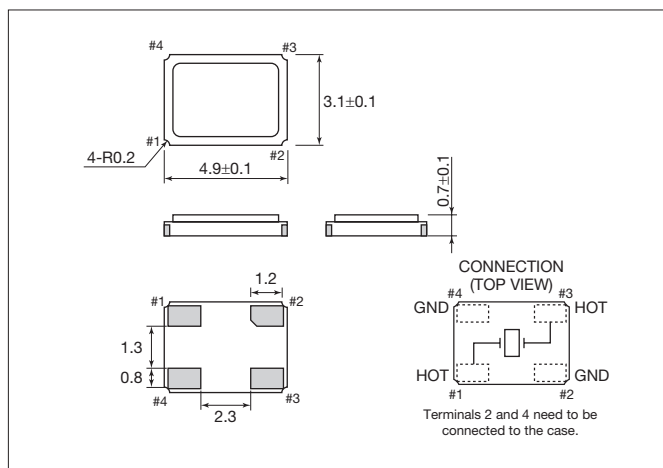
* 3rd Overtone

Table2 Level of Drive

Frequency Range	Level of Drive
9800 ≤ f _{nom} ≤ 50000 kHz	10μW (100μW max.)
50 ≤ f _{nom} ≤ 80 (MHz)	

Dimensions

(Unit: mm)



Recommended Land Pattern

(Unit: mm)

