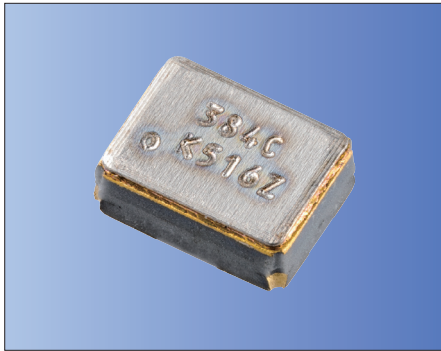




1.6×1.2mm for Mobile Communications



RoHS Compliant

Features

- Crystal Unit with Thermistor
- Reference frequency for telecommunication systems
- Reflow compatible
- Using ceramic package resulting in high reliability

Applications

- Mobile Communications, GNSS

How to Order

CT1612DB 38400 □□ □ □ □ □ □ □
① ② ③ ④ ⑤ ⑥ ⑦

①Series				④Frequency Tolerance			
②Frequency				F	$\pm 10 \times 10^{-6}$	Std.	
③Load Capacitance	B0	6 pF	—	G	$\pm 15 \times 10^{-6}$	—	
	C0	7 pF	—				
	D0	8 pF	Std.				
⑤Operating Temp. Range				⑥Frequency Temp. Stability			
	LH	-30 to +85°C			$\pm 12 \times 10^{-6}$	(at -30 to +85°C)	
⑦Individual Specification							

Packaging (Tape & Reel 12000 pcs./ reel)

Specifications

Item	Symbol	Specification	Unit	Remarks
Frequency Range	f _{nom}	38400 to 76800	kHz	
Overtone Order	OT	Fundamental	—	
Load Capacitance	CL	8	pF	Please contact us for other CL requirements.
Frequency Tolerance	f _{tol}	±10	$\times 10^{-6}$	25°C±3°C
Motional Series Resistance	R1	Table 1	ohm	
Drive Level	DL	10	μW	100μW max.
Operating Temp. Range	T _{use}	-30 to +85	°C	
Storage Temp. Range	T _{stg}	-40 to +105	°C	
Frequency Temp. Characteristics	f _{tem}	±12	$\times 10^{-6}$	
Thermistor Resistance	—	Table 2	ohm	25°C±3°C
Thermistor B-Constant	—	Table 3	K	25°C to 50°C

Please contact us for other specifications.

Table 1 Motional Series Resistance

Frequency Range	Motional Series Resistance
38400 to 76800kHz	80 Ω max.

Table 2 Thermistor Resistance

Resistance	Specification
22kΩ	±1%
100kΩ	±1%

Table 3 Thermistor B-Constant

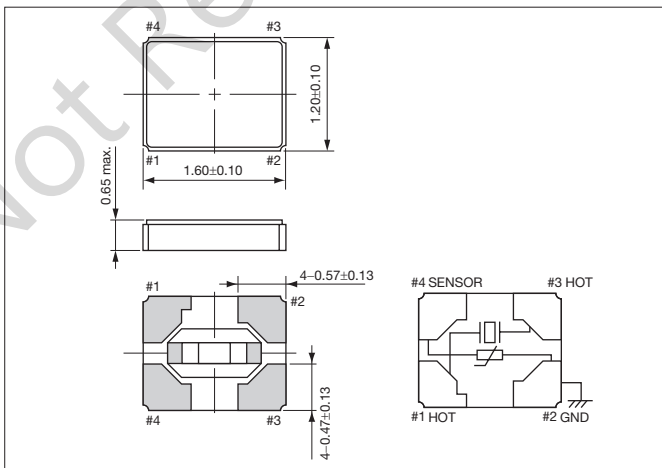
B-Constant	Specification
3380K	±1%
4250K	±1%

Crystal Units



Dimensions

(Unit: mm)



Recommended Land Pattern

(Unit: mm)

