

Features

- Ultra small and wide capacitance range
- Small ΔC after alcohol washing
- Better cost performance with Ag plated lead available
- Wide slot type adjustable by using nonconductive trimming driver

* As for TSR•TSW•TSF series, Only manual soldering corresponds

Applications

- Watch
- Ultra miniature radio
- Telecommunication
- Ultra small video tuner
- Cordless phone
- Pager

How to Order

TSR 3 S - 150
① ② ③ ④

① Series

TSR	TSR Series
TSF	TSF Series
TSW	TSW Series

② Diameter Indication

3	3 ϕ type
2	2 ϕ type

③ Capacitance Range

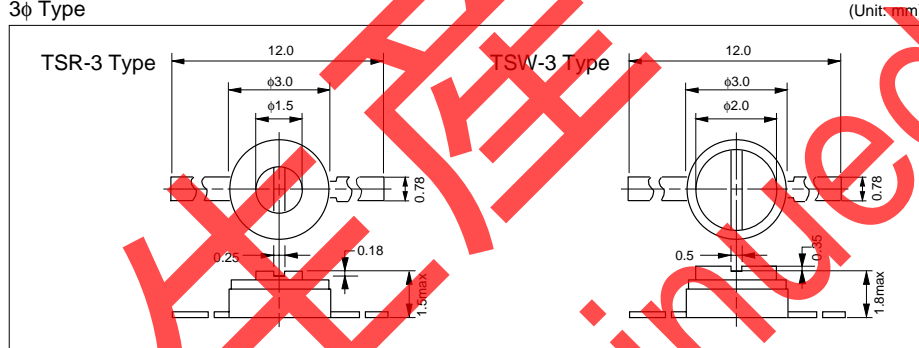
120	1.2mm	TSF2 type
150	1.5mm	TSR3 type
180	1.8mm	TSW3 type

④ Thickness Dimensions

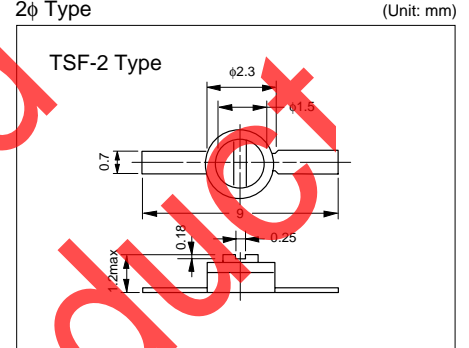
120	1.2mm	TSF2 type
150	1.5mm	TSR3 type
180	1.8mm	TSW3 type

Dimensions

3 ϕ Type



2 ϕ Type



Specifications

P/N	Capacitance Range Mark	Capacitance Range Mark (pF)	P/N	Thickness Marking			T.C (ppm/°C)	Q Factor (1±0.1MHz)	Slot Dimension
				120	150	180			
TSR3 TSW3	Z	1 to 3	TSW3	—	—	○	NPO±300	TSR3≥150	TSR3 Normal Slot Width:0.25 Depth:0.18
	P	1.5 to 5	TSW3	—	—	○			
	SP	1.5 to 10	TSW3	—	—	○			
	H	2.5 to 10	TSW3	—	—	○			
	S3	5.0 to 20	TSR3	—	○	—	N750±500	TSW3≥200	TSW3 Wide Slot Width:0.50 Depth:0.35
				—	—	○			
		5.0 to 25	TSR3	—	○	—			
				—	—	○			
		5.0 to 30	TSR3	—	○	—			
				—	—	○			
5.0 to 35	TSR3	—	○	—					
		—	—	○					
L	5.0 to 40	TSR3	—	○	—				
			—	—	○				
TSF2	L	5.0 to 20	TSF2	○	—	N1200±800	TSF2≥100	TSF2 Normal Slot Width:0.25, Depth:0.18	
	L2	5.0 to 25	TSF2	○	—				