

Features

- Small and low profile
- Excellent anti-shock performance
- Reflow solderable
- First class Auto placement

Applications

- Cellular phone
- Cordless phone
- Car audio (AM radio section)
- Walkie & Talkie (Citizens band, MCA)

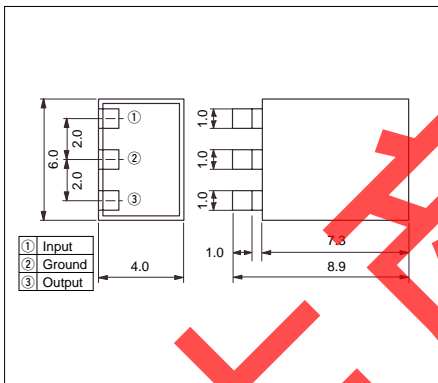
How to Order

PBFS 455 P 12 D R
 ① ② ③ ④ ⑤ ⑥

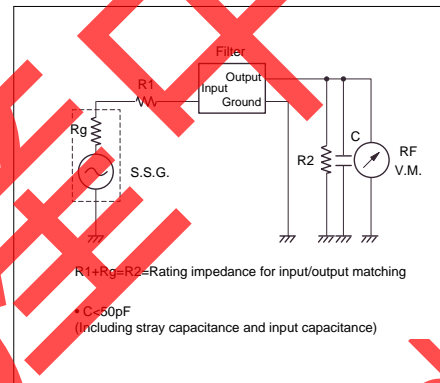
- ① Series
- ② Center Frequency (kHz)
[450-460kHz available]
- ③ Number of Element (P : 4 elements)
- ④ Pass Band-Width (kHz) at 6dB
- ⑤ Application
D : General purpose
K : Group delay flat type (Telecom)
- ⑥ Packaging
(R: Taping, 1000pcs/Reel, Nil: Bulk)

Dimensions

(Unit : mm)



Test Circuit



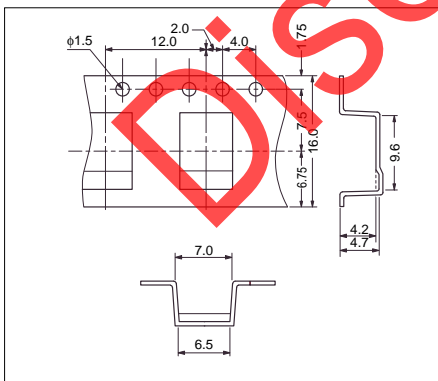
Specifications

Parts No.	Center Frequency (f ₀)	Ripple	Group Delay Time	Pass Band Width		Attenuation	Insertion Loss	Input/Output matching Impedance	Operating Temperature
				6dB	40dB				
PBFS455P20D	455kHz ±1.5kHz	2dB max	—	±10.0kHz min	±20.0kHz max	25dB min	6dB max	1.5kΩ	-20°C to +80°C
PBFS455P15D				±7.5kHz min	±15.0kHz max				
PBFS455P12D				±6.0kHz min	±12.5kHz max				
PBFS455P9D				±4.5kHz min	±11.0kHz max				
PBFS455P6D	455kHz ±1.0kHz	1dB max	15μSec max at 455kHz±10kHz 15μSec max at 455kHz±8kHz 30μSec max at 455kHz±7kHz	±3.0kHz min	±9.0kHz max	1.0kΩ			
PBFS455P4D				±2.0kHz min	±7.5kHz max				
PBFS455P30K	455kHz ±1.5kHz	1dB max	15μSec max at 455kHz±10kHz 15μSec max at 455kHz±8kHz 30μSec max at 455kHz±7kHz	±15.0kHz min	±35.0kHz max				
PBFS455P25K				±12.5kHz min	±30kHz max				
PBFS455P20K				±10.0kHz min	±25.0kHz max				

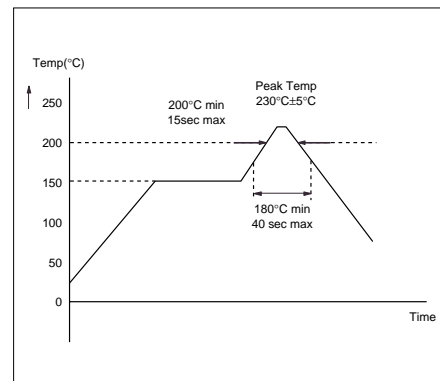
Remarks) Center frequency is 450 to 460kHz available

Taping Dimension

(Unit : mm)



Recommended Temperature Profile



Recommended Land Pattern

