

RoHS Compliant

### Features

- Miniature SMD type (2.0×1.6×0.8mm)
- Freq. temp. characteristics:  $\pm 0.5 \times 10^{-6} / -30$  to  $+85^\circ\text{C}$
- 1.68 to 3.45V drive available
- Reflow compatible
- Disable Function (Option)

### Applications

- GPS Unit

### How to Order

KT2016A 26000 A C W 18 T xx  
① ② ③ ④ ⑤ ⑥ ⑦ ⑧

① Series	A	$\pm 0.5 \times 10^{-6}$
② Output Frequency	18	1.8V 2.8V
③ Freq. Temp. Chrst.	T	TCXO
④ Lower Operating Temp.	N	Disable Function
⑤ Upper Operating Temp.	W	+85°C
	V	+80°C
	U	+75°C
⑥ Supply Voltage	1.8V	2.8V
⑦ Voltage Control Range	T	TCXO
⑧ Option Code	N	Disable Function

Packaging (Tape & Reel 4000 pcs./ reel)

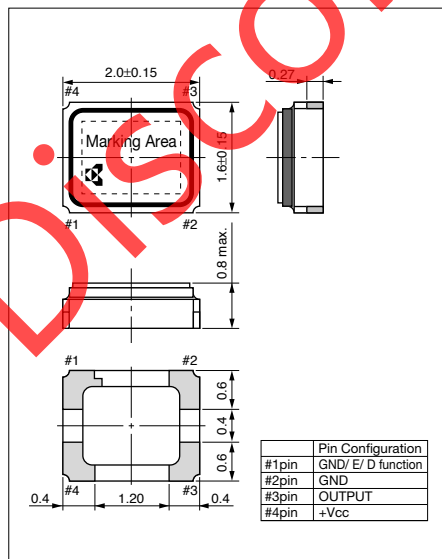
### Specifications

Item	Symbol	Conditions	Min.	Max.	Units
Output Frequency Range	fo	Standard Frequency: 16.368, 16.369, 19.2, 26, 27.456, 33.6, 38.4, 52	13	52	MHz
Frequency Tolerance	f <sub>tol</sub>	vs Temperature	-0.5	+0.5	$\times 10^{-6}$
		vs Load	-0.1	+0.1	
		vs Voltage	-0.2	+0.2	
Frequency Aging	f <sub>age</sub>	Per Year	-1	+1	$\times 10^{-6}$
Storage Temperature Range	T <sub>stg</sub>		-40	+85	°C
Operating Temperature Range	T <sub>use</sub>		-30	+85	°C
Supply Voltage	V <sub>CC</sub>		1.68	3.45	V
Output Level	V <sub>pp</sub>	Clipped Sine <sup>*</sup> , Load: 10k ohm // 10pF	0.8	—	Vp-p
Current Consumption	I <sub>CC</sub>		—	2	mA
Harmonics	—		—	-5	dBc

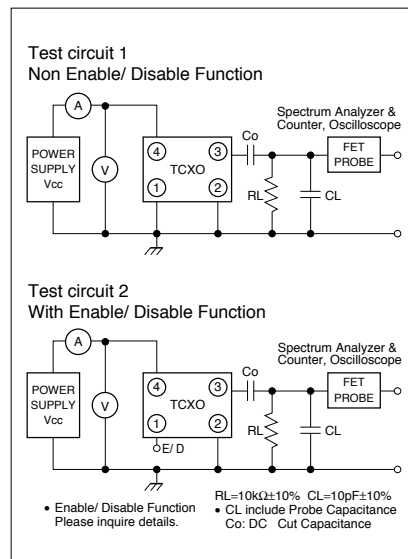
\* : A DC-cut capacitor is not embedded in this crystal oscillator. Connect a DC-cut capacitor ( $\geq 1\text{nF}$ ) to the line-out terminal of the oscillator.

### Dimensions

(Unit: mm)



### Test Circuit



### Recommended Land Pattern

(Unit: mm)

