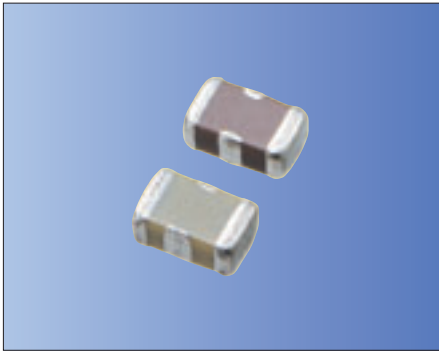


Three Terminal Capacitors KNH21 Series



RoHS Compliant

Features

- 0805 Size. Rated current up to 6A MAX.
- Effective for filtering noise on power (Vcc) lines.

Applications

- PCs, Laser Printers, Cellular Phone, Power/ Signal Lines for LCD Display, Office Equipments
- AV Power Supply/ Signal Line, TV, VCR, etc.
- High Current Signal Lines

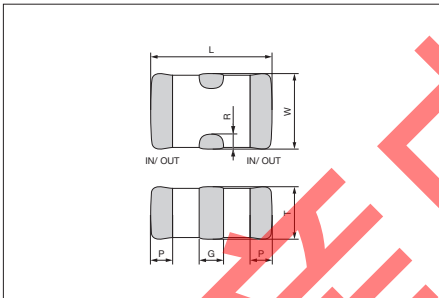
How to Order

KNH 21 X5R 473 M 50 A T
① ② ③ ④ ⑤ ⑥ ⑦ ⑧

① Series	21			0805		
② Size	21			0805		
③ High Dielectric Constant Type	X5R			ΔC: ±15		
④ Capacitance	473	47,000pF	105	1,000,000pF		
	104	100,000pF	106	10,000,000pF		
⑤ Tolerance	M			±20%		
⑥ Voltage	06	6.3VDC	25	25VDC		
	10	10VDC	50	50VDC		
⑦ Termination	A			Plating		
⑧ Packaging	T			Taping (7 Reel Taping & 4mm Cavity pitch) / 3,000pcs/ Reel		

Dimensions

(Unit: mm)



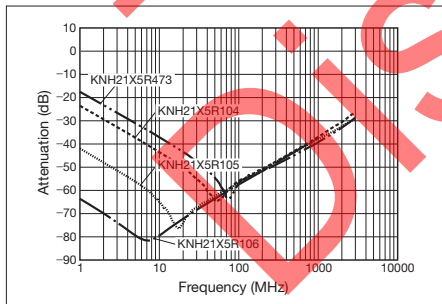
CODE	L	W
KNH21	2.0±0.2	1.25±0.2
CODE	T	G
KNH21	0.85±0.15	0.40±0.30
KNH21X5R106	1.0±0.15	
CODE	P	R
KNH21	0.30±0.20	≥0.01

Specifications

Part Number	Capacitance	Rated Current	Operating Temperature
KNH21X5R106M06AT	10,000,000pF	6.0A	-55 to +85°C
KNH21X5R105M10AT	1,000,000pF	4.0A	
KNH21X5R104M25AT	100,000pF	2.0A	
KNH21X5R473M50AT	47,000pF	2.0A	

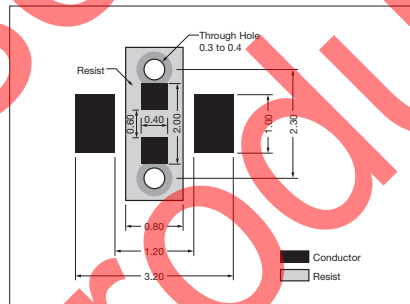
- Storage condition
Temperature: -10 to +45°C
Humidity: 45 to 75%RH

Attenuation Characteristics



Recommended Land Pattern

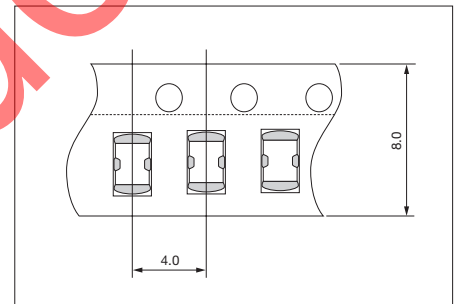
(Unit: mm)



Packaging Specification

- Taping (3,000/ reel)

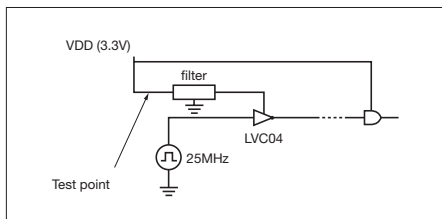
(Unit: mm)



<Electrical Characteristics>

- Wide attenuation range including surrounding circuit.

Test Circuit



Attenuation Effect of Power Supply Noise

