

RoHS Compliant

### Features

- 0805 Size. Rated current up to 6A MAX.
- Effective for filtering noise on power (Vcc) lines.

### Applications

- PCs, Laser Printers, Cellular Phone, Power/ Signal Lines for LCD Display, Office Equipments
- AV Power Supply/ Signal Line, TV, VCR, etc.
- High Current Signal Lines

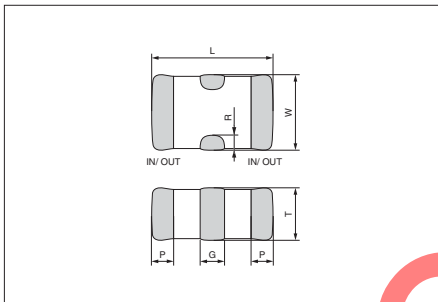
### How to Order

KNH 21 C104 DA 3T S  
① ② ③ ④ ⑤ ⑥

① Series	21		2012 (EIA: 0805)	
② Size Code				
③ Capacitance	C106	10,000,000pF	C473	47,000pF
	C105	1,000,000pF	C471	470pF
	C104	100,000pF	C221	220pF
④ Application	DA Digital Circuit in General			
⑤ Packaging	3T T&R: 3000 pcs. (Std.)			
⑥ Termination	S Std.			

### Dimensions

(Unit: mm)



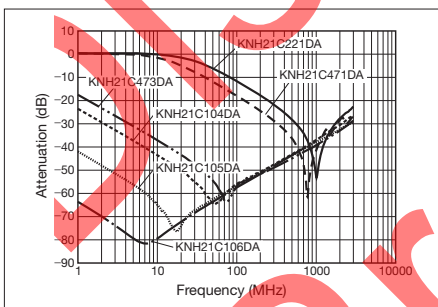
CODE	L	W
KNH21	2.0±0.2	1.25±0.2
CODE	T	G
KNH21	0.85±0.15	0.40±0.30
CODE	P	R
KNH21	0.30±0.20	≥0.01

### Specifications

Part Number	Capacitance (+50/-20%)	Rated Current	Rated Voltage	Temp. Coefficient of Capacitance	Operating Temperature
KNH21C106DA3TS	10,000,000pF	6.0A	6.3VDC	±15%	-40 to +85°C
KNH21C105DA3TS	1,000,000pF	4.0A	10VDC	±15%	
KNH21C104DA3TS	100,000pF	2.0A	25VDC	±15%	
KNH21C473DA3TS	47,000pF	2.0A	50VDC	±15%	
KNH21C471DA3TS	470pF	1.0A	50VDC	±60ppm/°C	
KNH21C221DA3TS	220pF	1.0A	50VDC	±60ppm/°C	

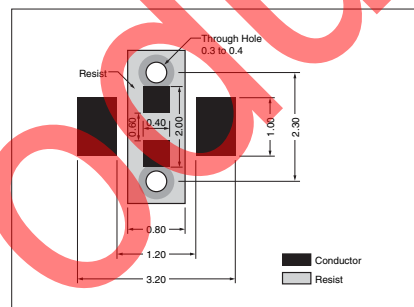
- Storage condition Temperature: -10 to +45°C Humidity: 45 to 75%RH

### Attenuation Characteristics



### Recommended Land Pattern

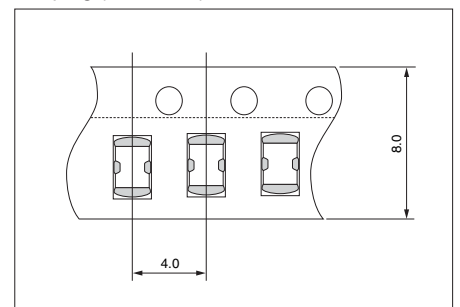
(Unit: mm)



### Packaging Specification

- Taping (3000/ reel)

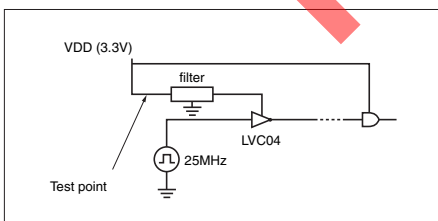
(Unit: mm)



### <Electrical Characteristics>

- Wide attenuation range including surrounding circuit.

### Test Circuit



### Attenuation Effect of Power Supply Noise

