

# Temperature Compensated Crystal Oscillators (TCXO) Surface Mount Type TCXO (LSI Type) KT2520Y Series for GPS



2.5×2.0mm



Ph Free

RoHS Compliant

## Features

- Ultra-miniature SMD type (2.5×2.0×0.9mm)
- Frequency stability : ±0.5×10<sup>-6</sup>/-30 to +85°C
- 2.3 to 3.5V drive available
- Reflow compatible

## Applications

- GPS Units

## How to Order

KT2520Y 16369 A C W 28 T xx  
① ② ③ ④ ⑤ ⑥ ⑦ ⑧

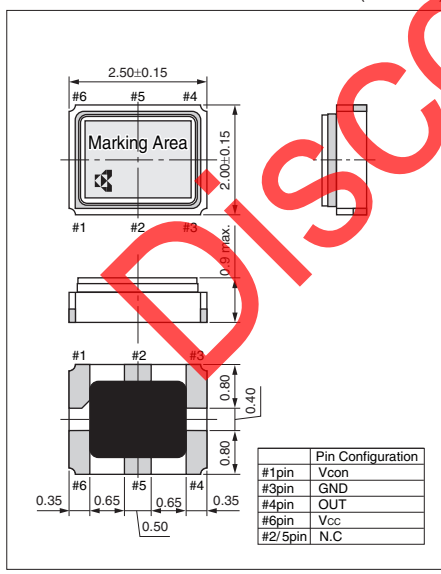
- ① Series: **A** ±0.5×10<sup>-6</sup>
- ② Output Frequency: **28** 2.8V **30** 3.0V
- ③ Frequency Tolerance: **TCXO** T
- ④ Lower Operating Temp.: **C** -30°C, **E** -20°C, **G** -10°C
- ⑤ Upper Operating Temp.: **W** +85°C, **V** +80°C, **U** +75°C
- ⑥ Supply Voltage: **28** 2.8V **30** 3.0V
- ⑦ Voltage Control Range: **TCXO** T
- ⑧ Option Code

## Specifications

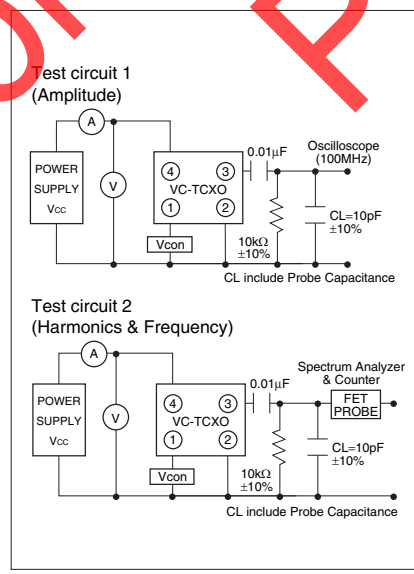
Item	Symbol	Conditions	Min.	Max.	Units
Output Frequency Range	F <sub>o</sub>	Standard Frequency: 16.369, 19.2, 24.5535, 26, 27.456			MHz
Frequency Tolerance	F <sub>tol</sub>	vs Temperature	-0.5	+0.5	×10 <sup>-6</sup>
		vs Load	-0.2	+0.2	
		vs Voltage	-0.3	+0.3	
Frequency Aging	F <sub>aging</sub>	Per Year	-1	+1	×10 <sup>-6</sup>
Storage Temperature Range	T <sub>sto</sub>		-40	+85	°C
Operating Temperature Range	T <sub>use</sub>		-30	+85	°C
Supply Voltage	V <sub>cc</sub>		2.3	3.5	V
Output Level	V <sub>pp</sub>	10k ohm // 10pF	0.8		Vp-p
Current Consumption	I <sub>cc</sub>			2	mA
Symmetry	SYM	@50% V <sub>cc</sub>	40	60	%
Harmonics	—			-5	dBc

## Dimensions

(Unit: mm)



## Test Circuit



## Recommended Land Pattern

(Unit: mm)

