

Temperature Compensated Crystal Oscillators (TCXO) Surface Mount Type TCXO (LSI Type) KT2520Y Series



2.5×2.0mm



Ph Free

RoHS Compliant

Features

- Ultra-miniature SMD type (2.5×2.0×0.9mm)
- AFC function available
- Frequency stability : ±2.0×10⁻⁶/-30 to +85°C
- 2.3 to 3.5V drive available
- Reflow compatible

Applications

- 3G (CDMA, W-CDMA), GPRS, GSM

How to Order

KT2520Y 26000 D C W 28 T xx
① ② ③ ④ ⑤ ⑥ ⑦ ⑧

- ① Series
- ② Output Frequency
- ③ Frequency Tolerance

B	±1.0×10 ⁻⁶
C	±1.5×10 ⁻⁶
D	±2.0×10 ⁻⁶

- ④ Lower Operating Temp.
- | | |
|---|-------|
| C | -30°C |
| E | -20°C |
| G | -10°C |

- ⑤ Upper Operating Temp.
- | | |
|---|-------|
| W | +85°C |
| V | +80°C |
| U | +75°C |

- ⑥ Supply Voltage
- | | | | |
|----|------|----|------|
| 28 | 2.8V | 30 | 3.0V |
|----|------|----|------|

- ⑦ Voltage Control Range
- | | |
|--------|----------------|
| TCXO | T |
| VCTCXO | Customer Spec. |

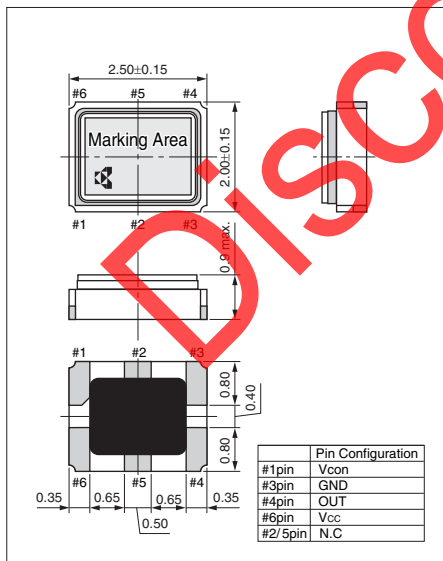
- ⑧ Option Code

Specifications

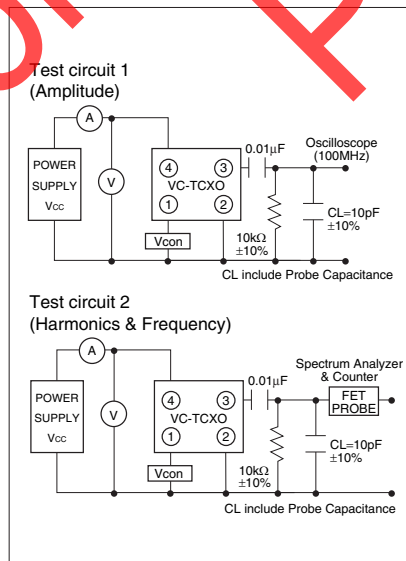
Item	Symbol	Conditions	Min.	Max.	Units
Output Frequency Range	F _o	Standard Frequency: 13, 19.2, 26, 38.4	13	40	MHz
Frequency Tolerance	F _{tol}	vs Temperature	-2	+2	×10 ⁻⁶
		vs Load	-0.2	+0.2	
		vs Voltage	-0.3	+0.3	
Frequency Aging	F _{aging}	Per Year	-1	+1	×10 ⁻⁶
Storage Temperature Range	T _{stg}		-40	+85	°C
Operating Temperature Range	T _{use}		-30	+85	°C
Voltage Control Range	F _{cont}	Positive	±8	±15	×10 ⁻⁶
Supply Voltage	V _{cc}		2.3	3.5	V
Output Level	V _{pp}	10k ohm // 10pF	0.8	—	Vp-p
Current Consumption	I _{cc}		—	2	mA
Symmetry	SYM	@50% V _{cc}	40	60	%
Harmonics	—		—	-5	dBc

Dimensions

(Unit: mm)



Test Circuit



Recommended Land Pattern

(Unit: mm)

