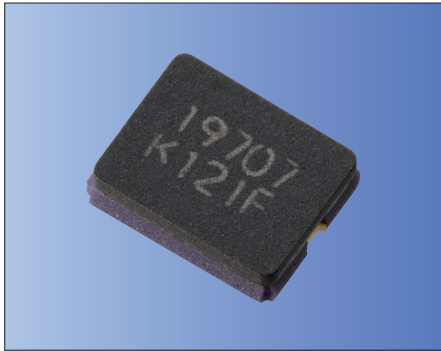




3.2×2.5mm for Automotive



AEC-Q200 RoHS Compliant

Features

- Crystal unit for automotive electronics
- Improved solderability
- Small and low profile (3.2×2.5×0.85mm)
- Ceramic package
- Reflow compatible
- Acceptable heat cycle solder junction for 3000 cycles (-40 to +125°C)

Applications

- ECU
- TPMS
- High-Speed Automotive Network

How to Order

CX3225GA 16000 D0 H T V

① ② ③ ④ ⑤ ⑥ ⑦

①Series	②Frequency
③Load Capacitance	④Frequency Tolerance
D0	8 pF
H	±20×10 ⁻⁶
⑤Operating Temp. Range	⑥Frequency Temp. Stability
TV	-40 to +150°C
SS	-40 to +125°C
	±150×10 ⁻⁶
	±50×10 ⁻⁶

⑦Individual Specification (STD Specification is "CC")

Packaging (Tape & Reel 3000 pcs./ reel)

Specifications

Item	Symbol	Specification	Unit	Remarks
Frequency Range	f _{nom}	8 / 12 / 16 / 20 / 25 / 40	MHz	Please contact us for other frequency range.
Overtone Order	OT	Fundamental	—	
Load Capacitance	CL	8	pF	Please contact us for other CL requirements.
Frequency Tolerance	f _{tol}	±20	×10 ⁻⁶	25°C±3°C
Motional Series Resistance	R1	Table 1	ohm	
Drive Level	DL	10μW(200μW max.)	μW	
Operating Temp. Range	T _{use}	-40 to +150 / -40 to +125	°C	
Storage Temp. Range	T _{stg}	-40 to +150	°C	
Frequency Temp. Characteristics	f _{tem}	±150 / ±50	×10 ⁻⁶	Freq. deviation from the value at 25°C

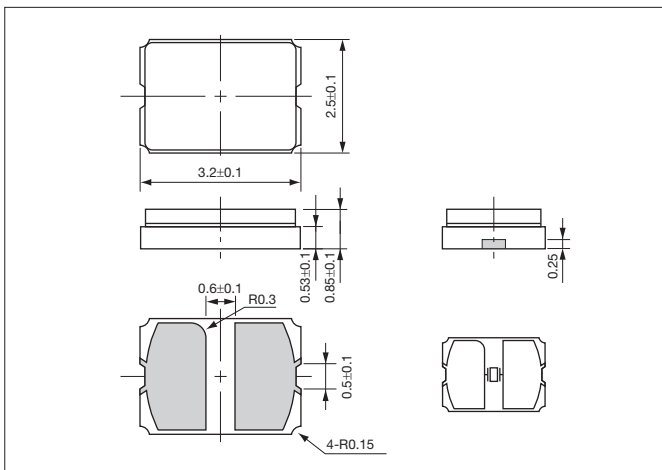
Please contact us for other specifications.

Table 1 Motional Series Resistance Please contact us for other frequency range.

Frequency	Motional Series Resistance
8000 ≤ f _{nom} < 9800kHz	500 Ω max.
98000 ≤ f _{nom} < 13560kHz	200 Ω max.
13560 ≤ f _{nom} < 16000kHz	120 Ω max.
16000 ≤ f _{nom} ≤ 54000kHz	100 Ω max.

Dimensions

(Unit: mm)



Recommended Land Pattern

(Unit: mm)

