

Datasheet of SAW Filter

1109 GNSS

For GPS(L1) _GLONASS(G1) _BEIDOU(B1)

AEC-Q200 Grade2

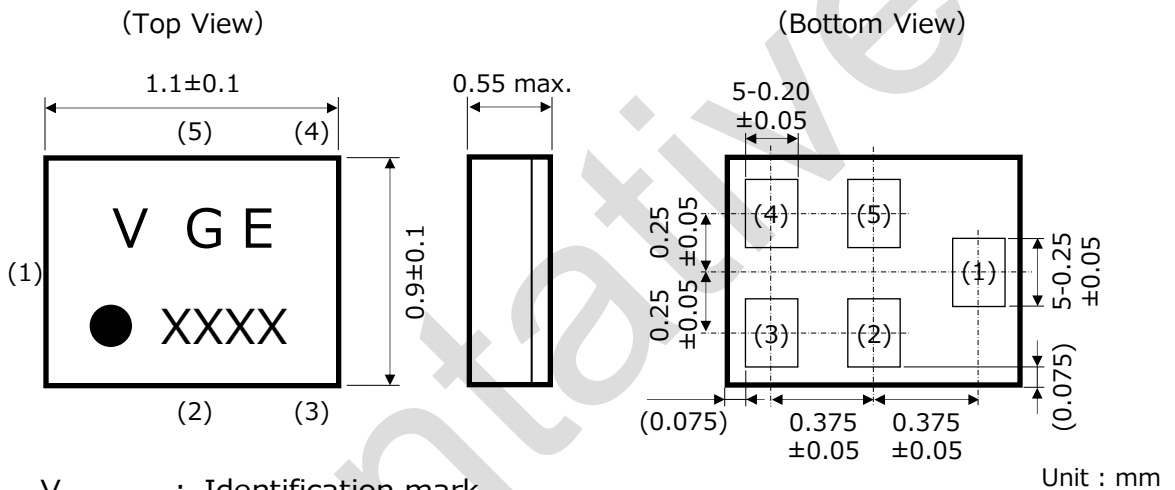
KYOCERA Part No. : VF11-1582M5UUE1

< Note > This specification may be subject to change.

Rating

Items	Rating	Unit	Note
Operating Temperature Range	-40 to 105	deg.C	
Storage Temperature Range	-40 to 105	deg.C	
Max Input Power	Input port	15	dBm 5,000Hours,Ta=50deg.C ,CW
ESDLevel	Human Body Model	100	Volt Complied to JESD22-A114
Input Port Nominal Impedance		50	ohm Unbalance
Output Port Nominal Impedance		50	ohm Unbalance
AEC-Q200	Grade2		Complied to AEC-Q200

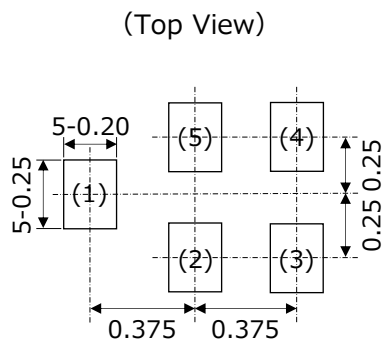
Dimensions



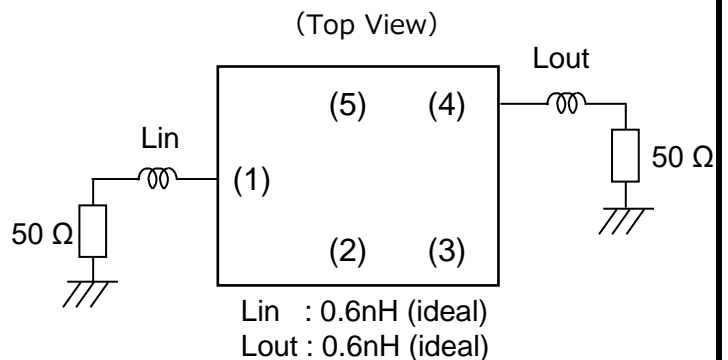
- V : Identification mark
- GE : Identification no.
- : Index mark of pin 1
- XXXX : Production code

Pin No.	Function
(1)	Input
(4)	Output
Others	GND

Recommendable Land Pattern



Measurement Circuit



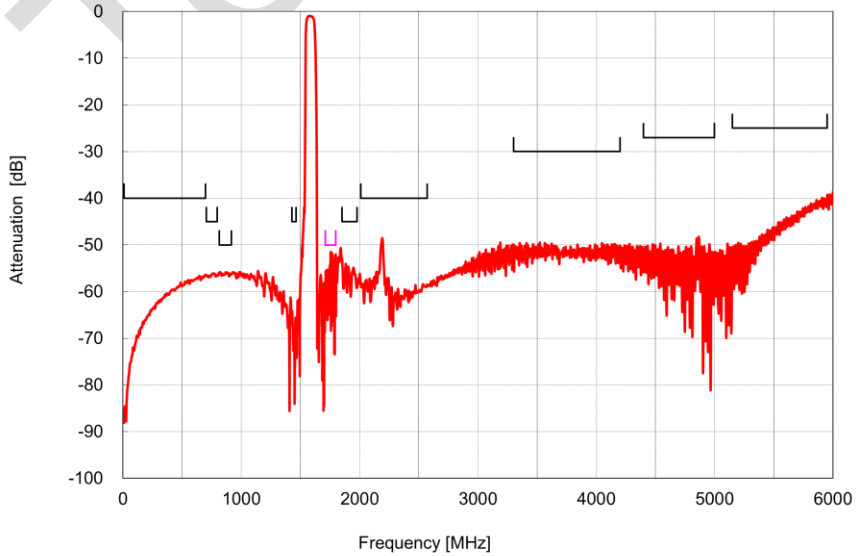
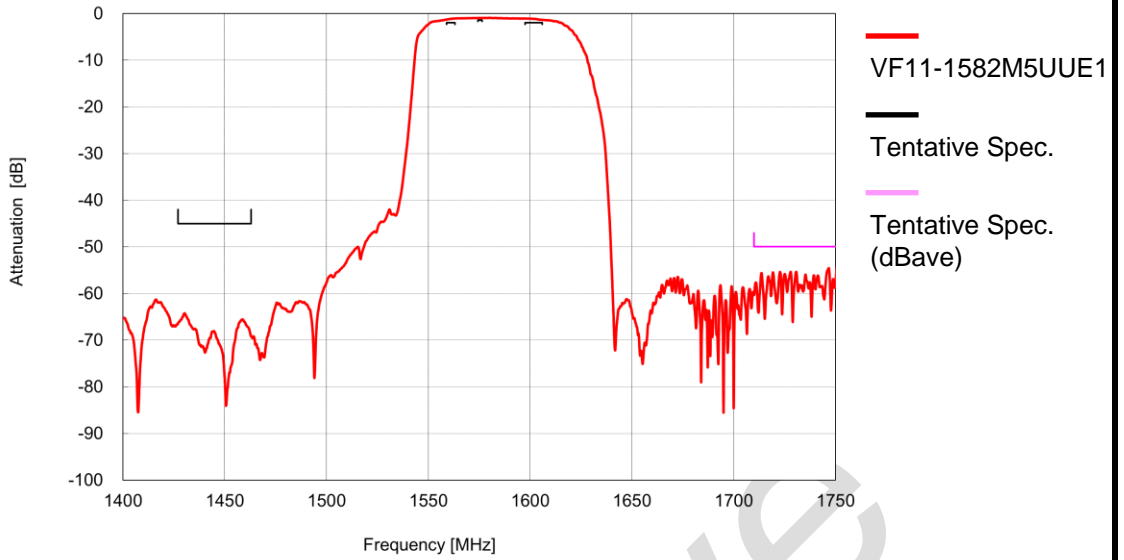
< Note > This specification may be subject to change.

Electrical Characteristics

Items	Frequency [MHz]	Unit	Kyocera Tentative Spec.			Note	
			min	typ	max		
Insertion Loss	1559.05 - 1563.15	dB	-	1.3	2.0		
	1574.39 - 1576.45	dB	-	1.0	1.4		
	1597.55 - 1605.89	dB	-	1.3	2.0		
VSWR	Input	1559.05 - 1605.89	-	-	1.4	2.0	
	Output	1559.05 - 1605.89	-	-	1.4	2.0	
GDT Ripple Deviation	1597.55 - 1605.89	ns	-	3.7	15		
Attenuation	10 - 699	dB	40	56	-		
	703 - 798	dB	45	56	-		
	814 - 915	dB	50	56	-	B26/ B8Tx	
	1427 - 1463	dB	45	65	-	B11/ B21	
	1710 - 1797	dB	50	57	-	B3Tx , Average any 5MHz	
	1850 - 1980	dB	45	52	-	B2Tx	
	2010 - 2570	dB	40	48	-	B34Tx/ B30Tx/ 2.4G ISM/ B7Tx	
	3300 - 4200	dB	30	49	-	N78/ N77	
	4400 - 5000	dB	27	49	-	N79	
5150 - 5950	dB	25	40	-	5G ISM		

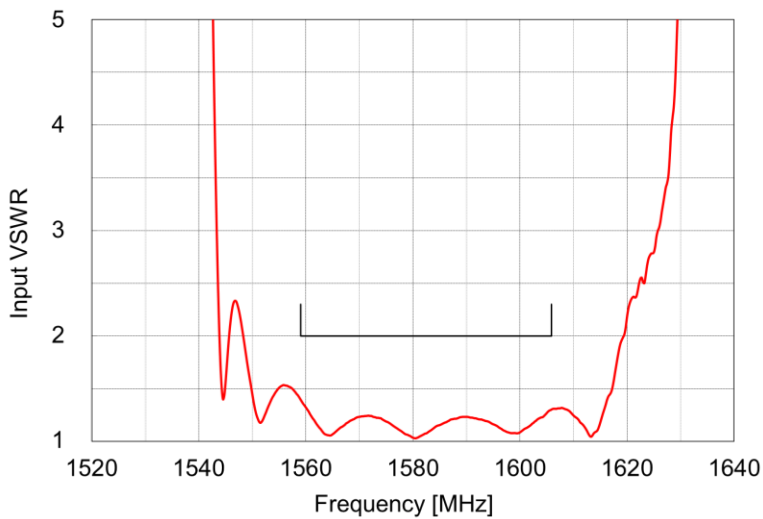
< Note > This specification may be subject to change.

Electrical Characteristics

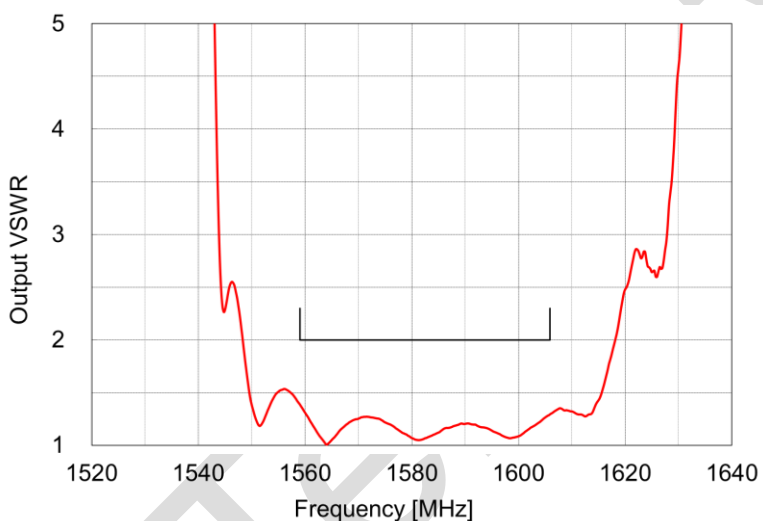
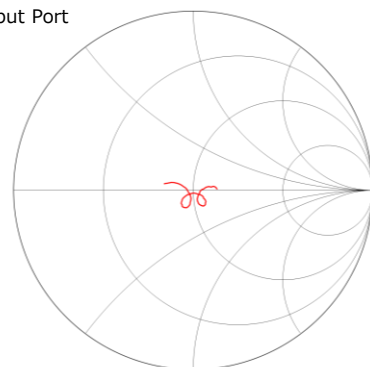


< Note > This specification may be subject to change.

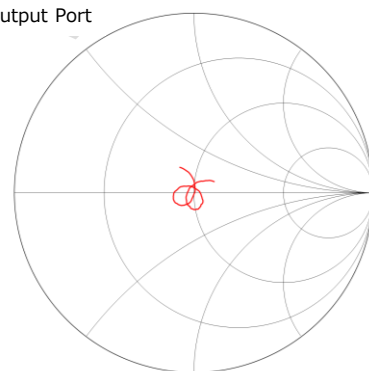
Electrical Characteristics



Input Port



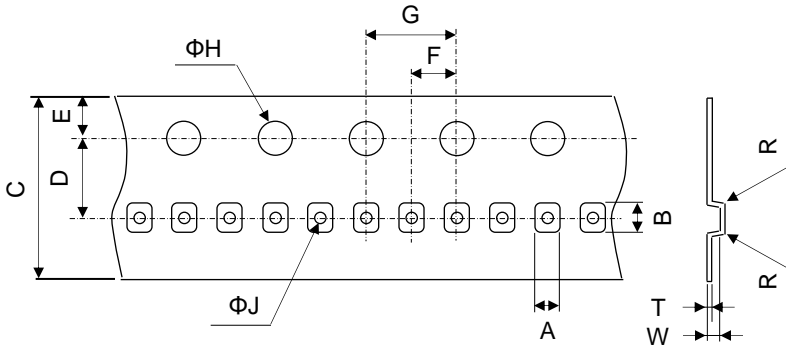
Output Port



< Note > This specification may be subject to change.

Tape & Reel Specification

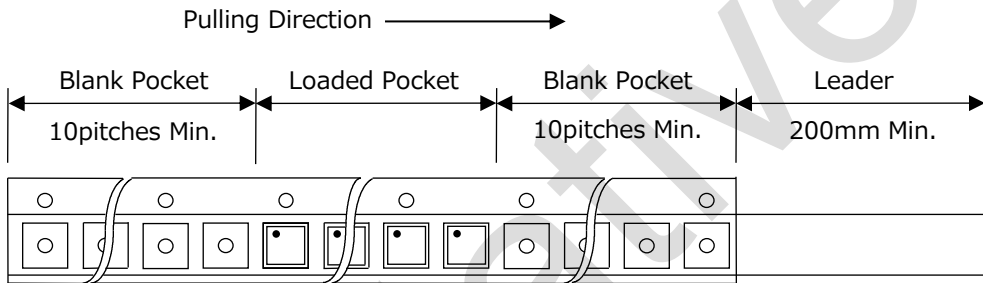
[Tape]



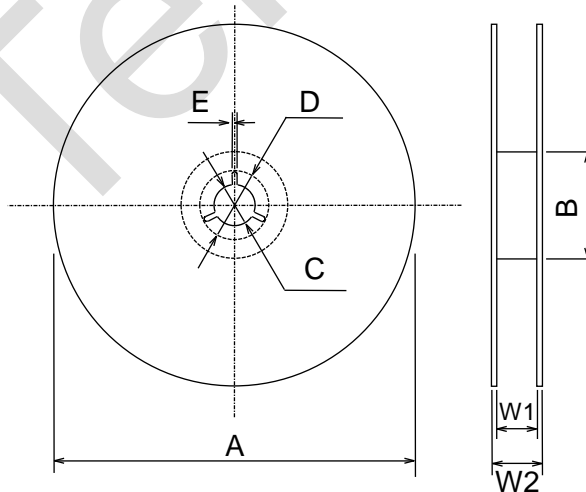
Unit : mm

Part	Dimension
A	1.1±0.05
B	1.3±0.05
C	8.0±0.1
D	3.5±0.05
E	1.75±0.1
F	2.0±0.05
G	4.0±0.05
φH	1.5+0.1/-0
φJ	0.50±0.05
R	0.1 Max
W	0.60±0.05
T	0.20+0.03/-0.02

W : Dimension is depth of pockets.



[Reel]



Part	A	B	C	D	Unit : mm
Dimension	180 +0/-1.5	60 +1.0/-0	13 ±0.2	21 ±0.8	
Part	E	W1	W2		
Dimension	2 ±0.5	9.0 +1.0/-0	11.4 ±1.0		

< Note > This specification may be subject to change.

Notice

1. Characteristics described in this datasheet are for references specifications shall be based on written documents agreed by each party.
2. Contents in this datasheet are subject to change without notice. It is recommended to confirm the latest information at the time of usage. Also, this datasheet is revised once a year. We may not be able to accept requests based on old datasheets.
3. Products in this datasheet are intended to be used in general electronic equipment such as office equipment, audio and visual equipment, communication equipment, measurement instrument and home appliances. It is absolutely recommended to consult with our sales representatives in advance upon planning to use our products in applications which require extremely high quality and reliability such as aircraft and aerospace equipment, traffic systems, safety systems, power plant and medical equipment including life maintenance systems.
4. Even though we strive for improvements of quality and reliability of products, it is requested to design with enough safety margin in equipment or systems in order not to threaten human lives directly or damage human bodies or properties by an accidental result of products.
5. It is requested to design based on guaranteed specifications for such as maximum ratings, operating voltage and operating temperature. It is not the scope of our guarantee for unsatisfactory results due to misuse or inadequate usage of products in the datasheet.
6. Operation summaries and circuit examples in this datasheet are intended to explain typical operation and usage of the product. It is recommended to perform circuit and assembly design considering surrounding conditions upon using products in this datasheet.
7. Technical information described in this datasheet is meant to explain typical operations and applications of products, and it is not intended to guarantee or license intellectual properties or other industrial rights of the third party or Kyocera.
8. Trademarks, logos and brand names used in this datasheet are owned by Kyocera or the corresponding third party.
9. Certain products in this datasheet are subject to the Foreign Exchange and Foreign Trade Control Act of Japan, and require the license from Japanese Government upon exporting the restricted products and technical information under the law. Besides, it is requested not to use products and technical information in the datasheet for the development and/or manufacture of weapons of mass destruction or other conventional weapons, nor to provide them to any third party with the possibility of having such purposes.
10. It is prohibited to reprint and reproduce a part or whole of this datasheet without permission.

< Note > This specification may be subject to change.