

Datasheet of SAW Duplexer

2520 Band40TRx filter for Base station

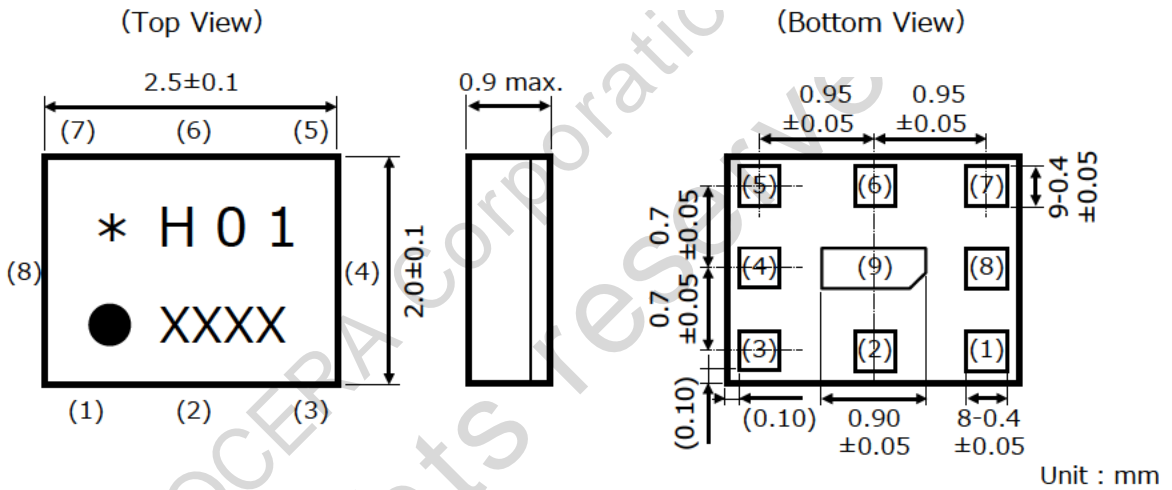
KYOCERA Part No. : SF25-2345R9UUA1

KYOCERA Corporation
All rights reserved

Rating

Items	Rating	Unit	Note
Operating Temperature Range	-40 to +95	deg.C	
Storage Temperature Range	-40 to +125	deg.C	Product only
Max Input Power	Tx Port: 30	dBm	Average LTE 5MHz(PAR=8dB) 10Years@75°C
Ant Port Nominal Impedance	50 // La(4.5nH)	ohm	Unbalance
Tx Port Nominal Impedance	50 // Lt(6.8nH)	ohm	Unbalance

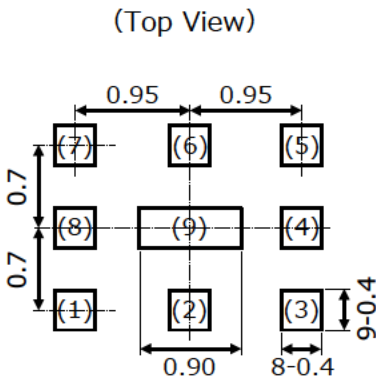
Dimensions



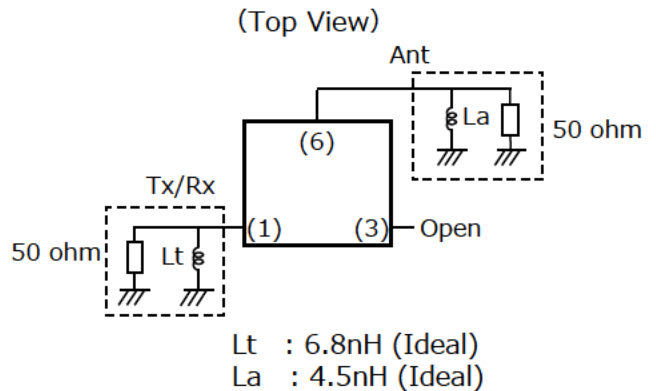
- * : Identification mark
- H01 : Identification no.
- : Index mark of pin 1
- XXXX : Production code

Pin No.	Function
(1)	Input(Tx/Rx)
(3)	Open
(6)	Output(Ant)
Others	GND

Recommendable Land Pattern



Measurement Circuit

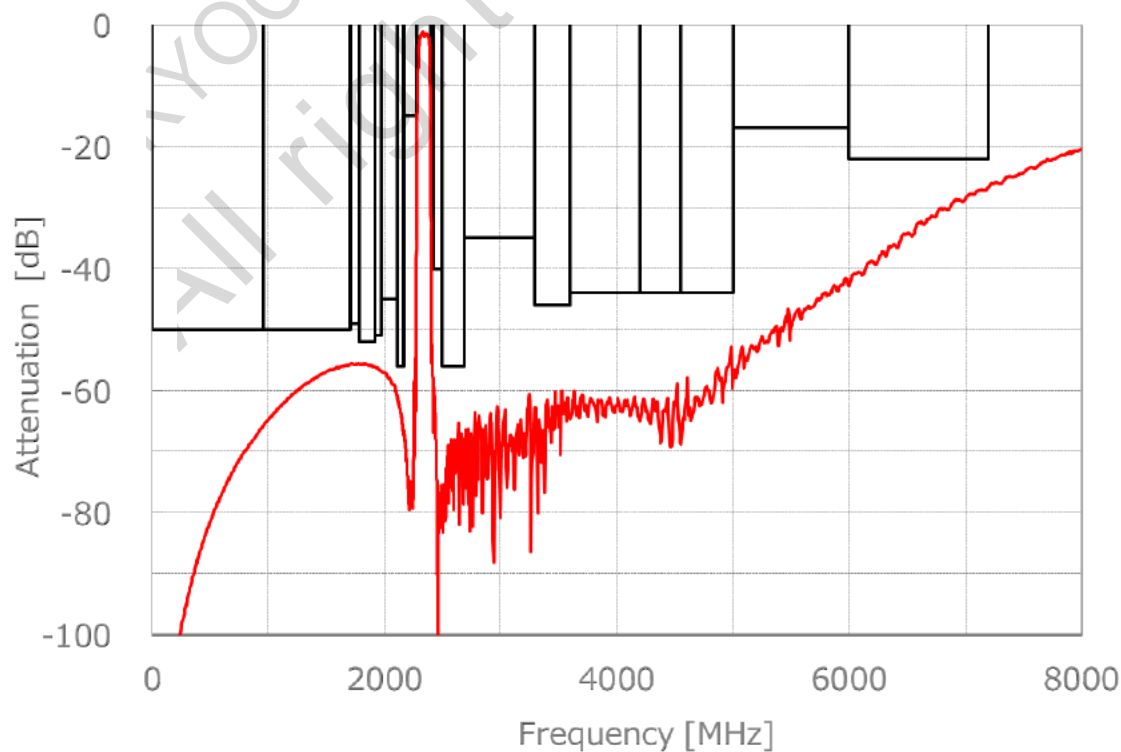
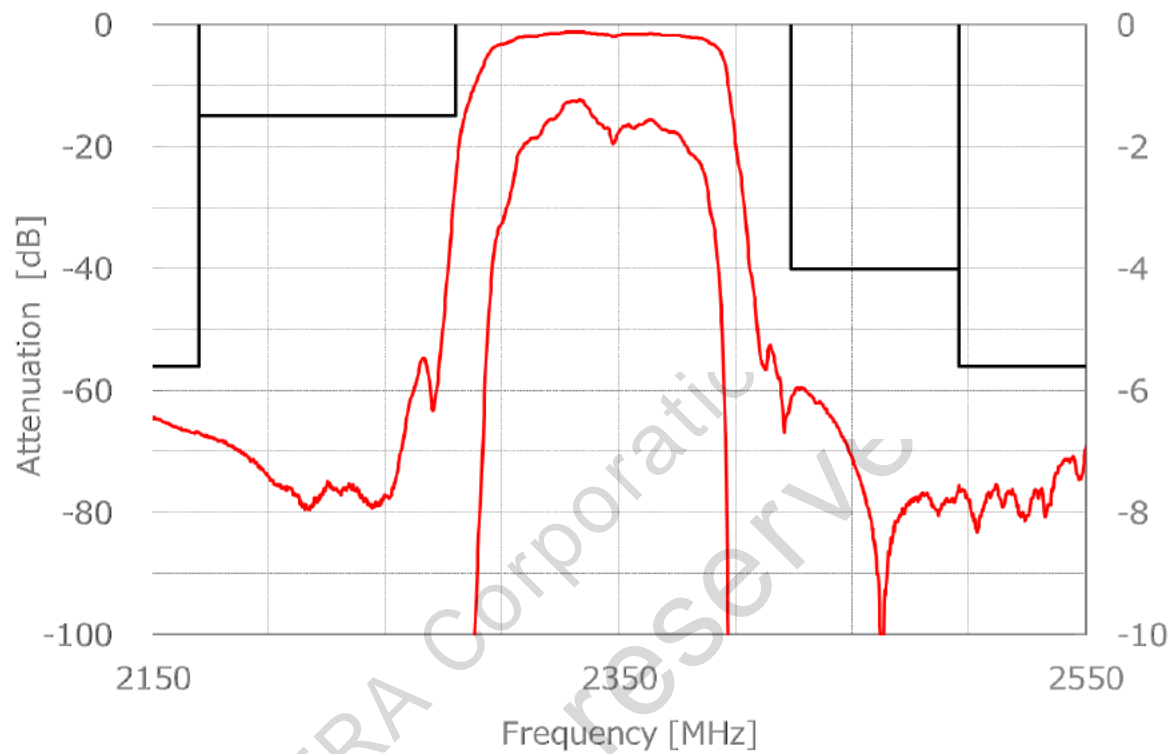


Electrical Characteristics

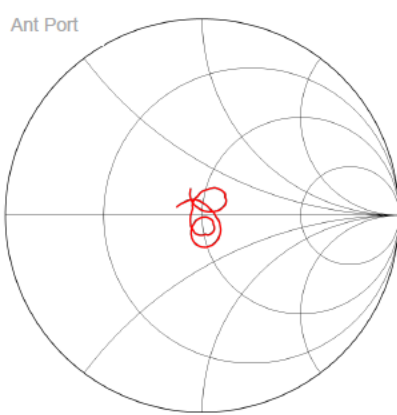
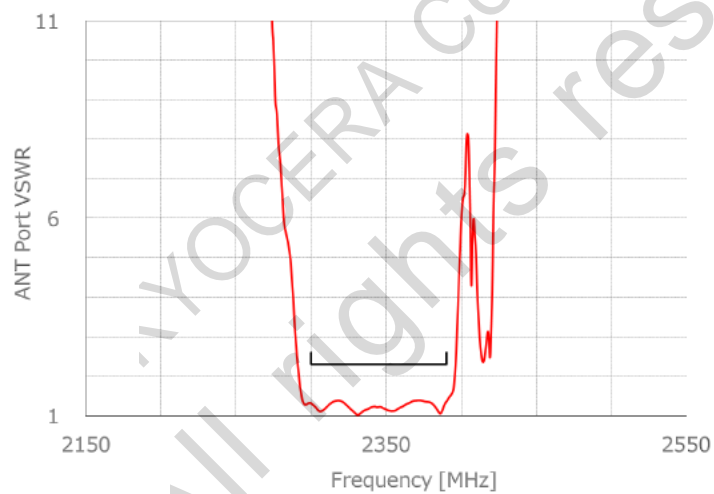
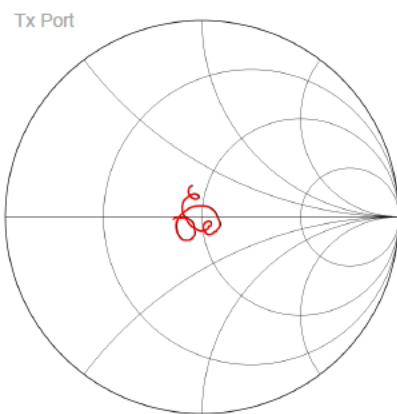
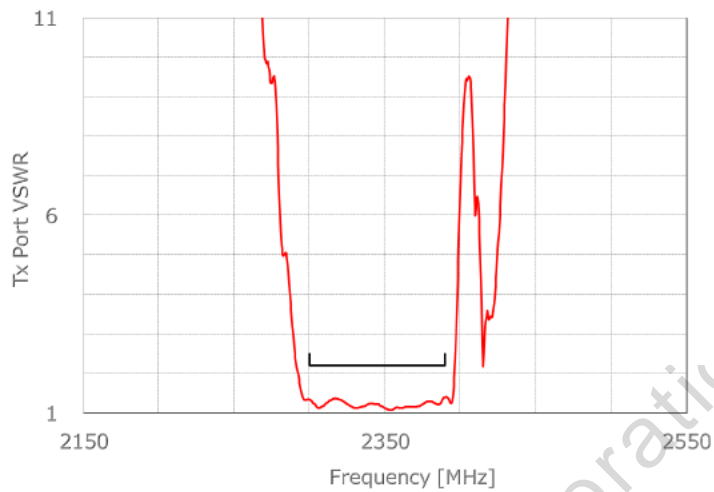
Items		Frequency (MHz)	Unit	Specification			Notes	
				min.	typ.	max.		
TX to ANT	Insertion Loss	2300 - 2380	dB	-	1.8	3.0	Average over any 40MHz	
		2380 - 2390	dB	-	2.4	4.5	Average over any 10MHz	
	Ripple	2300 - 2380	dB	-	2.0	3.0	-20 to +80 deg.C	
		2380 - 2390	dB	-	2.0	5.5	-20 to +80 deg.C	
		2320 - 2370	dB	-	0.7	2.8	-40 to +95 deg.C	
	VSWR	Tx	2300 - 2390	-	-	1.4	2.2	
		Ant	2300 - 2390	-	-	1.4	2.3	
	Attenuation		0.009 - 960	dB	50	66	-	
			960 - 1710	dB	50	56	-	
			1710 - 1785	dB	49	56	-	
			1785 - 1920	dB	52	56	-	
			1920 - 1980	dB	51	56	-	
			1980 - 2110	dB	45	57	-	
			2110 - 2170	dB	56	61	-	
			2170 - 2280	dB	15	26	-	
			2402 - 2424	dB	19	42	-	Average over any 22MHz -30 to +95 deg.C
			2424 - 2496	dB	40	60	-	
			2496 - 2690	dB	56	66	-	
			2690 - 3300	dB	35	61	-	
			3300 - 3600	dB	46	60	-	
	3600 - 4200	dB	44	60	-			
	4200 - 4550	dB	44	59	-			
	4550 - 5000	dB	44	53	-			
	5000 - 6000	dB	17	42	-			
	6000 - 7200	dB	22	27	-			

Electrical Characteristics

[Ant ro Rx]

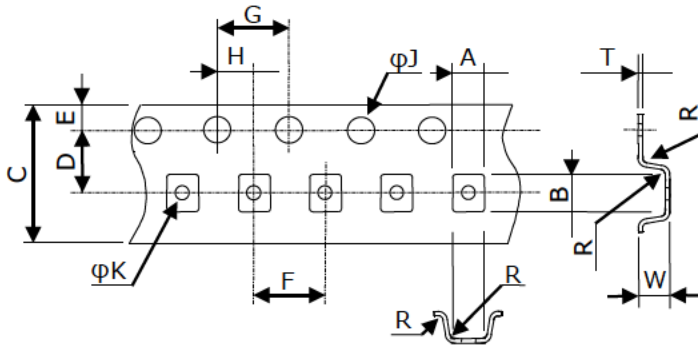


Electrical Characteristics



Tape & Reel Specification

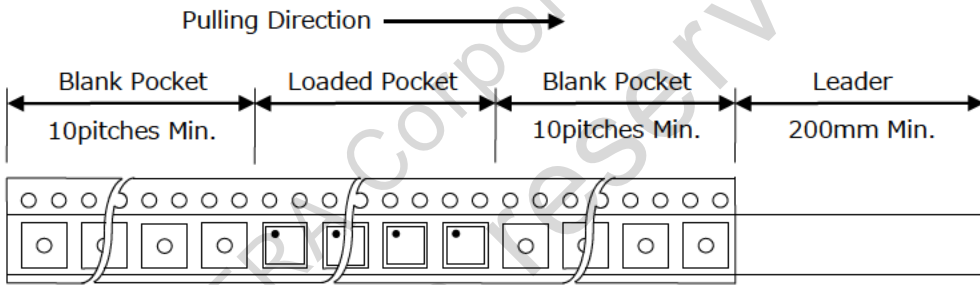
[Tape]



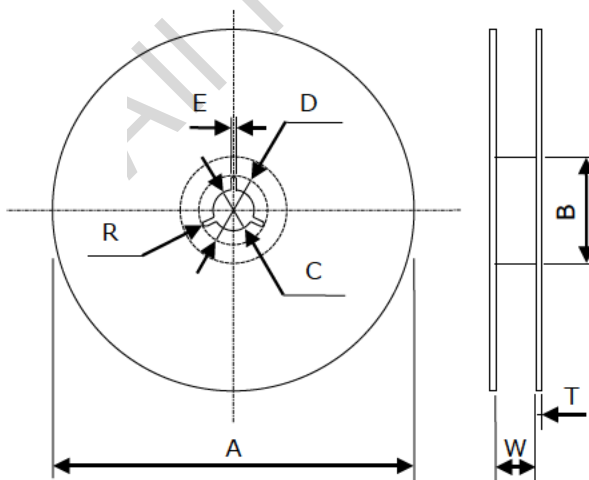
Unit : mm

Part	Dimension
A	2.3±0.1
B	2.8±0.1
C	8.0±0.1
D	3.50±0.05
E	1.75±0.10
F	4.0±0.1
G	4.0±0.1
H	2.00±0.05
φJ	1.5±0.1
φK	1.0±0.1
R	0.3 Max
W	0.9±0.1
T	0.20±0.05

W : Dimension is depth of pockets.



[Reel]



Unit : mm

Part	Dimension
A	178 ± 2
B	60 ± 2
C	13.0 ± 0.2
D	21.0 ± 0.8
E	2.0 ± 0.5
R	1
W	9.5 ± 1.0
T	2.0 ± 0.2

Notice

1. Characteristics described in this datasheet are for references specifications shall be based on written documents agreed by each party.
2. Contents in this datasheet are subject to change without notice. It is recommended to confirm the latest information at the time of usage. Also, this datasheet is revised once a year. We may not be able to accept requests based on old datasheets.
3. Products in this datasheet are intended to be used in general electronic equipment such as office equipment, audio and visual equipment, communication equipment, measurement instrument and home appliances. It is absolutely recommended to consult with our sales representatives in advance upon planning to use our products in applications which require extremely high quality and reliability such as aircraft and aerospace equipment, traffic systems, safety systems, power plant and medical equipment including life maintenance systems.
4. Even though we strive for improvements of quality and reliability of products, it is requested to design with enough safety margin in equipment or systems in order not to threaten human lives directly or damage human bodies or properties by an accidental result of products.
5. It is requested to design based on guaranteed specifications for such as maximum ratings, operating voltage and operating temperature. It is not the scope of our guarantee for unsatisfactory results due to misuse or inadequate usage of products in the datasheet.
6. Operation summaries and circuit examples in this datasheet are intended to explain typical operation and usage of the product. It is recommended to perform circuit and assembly design considering surrounding conditions upon using products in this datasheet.
7. Technical information described in this datasheet is meant to explain typical operations and applications of products, and it is not intended to guarantee or license intellectual properties or other industrial rights of the third party or Kyocera.
8. Trademarks, logos and brand names used in this datasheet are owned by Kyocera or the corresponding third party.
9. Certain products in this datasheet are subject to the Foreign Exchange and Foreign Trade Control Act of Japan, and require the license from Japanese Government upon exporting the restricted products and technical information under the law. Besides, it is requested not to use products and technical information in the datasheet for the development and/or manufacture of weapons of mass destruction or other conventional weapons, nor to provide them to any third party with the possibility of having such purposes.
10. It is prohibited to reprint and reproduce a part or whole of this datasheet without permission.