

Datasheet of SAW Duplexer 2520 Band28 for Base station

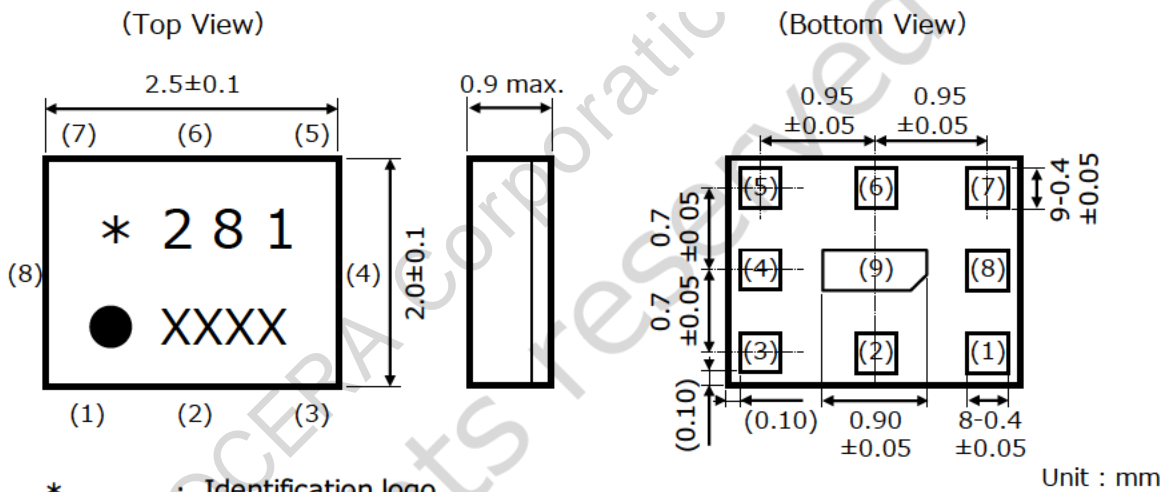
KYOCERA Part No. : SD25 0780R9UUA1

KYOCERA Corporation
All rights reserved

Rating

Items	Rating	Unit	Note
Operating Temperature Range	-40 to +95	deg.C	
Storage Temperature Range	-40 to +95	deg.C	
Max Input Power (Tx port)	+27	dBm	LTE 5MHz (PAR=6.95dB) 10 years @85deg.C
Tx Port Nominal Impedance	50+3.0nH	ohm	Unbalance
Ant. Port Nominal Impedance	50//10nH	ohm	Unbalance
Rx Port Nominal Impedance	50+10nH	ohm	Unbalance

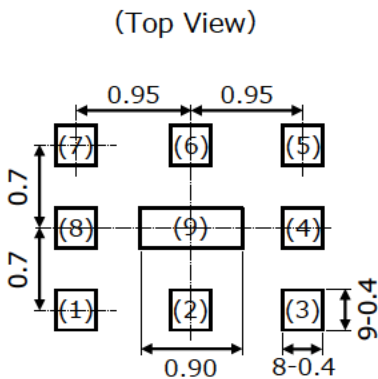
Dimensions



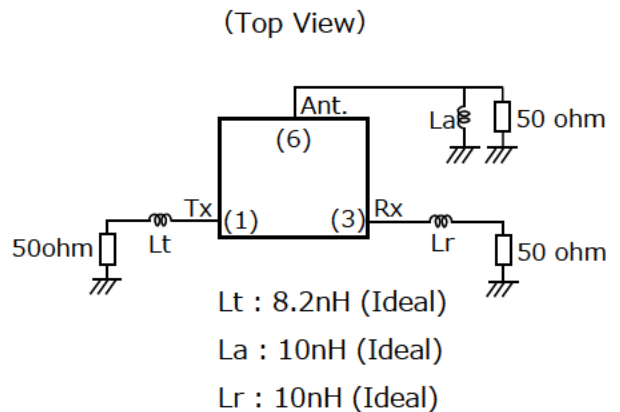
- * : Identification logo
- 281 : Identification no.
- : Index mark of pin 1
- XXXX : Production code

Pin No.	Function
(1)	Tx
(3)	Rx
(6)	Ant.
Others	GND

Recommendable Land Pattern



Measurement Circuit

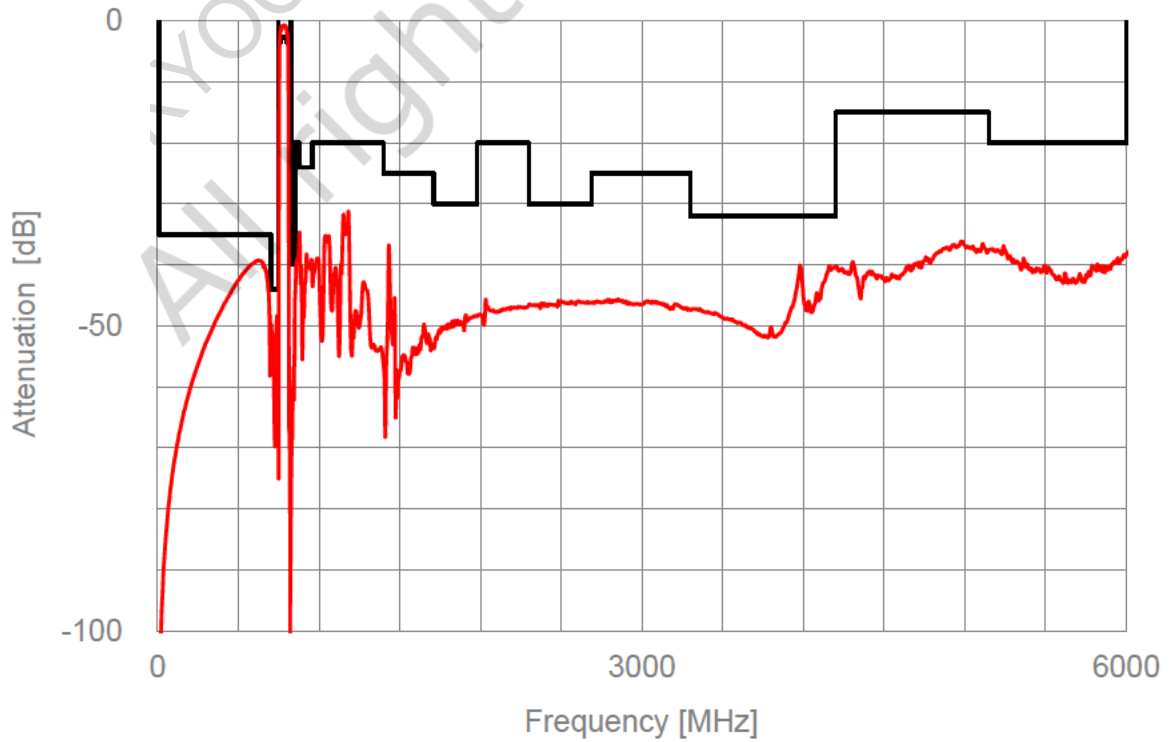
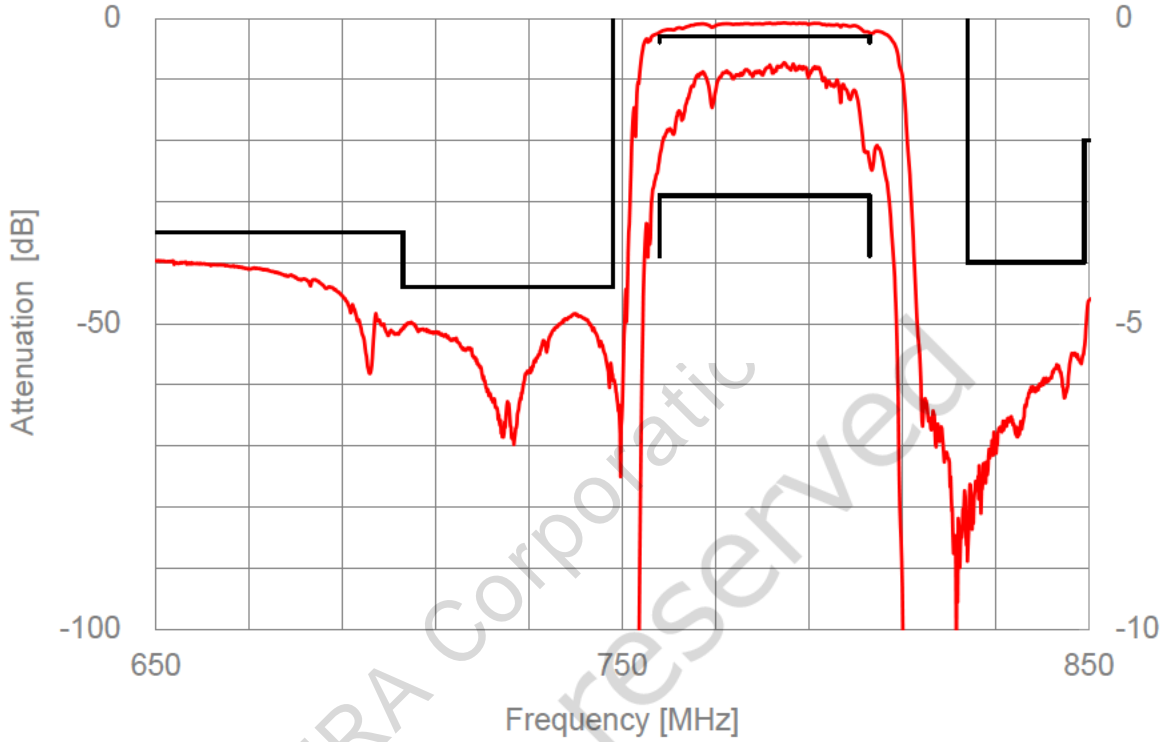


Electrical Characteristics

ITEMS		Frequency (MHz)	Characteristics			Unit	Note	
			min.	typ.	max.			
Tx to Ant	Insertion Loss	758 - 803	-	1.7	2.9	dB	Average over any 5MHz	
	Ripple	758 - 803	-	1.9	2.9	dB		
	VSWR	Tx	758 - 803	-	1.6	2.3	-	
		Ant.	758 - 803	-	1.6	2.3	-	
	Attenuation		10 - 703	35	39	-	dB	
			703 - 748	44	48	-	dB	
			824 - 849	40	55	-	dB	
			849 - 880	20	35	-	dB	
			880 - 960	24	35	-	dB	
			960 - 1400	20	31	-	dB	
			1400 - 1710	25	34	-	dB	
			1710 - 1980	30	48	-	dB	
			1980 - 2300	20	46	-	dB	
			2300 - 2690	30	46	-	dB	
	2690 - 3300	25	46	-	dB			
	3300 - 4200	32	39	-	dB			
4200 - 5150	15	36	-	dB				
5150 - 6000	20	37	-	dB				
Ant to Rx	Insertion Loss	703 - 748	-	1.4	2.6	dB	Average Over any 5MHz	
	Ripple	703 - 748	-	1.4	3.2	dB		
	VSWR	Rx	703 - 748	-	1.8	2.2	-	
		Ant.	703 - 748	-	1.7	2.2	-	
	Attenuation		10 - 683	25	28	-	dB	
			758 - 803	31	43	-	dB	
			803 - 960	17	26	-	dB	
			960 - 1805	17	23	-	dB	
			1805 - 1880	29	32	-	dB	
			1880 - 2110	24	28	-	dB	
			2110 - 2690	26	30	-	dB	
			2690 - 3300	24	29	-	dB	
			3300 - 4200	21	24	-	dB	
4200 - 5150			15	26	-	dB		
5150 - 6000	17	30	-	dB				
Tx to Rx	Isolaion	703 - 748	46	50	-	dB	Average over any 5MHz	
		758 - 803	35	50	-	dB	Average over any 5MHz	

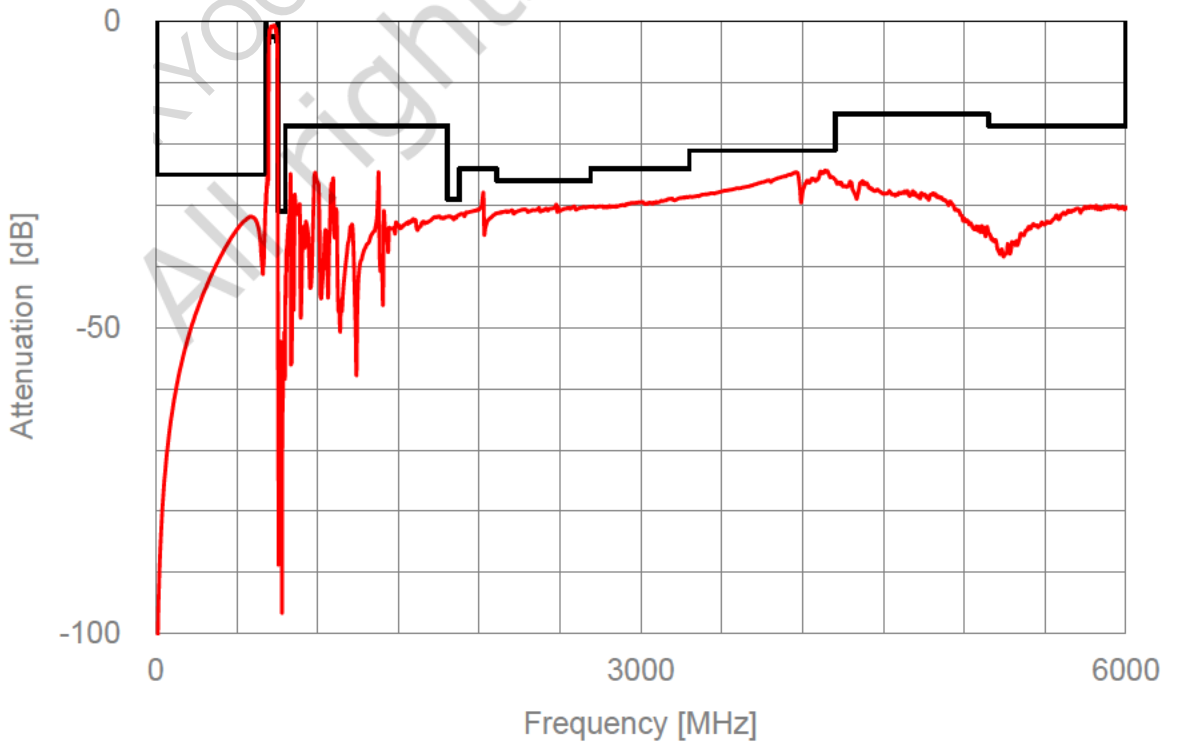
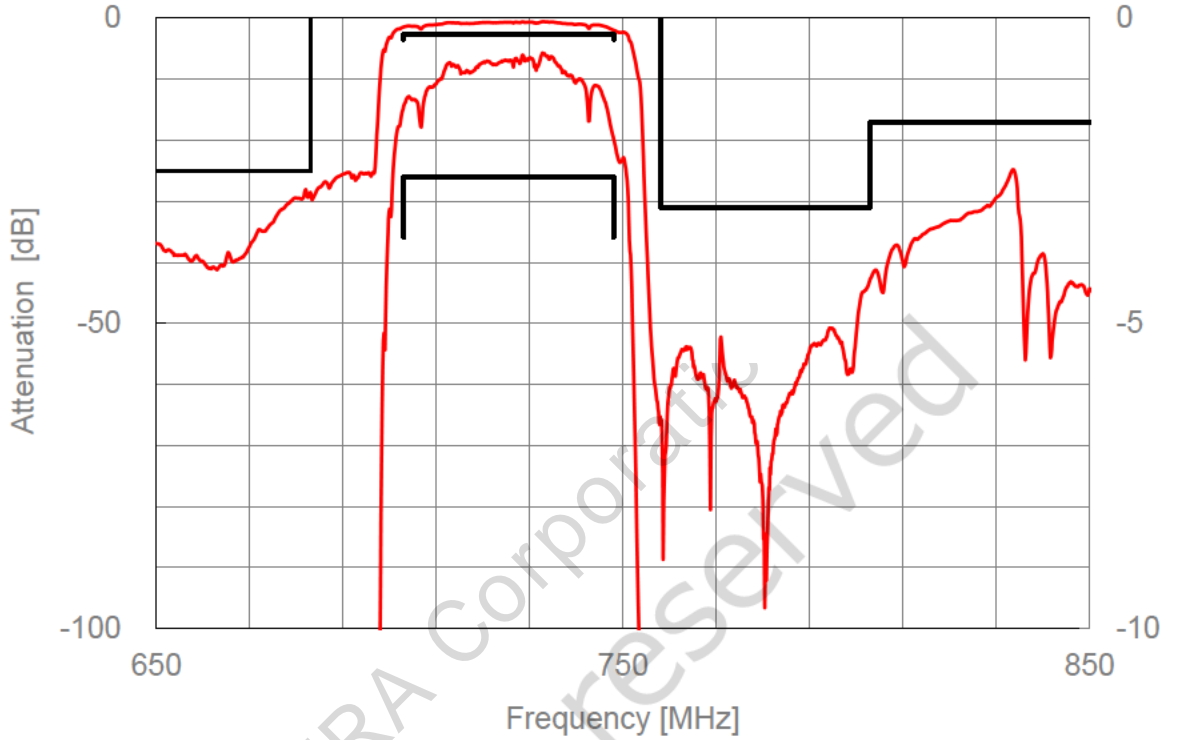
Electrical Characteristics

[Tx to Ant]



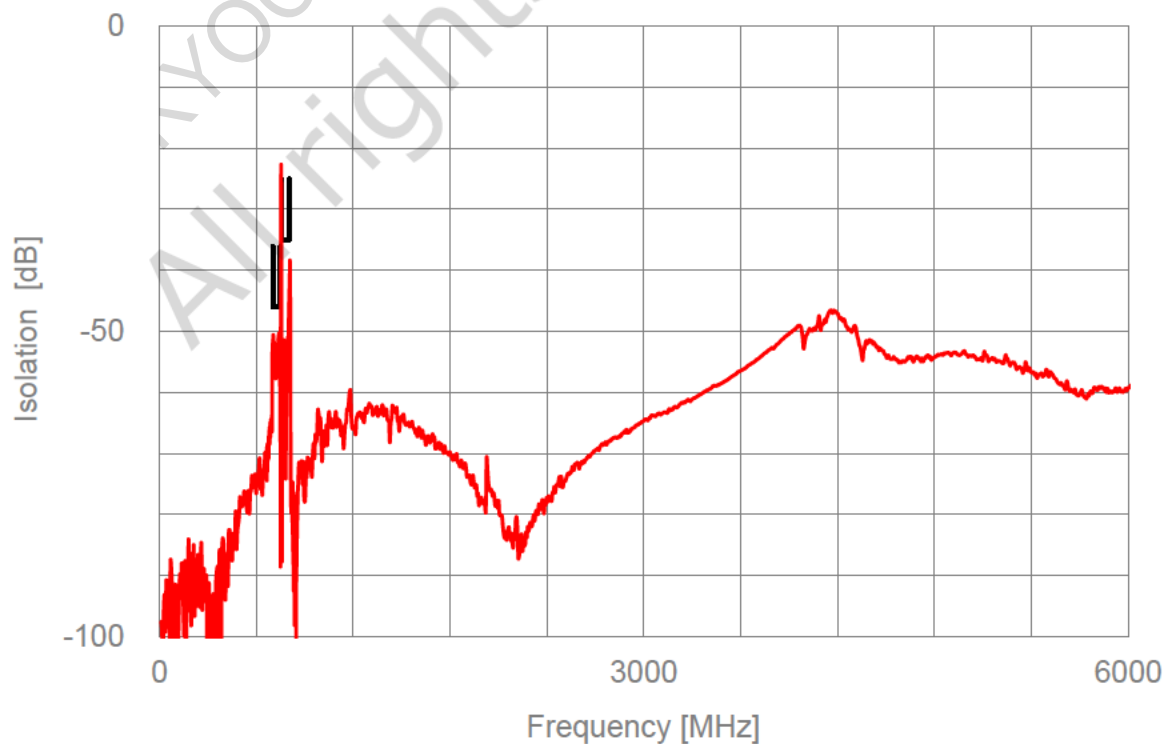
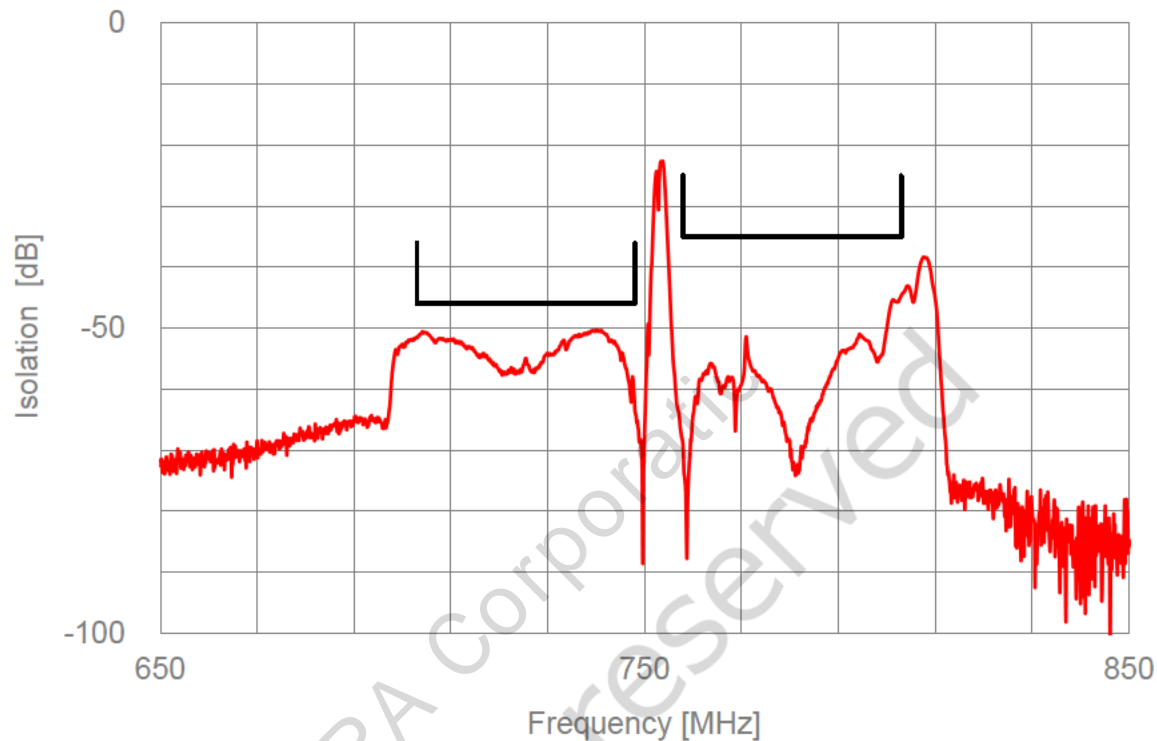
Electrical Characteristics

[Ant to Rx]

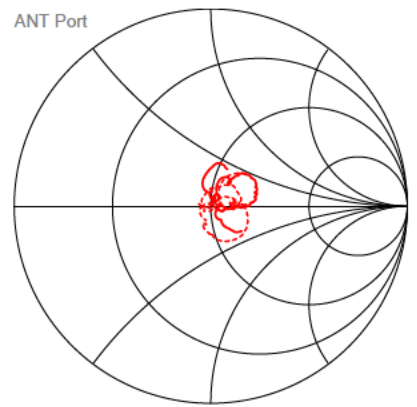
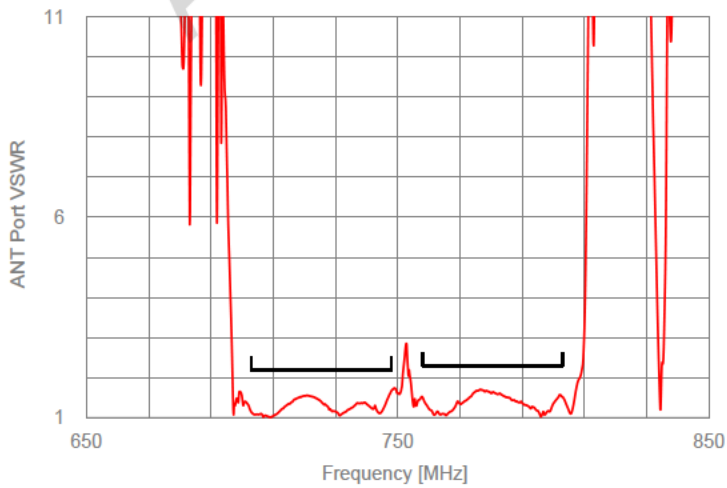
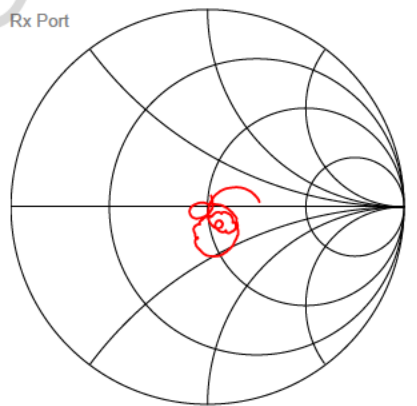
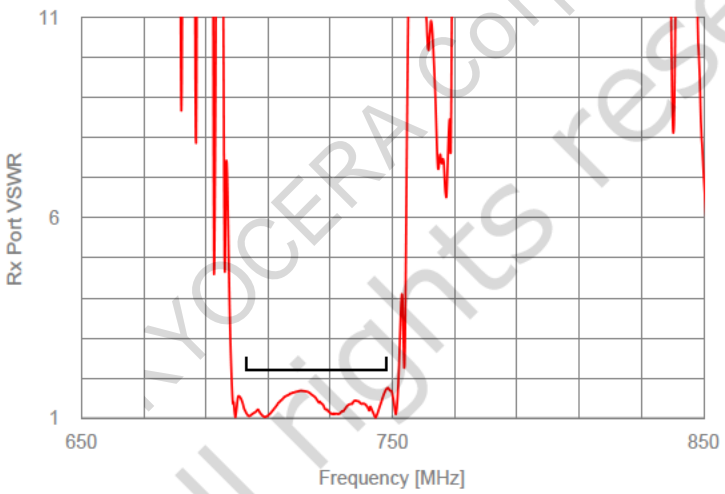
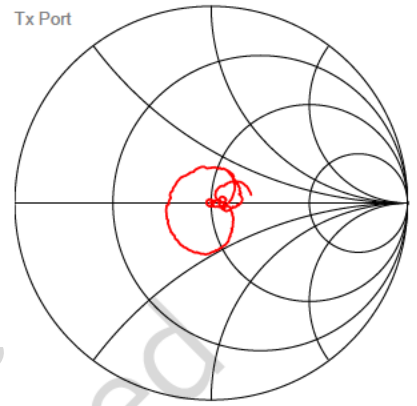
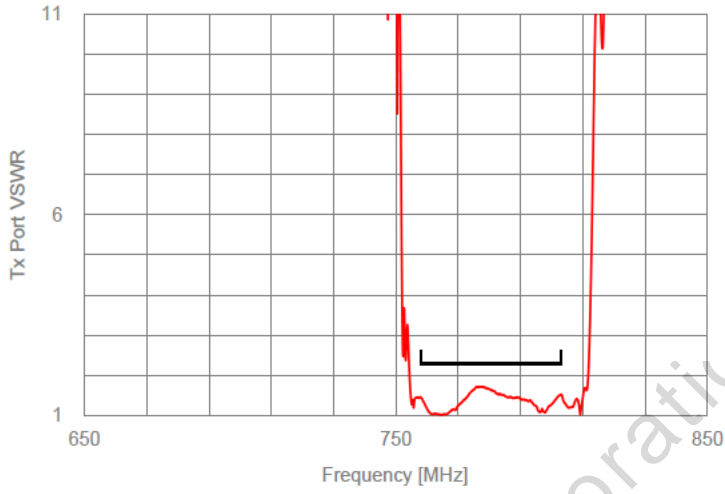


Electrical Characteristics

[Tx to Rx]

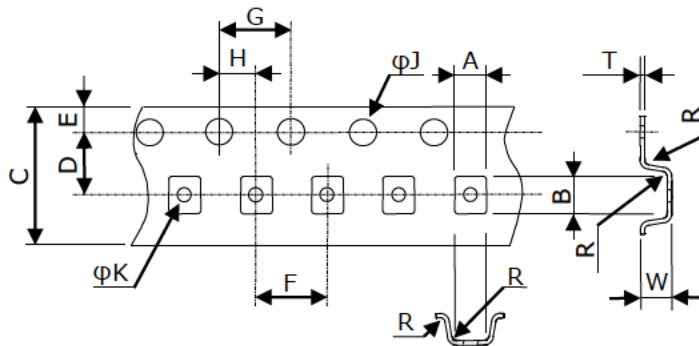


Electrical Characteristics



Tape & Reel Specification

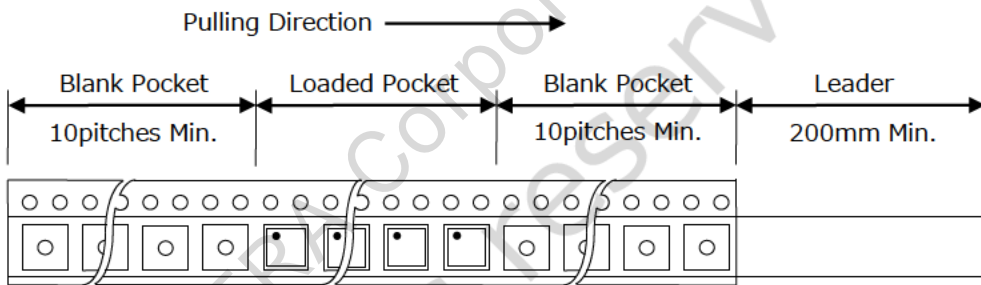
[Tape]



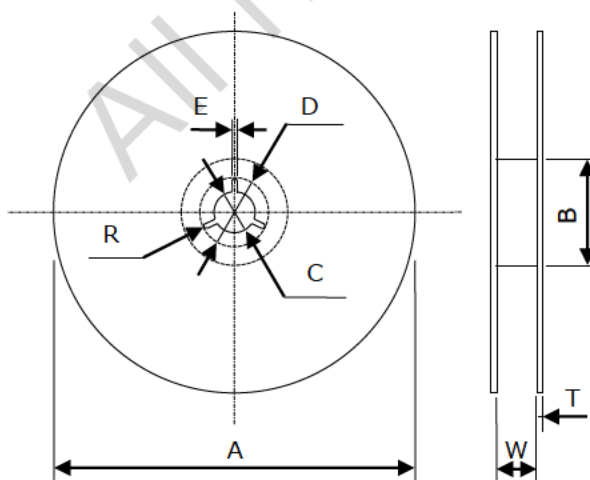
Unit : mm

Part	Dimension
A	2.3±0.1
B	2.8±0.1
C	8.0±0.1
D	3.50±0.05
E	1.75±0.10
F	4.0±0.1
G	4.0±0.1
H	2.00±0.05
φJ	1.5±0.1
φK	1.0±0.1
R	0.3 Max
W	0.9±0.1
T	0.20±0.05

W : Dimension is depth of pockets.



[Reel]



Unit : mm

Part	Dimension
A	178 ± 2
B	60 ± 2
C	13.0 ± 0.2
D	21.0 ± 0.8
E	2.0 ± 0.5
R	1
W	9.5 ± 1.0
T	2.0 ± 0.2

Notice

1. Characteristics described in this datasheet are for references specifications shall be based on written documents agreed by each party.
2. Contents in this datasheet are subject to change without notice. It is recommended to confirm the latest information at the time of usage. Also, this datasheet is revised once a year. We may not be able to accept requests based on old datasheets.
3. Products in this datasheet are intended to be used in general electronic equipment such as office equipment, audio and visual equipment, communication equipment, measurement instrument and home appliances. It is absolutely recommended to consult with our sales representatives in advance upon planning to use our products in applications which require extremely high quality and reliability such as aircraft and aerospace equipment, traffic systems, safety systems, power plant and medical equipment including life maintenance systems.
4. Even though we strive for improvements of quality and reliability of products, it is requested to design with enough safety margin in equipment or systems in order not to threaten human lives directly or damage human bodies or properties by an accidental result of products.
5. It is requested to design based on guaranteed specifications for such as maximum ratings, operating voltage and operating temperature. It is not the scope of our guarantee for unsatisfactory results due to misuse or inadequate usage of products in the datasheet.
6. Operation summaries and circuit examples in this datasheet are intended to explain typical operation and usage of the product. It is recommended to perform circuit and assembly design considering surrounding conditions upon using products in this datasheet.
7. Technical information described in this datasheet is meant to explain typical operations and applications of products, and it is not intended to guarantee or license intellectual properties or other industrial rights of the third party or Kyocera.
8. Trademarks, logos and brand names used in this datasheet are owned by Kyocera or the corresponding third party.
9. Certain products in this datasheet are subject to the Foreign Exchange and Foreign Trade Control Act of Japan, and require the license from Japanese Government upon exporting the restricted products and technical information under the law. Besides, it is requested not to use products and technical information in the datasheet for the development and/or manufacture of weapons of mass destruction or other conventional weapons, nor to provide them to any third party with the possibility of having such purposes.
10. It is prohibited to reprint and reproduce a part or whole of this datasheet without permission.