

Temperature Compensated Crystal Oscillators (TCXO, VCTCXO)

Find TCXO Here



Surface Mount Type TCXO KT2016K Series

2.0 × 1.6mm



AEC-Q100/200 **RoHS Compliant**
 *AEC-Q100 qualified (Option) **PSL: R4Y** **MSL1**

Features

- Miniature SMD type (2.0 × 1.6 × 0.8mm)
- Freq. temp. characteristics:
 : ± 2.0 × 10⁻⁶ / -30 to +85° C
 : ± 0.5 × 10⁻⁶ / -30 to +85° C (for GNSS)
- 1.68 to 3.63V available
- Reflow compatible
- Operating Temp. -40 to +105° C (Option)
- Disable Function (Option)

Applications

- Mobile Communications, W-LAN
- Low power radio communications
- GNSS Unit

How to Order

KT2016K 26000 □ □ □ □ □ **XX**
 ① ② ③ ④ ⑤ ⑥ ⑦ ⑧

- ① Series
 - ② Output Frequency
 - ③ Freq. Temp. Chrst.
 - ④ Lower Operating Temp.
 - ⑤ Upper Operating Temp.
 - ⑥ Supply Voltage
 - ⑦ Voltage Control Function
 - ⑧ Individual Specification
- | | |
|---|--------------------------|
| A | ± 0.5 × 10 ⁻⁶ |
| B | ± 1.0 × 10 ⁻⁶ |
| C | ± 1.5 × 10 ⁻⁶ |
| D | ± 2.0 × 10 ⁻⁶ |
- | | | | |
|----|------|----|------|
| 18 | 1.8V | 28 | 2.8V |
| 30 | 3.0V | 33 | 3.3V |
- | | |
|-------------|--------|
| T | TCXO |
| Spec. Code* | VCTCXO |
- | | |
|---|--------|
| C | -30° C |
| E | -20° C |
| G | -10° C |
- | | |
|---|--------|
| W | +85° C |
| V | +80° C |
| U | +75° C |

Packaging (Tape & Reel 15000 pcs./ reel)

Specifications

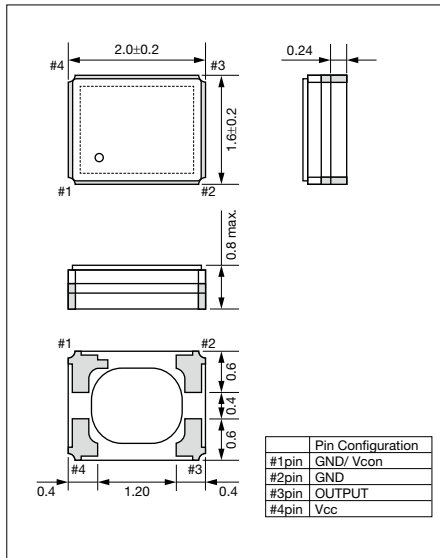
Item	Symbol	Conditions	Min.	Max.	Unit
Output Frequency Range	f _o	Standard Output Frequency: 19.2 / 26.0 / 32.0 / 38.4 / 48.0 / 52.0	19.2	52	MHz
Frequency Tolerance	f _{tol}	vs Temperature	-0.5/ -2	+0.5/ +2	× 10 ⁻⁶
		vs Load	-0.2	+0.2	
		vs Voltage	-0.2	+0.2	
Frequency Aging	f _{age}	Per Year	-1	+1	× 10 ⁻⁶
Storage Temperature Range	T _{stg}		-40	+85	° C
Operating Temperature Range	T _{use}		-30	+85	° C
Voltage Control Range	f _{cont}	Positive	± 8	± 15	× 10 ⁻⁶
Supply Voltage	V _{cc}		1.68	3.63	V
Output Level	V _{pp}	Clipped Sine*, Load: 10k ohm // 10pF	0.8	—	Vp-p
Current Consumption	I _{cc}		—	2	mA
Harmonics	—		—	-5	dBc

* : A DC-cut capacitor is not embedded in this crystal oscillator. Connect a DC-cut capacitor (≥ 1nF) to the line-out terminal of the oscillator.

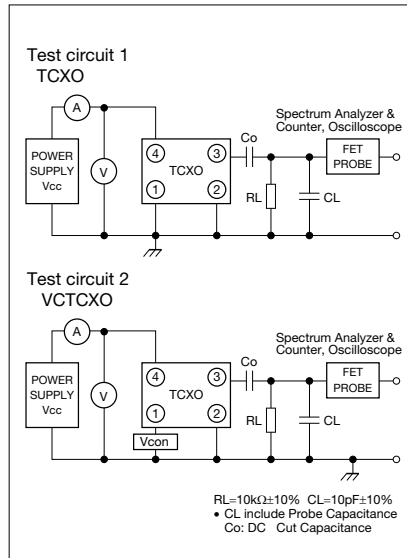
* Please contact us for other specifications.

Dimensions

(Unit: mm)

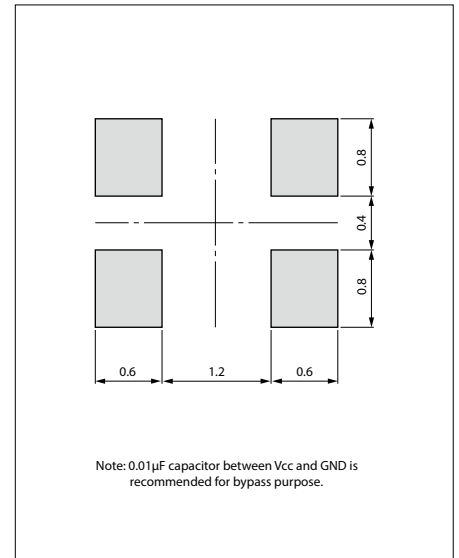


Test Circuit



Recommended Land Pattern

(Unit: mm)



Temperature Compensated Crystal Oscillators