



Surface Mount Type TCXO KT1612A Series

1.6 × 1.2mm



RoHS Compliant
PSL: R4Y MSL1

Features

- Ultra-miniature SMD type (1.65 × 1.25 × 0.55mm)
- Freq. temp. characteristics:
: ± 2.0 × 10⁻⁶ / -30 to +85° C
: ± 0.5 × 10⁻⁶ / -30 to +85° C (for GNSS)
- 1.68 to 3.63V drive available
- Reflow compatible
- Operating Temp. -40 to +105° C (Option)
- Disable Function (Option)

Applications

- Mobile Communications, W-LAN
- Low power radio communications
- GNSS Unit

How to Order

KT1612A 26000 □ □ □ □ □ □ □ □ **XX**
① ② ③ ④ ⑤ ⑥ ⑦ ⑧

① Series

② Output Frequency

③ Freq. Temp. Chrst.

A	± 0.5 × 10 ⁻⁶
B	± 1.0 × 10 ⁻⁶
C	± 1.5 × 10 ⁻⁶
D	± 2.0 × 10 ⁻⁶

④ Lower Operating Temp.

C	-30° C
E	-20° C
G	-10° C

⑤ Upper Operating Temp.

W	+85° C
V	+80° C
U	+75° C

⑥ Supply Voltage

18	1.8V	28	2.8V
30	3.0V	33	3.3V

⑦ Voltage Control Function

T	TCXO
Spec. Code*	VCTCXO

*Please contact us for Spec. Code.

⑧ Individual Specification

Packaging (Tape & Reel 18000 pcs./ reel)

Specifications

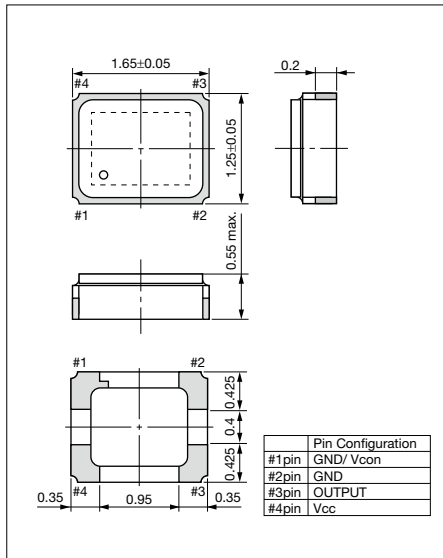
Item	Symbol	Conditions	Min.	Max.	Unit
Output Frequency Range	fo	Standard Output Frequency: 19.2 / 26.0 / 38.4 / 48.0 / 52.0 / 76.8	19.2	76.8	MHz
Frequency Tolerance	f _{tol}	vs Temperature	-0.5 / -2	+0.5 / +2	× 10 ⁻⁶
		vs Load	-0.2	+0.2	
		vs Voltage	-0.2	+0.2	
Frequency Aging	f _{age}	Per Year	-1	+1	× 10 ⁻⁶
Storage Temperature Range	T _{stg}		-40	+85	° C
Operating Temperature Range	T _{use}		-30	+85	° C
Voltage Control Range	f _{cont}	Positive	± 8	± 15	× 10 ⁻⁶
Supply Voltage	V _{cc}		1.68	3.63	V
Output Level	V _{pp}	Clipped Sine*, Load: 10k ohm // 10pF	0.8	—	V _{p-p}
Current Consumption	I _{cc}		—	2	mA
Harmonics	—		—	-5	dBc

*: A DC-cut capacitor is not embedded in this crystal oscillator. Connect a DC-cut capacitor (≥ 1nF) to the line-out terminal of the oscillator.

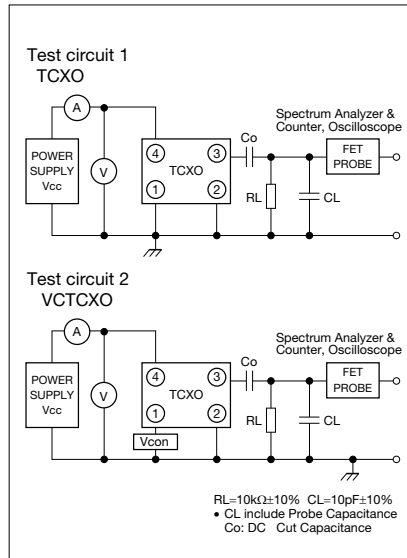
* Please contact us for other specifications.

Temperature Compensated Crystal Oscillators

Dimensions (Unit: mm)



Test Circuit



Recommended Land Pattern (Unit: mm)

