



## 1.6×1.2mm for Mobile Communications



RoHS Compliant

### Features

- Crystal Unit with Thermistor
- Reference frequency for telecommunication systems
- Reflow compatible
- Using ceramic package resulting in high reliability

### Applications

- Mobile Communications, GNSS

### How to Order

CT1612RB 38400 □□ □ □ □ □  
① ② ③ ④ ⑤ ⑥ ⑦

①Series

②Frequency

③Load Capacitance

④Frequency Tolerance

B0	6 pF	—	F	±10×10 <sup>-6</sup>	Std.
C0	7 pF	—	G	±15×10 <sup>-6</sup>	—
D0	8 pF	Std.			

⑤Operating Temp. Range ⑥Frequency Temp. Stability

LH	-30 to +85°C	±12×10 <sup>-6</sup> (at -30 to +85°C)
----	--------------	--

⑦Individual Specification

Packaging (Tape & Reel 15000 pcs./ reel)

### Specifications

Item	Symbol	Specification	Unit	Remarks
Frequency Range	f <sub>nom</sub>	38400 to 76800	kHz	
Overtone Order	OT	Fundamental	—	
Load Capacitance	CL	8	pF	Please contact us for other CL requirements.
Frequency Tolerance	f <sub>tol</sub>	±10	×10 <sup>-6</sup>	25°C±3°C
Motional Series Resistance	R1	Table 1	ohm	
Drive Level	DL	10	μW	100μW max.
Operating Temp. Range	T <sub>use</sub>	-30 to +85	°C	
Storage Temp. Range	T <sub>stg</sub>	-40 to +105	°C	
Frequency Temp. Characteristics	f <sub>tem</sub>	±12	×10 <sup>-6</sup>	
Thermistor Resistance	—	Table 2	ohm	25°C±3°C
Thermistor B-Constant	—	Table 3	K	25°C to 50°C

Please contact us for other specifications.

Table 1 Motional Series Resistance

Frequency Range	Motional Series Resistance
38400 to 76800kHz	50 Ω max.

Table 2 Thermistor Resistance

Resistance	Specification
100kΩ	±1%

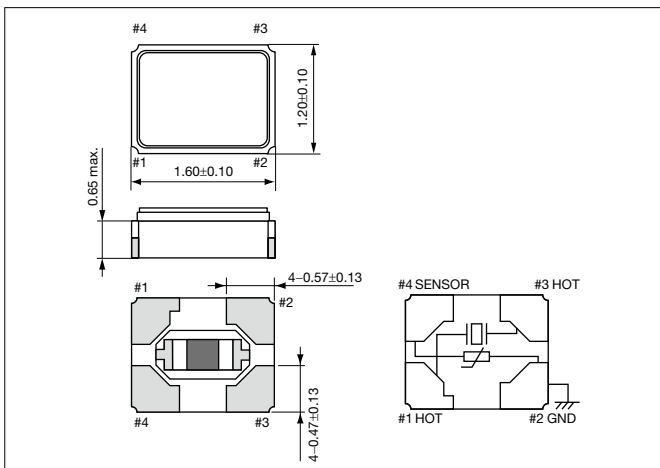
Table 3 Thermistor B-Constant

B-Constant	Specification
4250K	±1%

Crystal Units

### Dimensions

(Unit: mm)



### Recommended Land Pattern

(Unit: mm)

