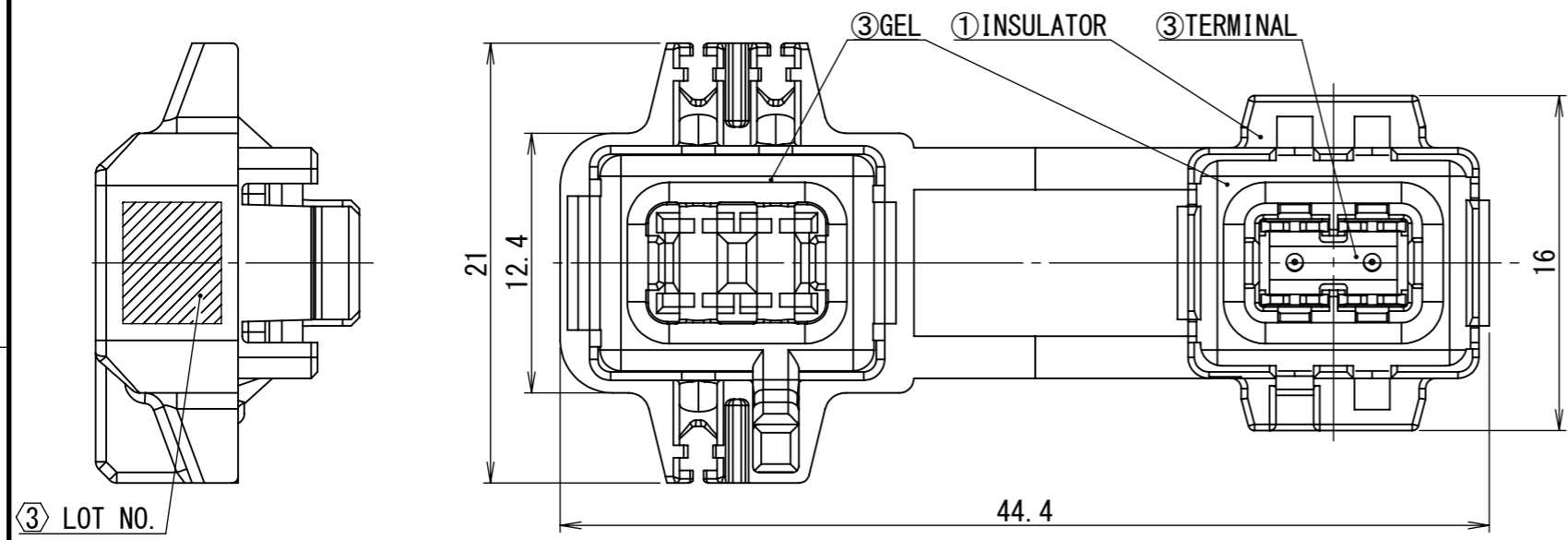




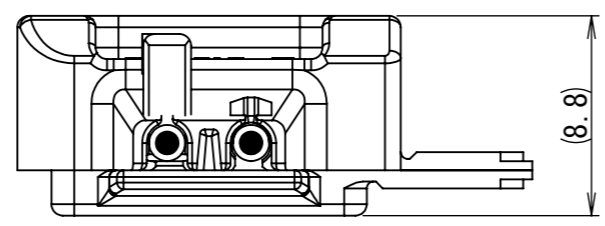
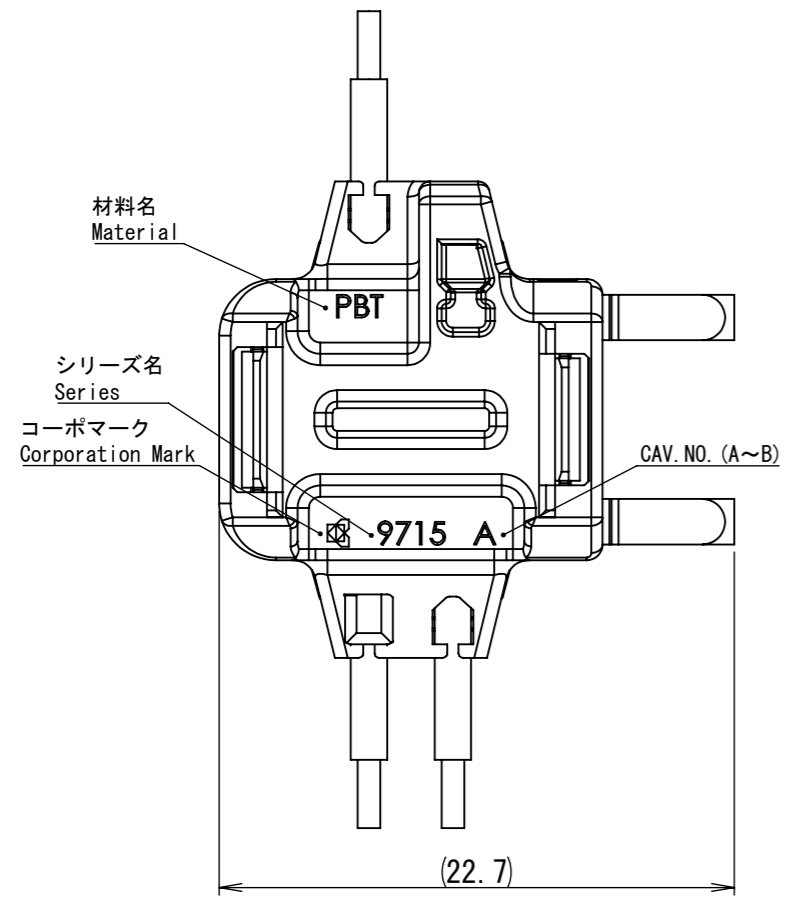
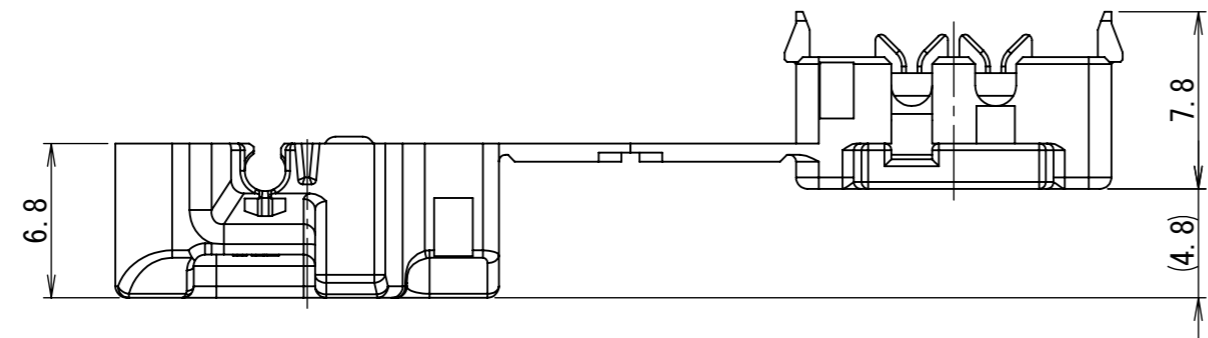
NO.	DESCRIPTION	QTY	MATERIAL	REMARKS
1	INSULATOR	1	PBT	COLOR: LAVENDER
2	TERMINAL	1	PHOS-BRONZE	Ni: UNDER COAT Sn-Cu
3	GEL	-	URETHANE ACRYLATE	COLOR: GREEN



9715 防水電線分岐コネクタ 線種対応表
Waterproof wire branch connector Applicable wire size

低圧アルミニウム電線 Low voltage Aluminium wire		
線種 Type	芯線構成 Configuration	仕上り外径 Finished size
ALVUS 0.75	11/円形圧縮 Compact round	1.4
ALVUS 0.5	7/円形圧縮 Compact round	1.25
ALVSSH 0.5	7/0.3	1.46

低圧銅電線 Low voltage Copper wire		
線種 Type	芯線構成 Configuration	仕上り外径 Finished size
AVSS 0.5	7/0.32	1.6
CAVS 0.5	7/0.32	1.6
CIVUS 0.5	7/円形圧縮 Compact round	1.25
CIVUS 0.35	7/円形圧縮 Compact round	1.1
IVSSH 0.35f	19/0.155	1.3
AVSS 0.3	7/0.26	1.4



RoHS規制対応
COMPLIANT WITH
RoHS REGULATIONS

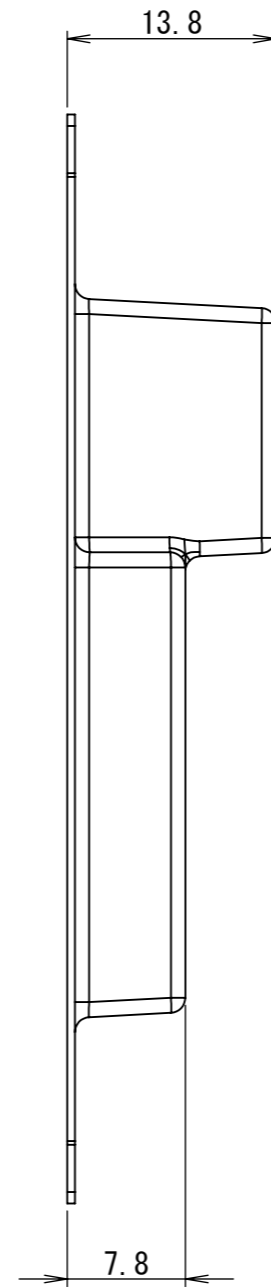
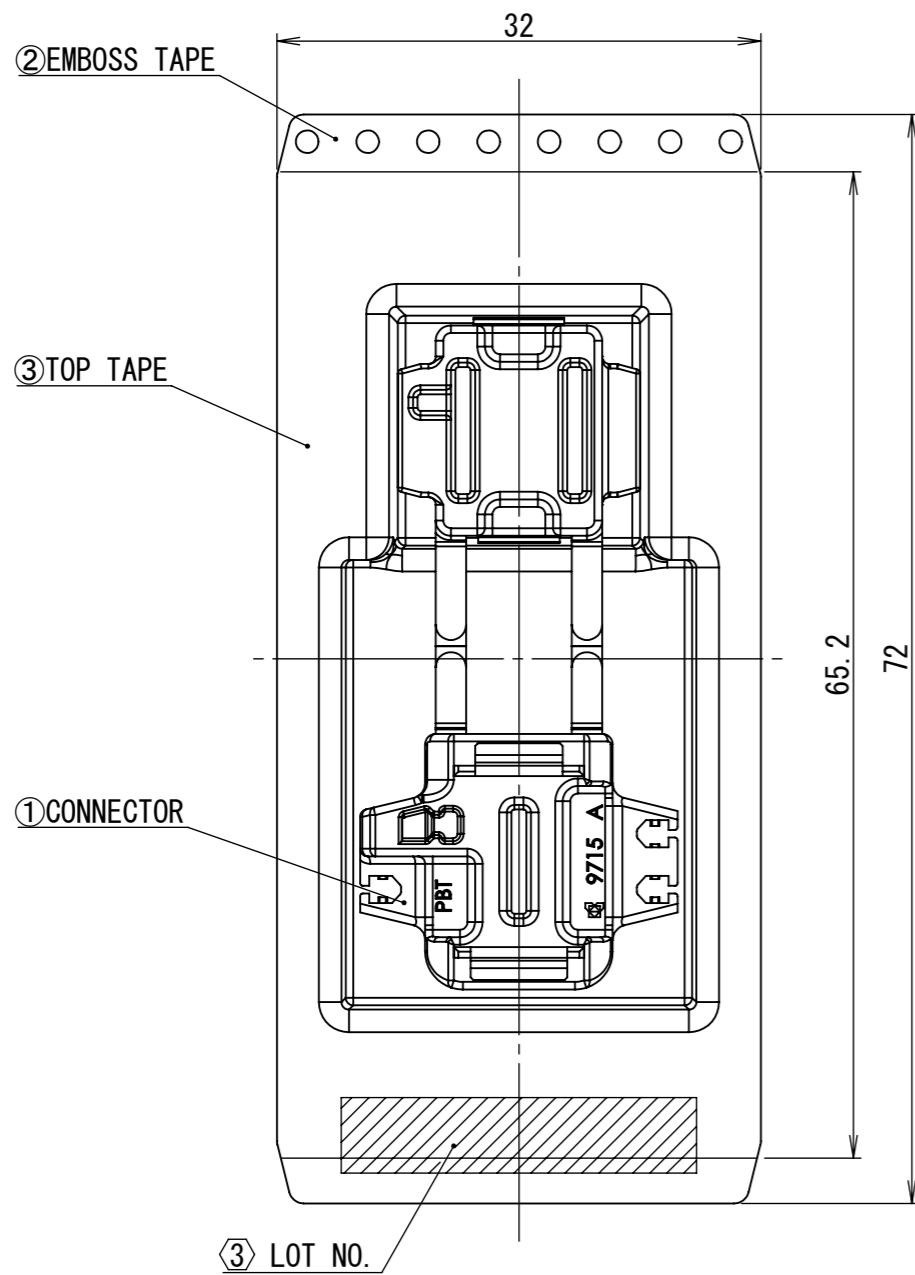
TOLERANCE / 一般公差(S)		PRODUCT SPEC / 製品規格		D	DCN22081	2022/02/08	H. TAMAI	-	M. YOSHIDA
$10 \leq X < 10$	± 0.2			C	DCN22054	2022/01/26	H. TAMAI	-	M. YOSHIDA
$10 \leq X < 30$	± 0.25			O	EDN18223	2018/07/24	T. HATA	-	M. YOSHIDA
$30 \leq X$	± 0.3			NO.	EDN/DCN	DATE	ISSUE	CHECKED	APPROVED
ANGLE / 角度	$\pm 3^\circ$	UNIT	ANGLE	PART NAME / 品名					
		mm	3RD	SERIES 9715 ASSY					
		SCALE	DATE	FOR WIRE BRANCH CONNECTOR "Sheltap"					
DRAWN	DESIGNED	CHECKED	APPROVED	PART NO. / 型番					
T. HATA	T. HATA	-	M. YOSHIDA	14 9715 000 000 825 + T					
DWG NO. / 図番				SHEET		REV			
BJS 9715002				1/2		D			

© 2022 KYOCERA Corporation

8 7 6 5 4 3 2 1



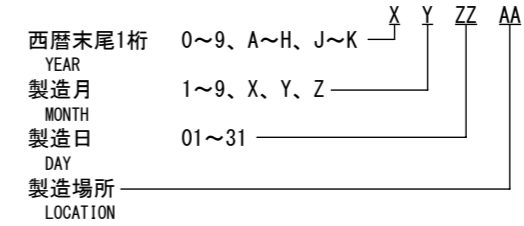
NO.	DESCRIPTION	QTY	MATERIAL	REMARKS
1	CONNECTOR	1	-	04 9715 000 000 825 + T
2	EMBOSS TAPE	1	POLYSTYRENE	-
3	TOP TAPE	1	PET	-



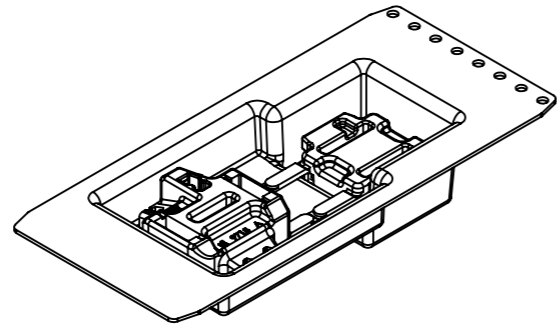
9715 防水電線分岐コネクタ 線種対応表
Waterproof wire branch connector Applicable wire size

低圧アルミニウム電線 Low voltage Aluminium wire			低圧銅電線 Low voltage Copper wire		
線種 Type	芯線構成 Configuration	仕上り外径 Finished size	線種 Type	芯線構成 Configuration	仕上り外径 Finished size
ALVUS 0.75	11/円形圧縮 Compact round	1.4	AVSS 0.5	7/0.32	1.6
ALVUS 0.5	7/円形圧縮 Compact round	1.25	CAVS 0.5	7/0.32	1.6
ALVSSH 0.5	7/0.3	1.46	CIVUS 0.5	7/円形圧縮 Compact round	1.25
			CIVUS 0.35	7/円形圧縮 Compact round	1.1
			IVSSH 0.35f	19/0.155	1.3
			AVSS 0.3	7/0.26	1.4

注記.
NOTE
1. 使用の際は製品仕様書”201-03-1273”参照の事.
Refer to product specification ”201-03-1273” when using.
2. Pbフリーの事.
Pb Free.
③. LOT NO. は下記仕様の事.



RoHS規制対応
COMPLIANT WITH
RoHS REGULATIONS



ISOMETRIC VIEW

TOLERANCE / 一般公差(S)		PRODUCT SPEC / 製品規格		REFER TO		SHEET 1/2	
$10 \leq X < 30$	± 0.25	UNIT	ANGLE	NO.	EDN/DCN	DATE	ISSUE
$30 \leq X$	± 0.3	mm	3RD				
ANGLE / 角度	$\pm 3^\circ$	SCALE	DATE	PART NAME / 品名			
		2:1	2018/07/24	SERIES 9715 ASSY FOR WIRE BRANCH CONNECTOR "Sheltap"			
DRAWN	DESIGNED	CHECKED	APPROVED	PART NO. / 型番			
T. HATA	T. HATA	-	M. YOSHIDA	14 9715 000 000 825 + T			
DWG NO. / 図番				SHEET	REV		
BJS 9715002				2/2	D		