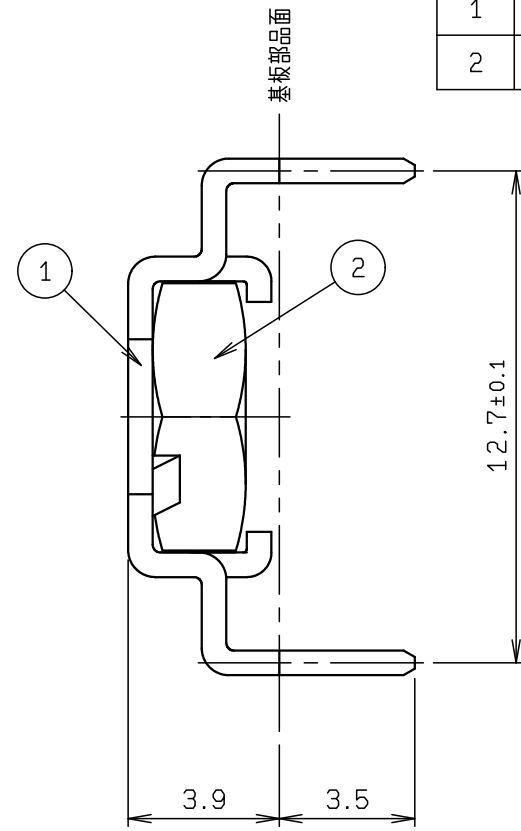
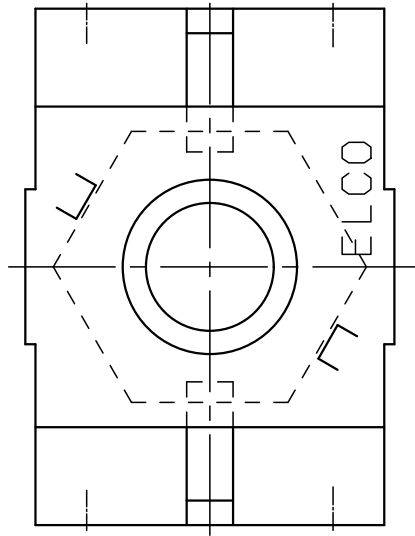
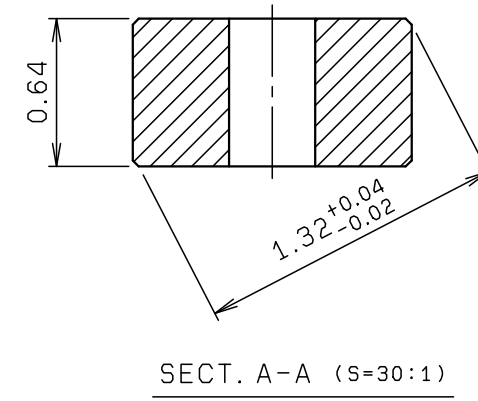
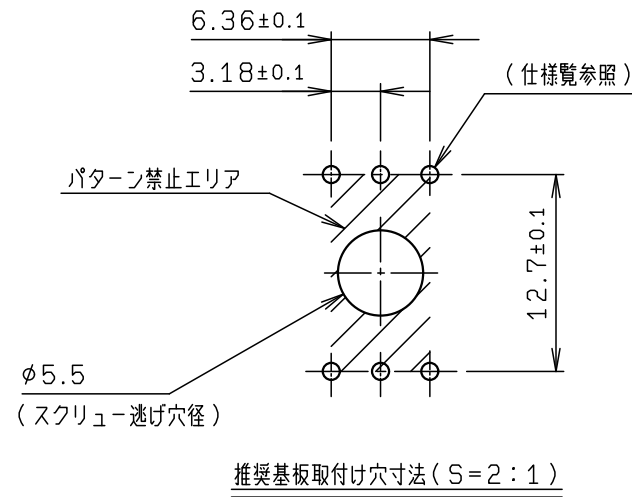
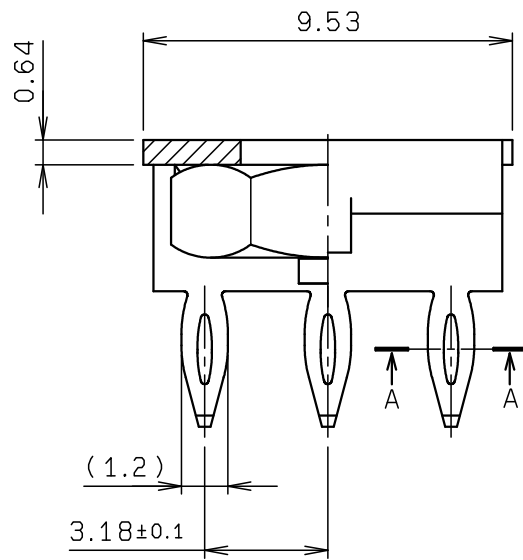


NO.	DESCRIPTION	PART NO.	QTY	MATERIAL	DRW NO.	REMARKS
1	POWER INSERT		1	COPPER ALLOY		UNDER COAT Ni Sn-Cu
2	NUT		1			JIS B1181 M4.3種



仕 様			
P/F仕様 適用基板	基板厚	1.6MIN.	2.3MIN.
	下穴径	φ1.1±0.025	
	銅めっき厚	25~65μm	25~50μm
	はんだめっき厚	—————	7.6μmMIN.
DIP仕様 適用基板	仕上げ径	φ1±0.05	φ1 <sup>+0.05</sup> <sub>-0.1</sub>
	仕上げ径	φ1.65±0.1	



© 2019 KYOCERA Corporation

ROHS規制対応  
COMPLIANT WITH  
ROHS REGULATIONS

TOLERANCE / 一般公差 (S)		PRODUCT SPEC / 製品規格		A		DCN19902		2019/09/02		M. YOSHIDA		K. YAMANE	
X < 10	±0.2	UNIT		O		EDN-553		2005/04/22		Y. AYUKAWA		Y. SHIROYAMA	
10 ≤ X < 30	±0.25	mm		NO.		EDN/DCN		DATE		ISSUE		CHECKED	
30 ≤ X	±0.3	ANGLE		PART NAME / 品名		SERIES 9069		POWER INSERT ASSY 6P		PART NO. / 型番		60 9069 905 706 800 +	
ANGLE / 角度	±3°	SCALE		DATE		DWG NO. / 図番		BJS 9069009		SHEET / REV		1 / 1 A	
DRAWN	DESIGNED	CHECKED	APPROVED	KYOCERA									
Y. AYUKAWA	Y. AYUKAWA	Y. SHIROYAMA	K. HONDA										

8 7 6 5 4 3 2 1