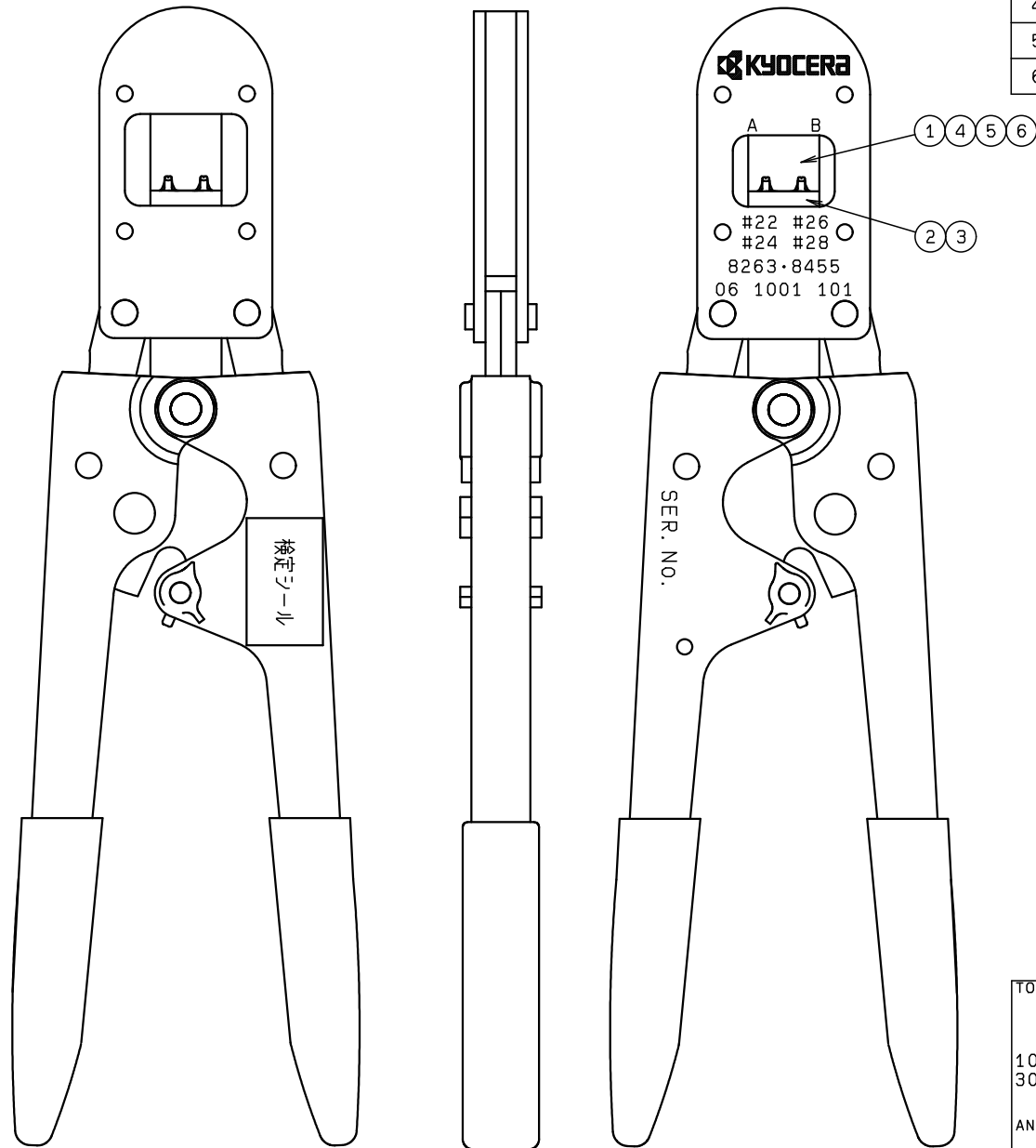


NO.	DESCRIPTION	PART NO.	QTY	MATERIAL	DRW NO.	REMARKS
1	CRIMPER, WIRE	66 4003 301	1			
2	ANVIL, INSULATION	66 4003 332	1			
3	ANVIL, WIRE	66 4003 303	1			
4	CRIMPER, INSULATION	66 4003 334	1			
5	LOCATOR	66 4003 305	1			
6	SUPPORT-UPPER	66 4003 306	1			



AWG	芯線クリンプ・ハイト	被覆クリンプ・ハイト
#22-24	0.70~0.82	1.7(Ref)
#26-28	0.61~0.70	1.5(Ref)

TOLERANCE / 一般公差(S)		PRODUCT SPEC / 製品規格							
X < 10	±0.2			A	DCN-1018	7-29-13			
10 ≤ X < 30	±0.25	UNIT	ANGLE	0	EDN-411	7-11-13	H. NAKAMURA		Y. OKABE
30 ≤ X	±0.3	mm	3RD	NO.	EDN/DCN	DATE	ISSUE	CHECKED	APPROVED
ANGLE / 角度	±3°	SCALE	DATE	PART NAME / 品名					
		1 : 1	7-11-13	SERIES 8263 REC / 8455					
DRAWN	DESIGNED	CHECKED	APPROVED	PART NO. / 製番					
H. NAKAMURA	H. NAKAMURA		Y. OKABE	06 1001 101					
KYOCERA KYOCERA Corporation				DWG NO. / 図番		SHEET/REV			
				BJS 8263702		1/1 A			