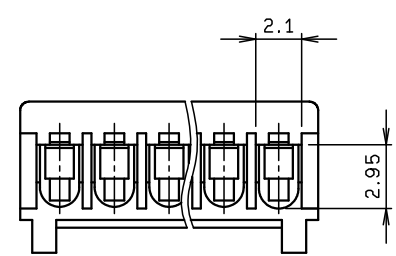
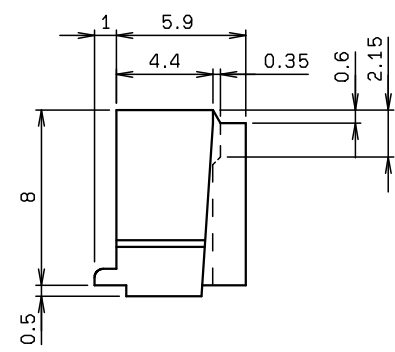
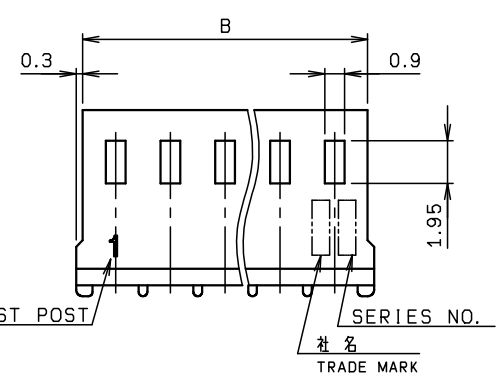
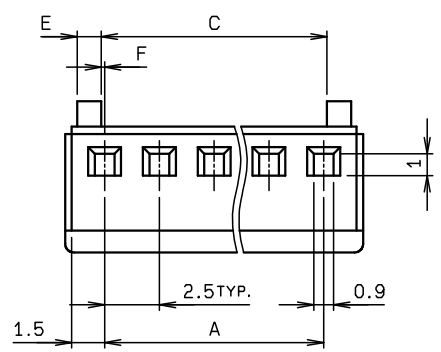


NO.	DESCRIPTION	PART NO.	QTY	MATERIAL	DRW NO.	REMARKS
-----	-------------	----------	-----	----------	---------	---------



極数 NO. OF POS.	A	B	C	E	F
2	2.5	5.5	2.8	1.1	0.15
3	5.0	8.0	5.8	1.0	0.4
4	7.5	10.5	8.3	1.0	0.4
5	10.0	13.0	10.3	1.1	0.15
6	12.5	15.5	12.8	↑	↑
7	15.0	18.0	15.3		
8	17.5	20.5	17.8		
9	20.0	23.0	20.3		
10	22.5	25.5	22.8		
11	25.0	28.0	25.3		
12	27.5	30.5	27.8		
13	30.0	33.0	30.3		
14	32.5	35.5	32.8	↓	↓
15	35.0	38.0	35.3	1.1	0.15

型番 P/N 60 8263 3XX8 15 XXX
 極数 NO. OF POS.
 色 COLOR
 000: 自然色 NATURAL
 001: 黒色 BLACK
 002: 赤色 RED
 003: 黄色 YELLOW

注記 NOTE
 1. 材質: PA66 UL94V-0 MATERIAL
 2. 反り 25当り0.2MAX. CAMBER 0.2MAX./25

ROHS規制対応
 COMPLIANT WITH
 ROHS REGULATIONS

TOLERANCE / 一般公差(S) X < 10 ±0.2 10 ≤ X < 30 ±0.25 30 ≤ X ±0.3	PRODUCT SPEC / 製品規格		H	DCN-1415	12-05-06			
	UNIT		G	DCN-485	8-19-94	K. SAWAKUMA	R. KAMEOKA	
	mm		ANGLE	01	EDN-189	11-09-81	K. SAWAKUMA	K. HONDA
	SCALE		DATE	NO.	EDN/DCN	DATE	ISSUE	CHECKED
ANGLE / 角度	±3°	4 : 1	8-12-94	PART NAME / 品名 SERIES 8263 REC INSULATOR				
DRAWN	DESIGNED	CHECKED	APPROVED	PART NO. / 型番 60 8263 3XX8 15 XXX				
Y. OHISHI	K. SAWAKUMA		R. KAMEOKA	DWG NO. / 図番 BJS 8263601				
KYOCERA Corporation			SHEET		REV			
			1/1		H			

REV. GEZCAD17