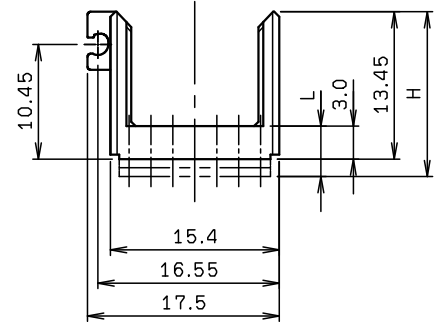
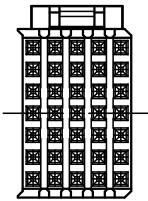
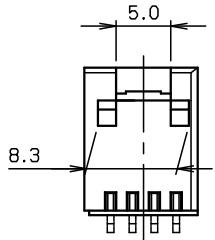
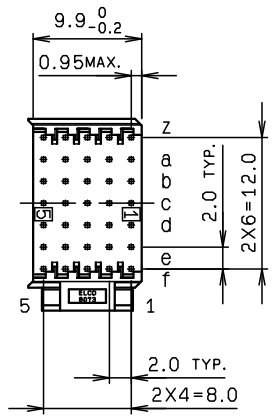


| NO. | DESCRIPTION | PART NO. | QTY | MATERIAL | DRW NO. | REMARKS |
|-----|-------------|----------|-----|----------|---------|---------|
|-----|-------------|----------|-----|----------|---------|---------|



型番構成 P/N

61 8073 035 XXX 007

極数 NO. OF POS. 035: (5+2)X5=35POS.

バリエーション VARIATION

| バリエーションコード<br>VARIATION CODE | L   | H     | 適合基板厚<br>PCB THICKNESS |
|------------------------------|-----|-------|------------------------|
| 300                          | 3.0 | 13.45 | t=4.8mm                |
| 310                          | 3.8 | 14.25 | t=4.0mm                |
| 320                          | 4.6 | 15.05 | t=3.2mm                |

注記 NOTE

1. 材質 MATERIAL: ガラス入りPBT樹脂 (GF30%), UL94V-0, 色相: グレー  
GLASS FILLED(30%)PBT, UL94V-0, COLOR: GRAY

© 2019 KYOCERA Corporation

ROHS規制対応  
COMPLIANT WITH  
ROHS REGULATIONS

|                             |                       |  |                     |                                      |            |           |           |                          |
|-----------------------------|-----------------------|--|---------------------|--------------------------------------|------------|-----------|-----------|--------------------------|
| TOLERANCE / 一般公差(S)<br>±0.3 | PRODUCT SPEC / 製品規格   |  | B                   | DCN19947                             | 2019/09/11 | R. ARAI   | H. TAMAI  | M. YOSHIDA               |
|                             | UNIT                  |  | A                   | DCN-399                              | 1999/05/13 | K. OHTAKA | K. NARITA | T. MORI                  |
|                             | mm                    | ANGLE  | 0                   | EDN-081                              | 1999/02/02 | K. OHTAKA | K. NARITA | T. MORI                  |
|                             | SCALE                 | DATE   | NO.                 | EDN/DCN                              | DATE       | ISSUE     | CHECKED   | APPROVED                 |
| 2 : 1                       | 1999/02/02            | PART NAME / 品名<br>SERIES 8073 PLUG INS ST<br>SHROUD WITH LATCH |                     |                                      |            |           |           |                          |
| DRAWN<br>K. OHTAKA          | DESIGNED<br>K. OHTAKA | CHECKED<br>K. NARITA   | APPROVED<br>T. MORI | PART NO. / 製番<br>61 8073 035 XXX 007 |            |           |           |                          |
| KYOCERA                     |                       |  |                     | DWG NO. / 図番<br>BJS 8073602          |            |           |           | SHEET   REV<br>1 / 1   B |