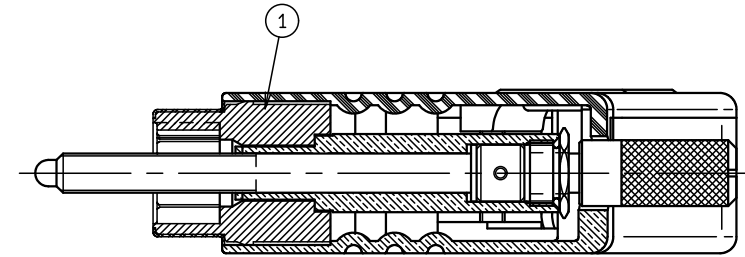
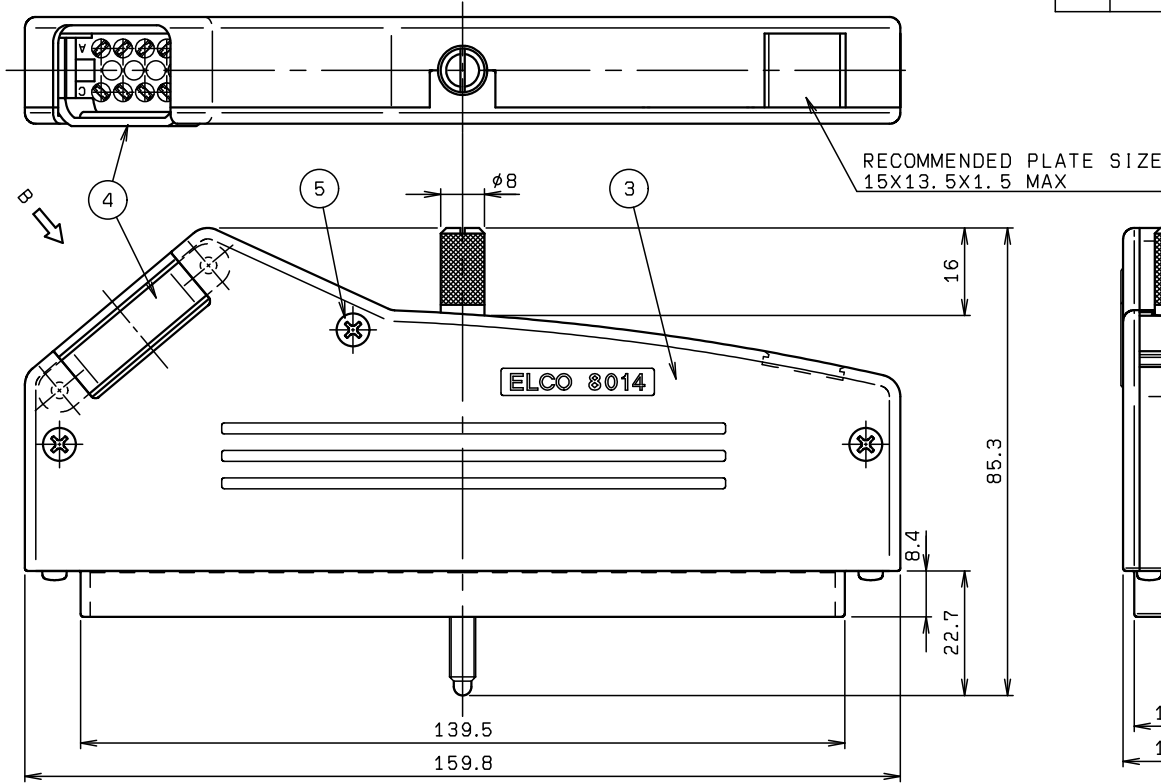


NO.	DESCRIPTION	PART NO.	QTY	MATERIAL	DRW NO.	REMARKS
1	PLUG CONNECTOR		1			NI PLATE
2	COVER BODY		1	ADC		NI PLATE
3	COVER TOP		1	ADC		
4	CABLE CLAMP		1	ADC12		
5	SCREW	FLAT HEAD M3X5	3	SUS304		FOR COVER TOP
6	SCREW	FLAT HEAD M3X18	2	SUS304		FOR CLAMP
7	SCREW	PAN HEAD M2.6X18	4	SUS304		FOR CONNECTOR



ORDERING CODE
 10 8014 264 XXX 100

PREFIX _____
 10: PLUG ASS'Y

SERIES _____
 8014: 8014 SERIES

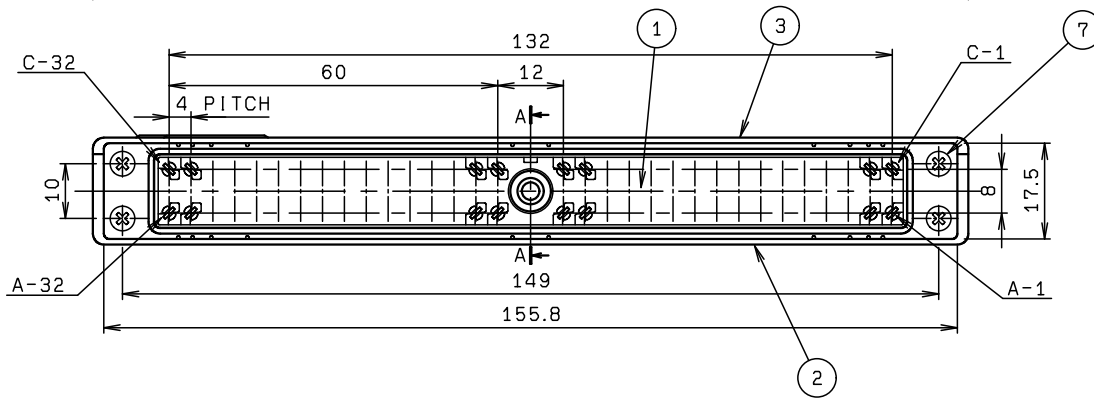
ROW NO. OF CONTACT _____
 264: 2 ROW, 64P(A, C)

CONTACT CODE _____
 000: コンタクト未装填
 WITHOUT CONTACT
 P/N 70 8014 000 000 858

100: 圧着コンタクト (パラ端子添付)
 WIRE CRIMP TAIL (CONTACTS LOOSE)

VARIATION _____
 100: 標準 (WIRE TYPE), カバー付き
 STANDARD (WIRE TYPE), WITH COVER

ROHS規制対応
 COMPLIANT WITH
 ROHS REGULATIONS



TOLERANCE / 一般公差 (S)		PRODUCT SPEC / 製品規格		B	DCN19806	2019/09/06	R. ARAI	H. TAMAI	M. YOSHIDA
±0.3				A	DCN-086	1995/01/31		M. AOKI	S. SUZUKI
		UNIT	ANGLE	O	EDN-371	1994/08/24	T. MORI		M. AOKI
		mm	3RD	NO.	EDN/DCN	DATE	ISSUE	CHECKED	APPROVED
		SCALE	DATE	PART NAME / 品名					
		1 : 1	1994/08/24	SERIES 8014					
				PLUG ASSY ST CRIMP (WITH COVER)					
DRAWN	DESIGNED	CHECKED	APPROVED	PART NO. / 製番					
T. MORI	T. MORI		M. AOKI	10 8014 264 XXX 100					
				DWG NO. / 図番				SHEET/REV	
				BJS 8014003		1/1 B			