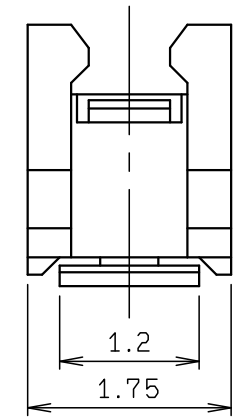
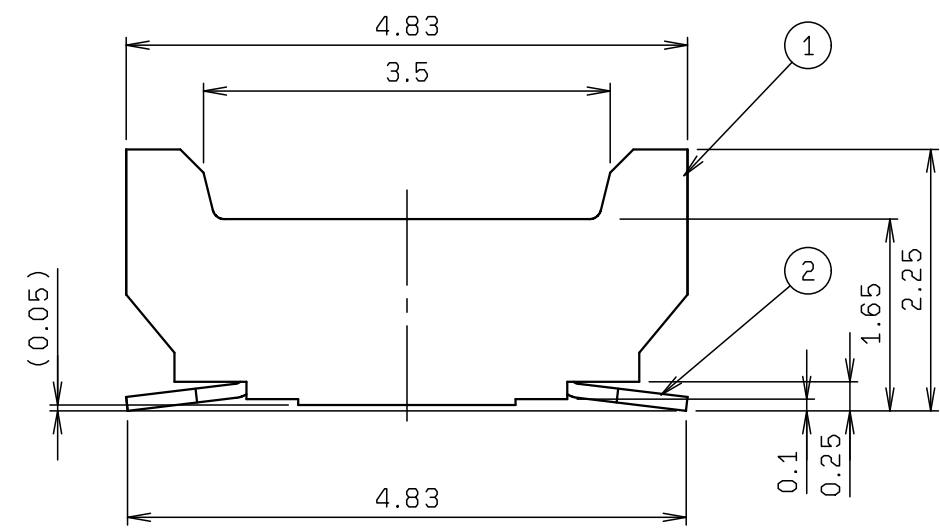
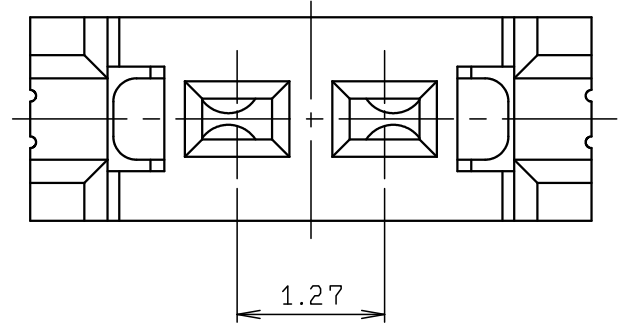


NO.	DESCRIPTION	PART NO.	QTY	MATERIAL	DRW NO.	REMARKS
1	INSULATOR		1	PA46, UL94V-0		
2	CONTACT		2	BERYLLIUM COPPER, t=0.12mm		



仕様 SPECIFICATION		定格電圧 RATED VOLTAGE	500V RMS 500VRMS AT SEALEVEL
		定格電流 RATED CURRENT	1 AMPS 1 AMPS
		初期 接触抵抗 CONTACT RESISTANCE	25mΩMAX. 25mΩMAX.
		挿抜耐久性 DURABILITY	30回 30TIMES

注記 NOTE

1. 型番 P/N

20 8005 002 X00 XXX +

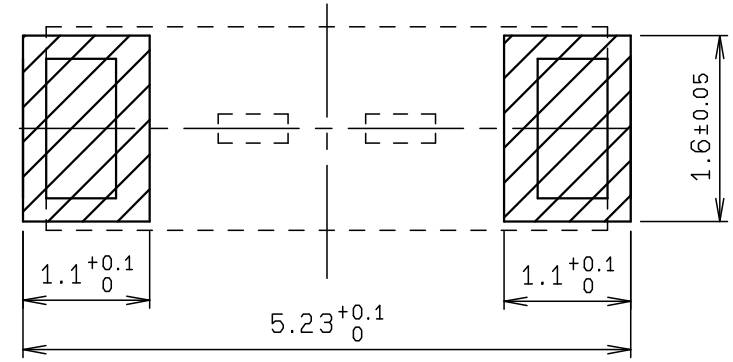
色: COLOR

1: 黒 BLACK

2: ナチュラル NATURAL

めっき コード PLATING CODE

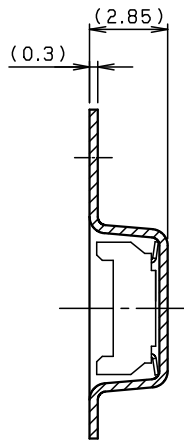
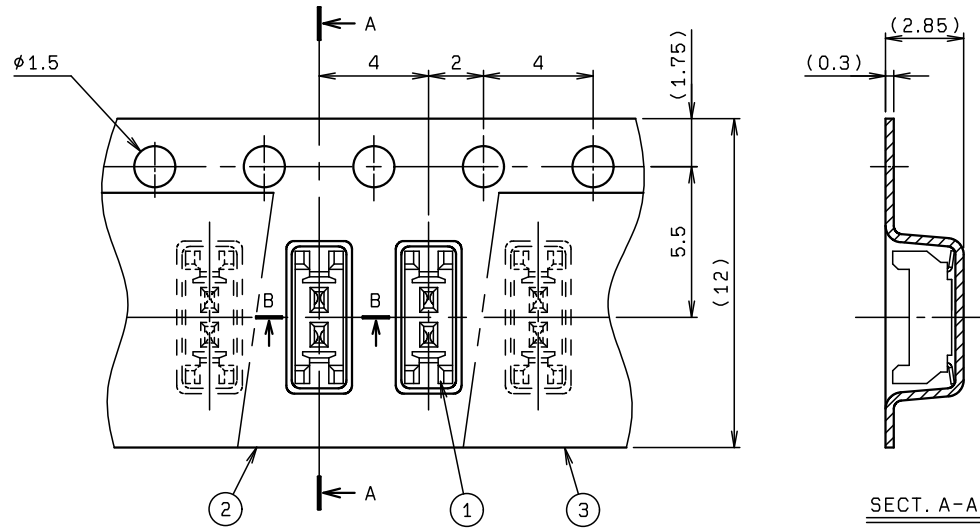
	867	829
UNDER COAT	Ni下地 1.0μmMIN.	Ni下地 1.0μmMIN.
CONTACT AREA	Au 0.38μmMIN.	Au 0.1μmMIN.
TAIL AREA	AU FLASH	AU FLASH



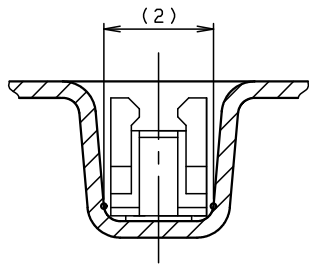
推奨基板寸法
RECOMMENDED P.C BOARD LAYOUT

ROHS規制対応
COMPLIANT WITH
ROHS REGULATIONS

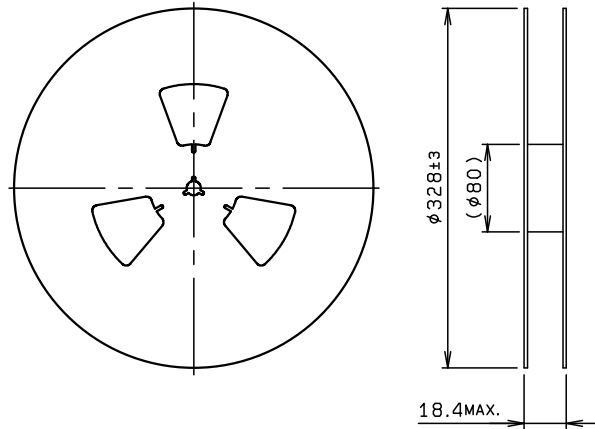
TOLERANCE / 一般公差(S)		PRODUCT SPEC / 製品規格		A DCN-881		11-08-08		M. YOSHIDA		T. MORI	
X < 10	±0.2	UNIT	ANGLE	O EDN-1284	12-02-04	M. SASAKI	Y. SHIROYAMA	N. HAYASHI			
10 ≤ X < 30	±0.25	mm	3RD	NO. EDN/DCN	DATE	ISSUE	CHECKED	APPROVED			
30 ≤ X	±0.3	SCALE	DATE	PART NAME / 品名							
ANGLE / 角度	±3°	NTS	12-02-04	SERIES 8005 REC ASSY							
DRAWN	DESIGNED	CHECKED	APPROVED	PART NO. / 型番							
LI	M. SASAKI	Y. SHIROYAMA	N. HAYASHI	20 8005 002 X00 XXX +							
				DWG NO. / 図番				SHEET/REV			
				BJS 8005031				1/1 A			



SECT. A-A



SECT. B-B

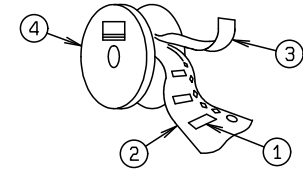


REEL DIMENTION (S=1/5)

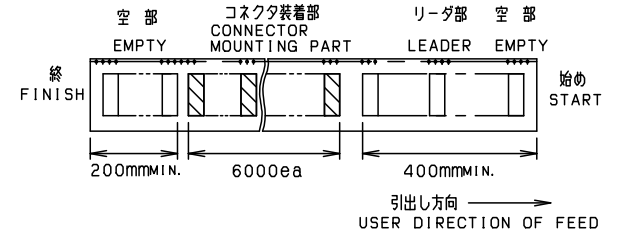
NO.	DESCRIPTION	PART NO.	QTY	MATERIAL	DRW NO.	REMARKS
1	CONNECTOR	20 8005 002 X00 XXX +	6000			
2	EMBOSSED TAPE		1	POLYSTYRENE (CLEAR)		
3	TOP COVER TAPE		1	POLYSTYRENE (CLEAR)		(t=75μm)
4	REEL		1	POLYSTYRENE		

注記
NOTE

- 梱包数量 : 6000 個/リール
PACKING QUANTITY : 6000 ea/reel
- 納入時のリール巻き方向
REELING DIRECTION IN DELIVERY



- 引出し方向
USER DIRECTION OF FEED



- 型番
P/N

24 8005 002 X00 XXX +

色
COLOR
1: 黒 BLACK
2: ナチュラル NATURAL

めっきコード
PLATING CODE

	867	829
UNDER COAT	Ni下地 1.0μmMIN.	Ni下地 1.0μmMIN.
CONTACT AREA	AU 0.38μmMIN.	AU 0.1μmMIN.
TAIL AREA	AU FLASH	AU FLASH

TOLERANCE / 一般公差 (S)		PRODUCT SPEC / 製品規格		B	DCN-206	3-25-11			
X < 10	±0.2			A	DCN-881	11-08-08	M. YOSHIDA		T. MORI
10 ≤ X < 30	±0.25	UNIT	ANGLE	O	EDN-1284	12-02-04	M. SASAKI	Y. SHIROYAMA	N. HAYASHI
30 ≤ X	±0.3	mm	3RD	NO.	EDN/DCN	DATE	ISSUE	CHECKED	APPROVED
ANGLE / 角度	±3°	SCALE	DATE	PART NAME / 品名					
		N.T.S	12-02-04	SERIES 8005 REC ASSY					
DRAWN	DESIGNED	CHECKED	APPROVED	PART NO. / 型番					
LI	M. SASAKI	Y. SHIROYAMA	N. HAYASHI	24 8005 002 X00 XXX +					
DWG NO. / 図番				SHEET/REV					
BJS 8005032				1/1 B					

ROHS規制対応
COMPLIANT WITH
ROHS REGULATIONS

KYOCERA KYOCERA Corporation