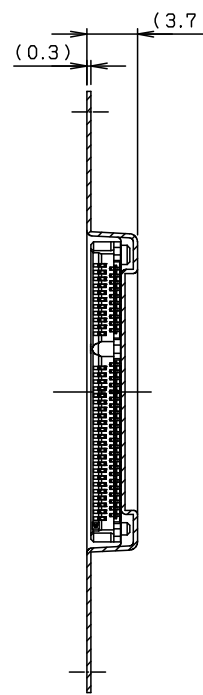
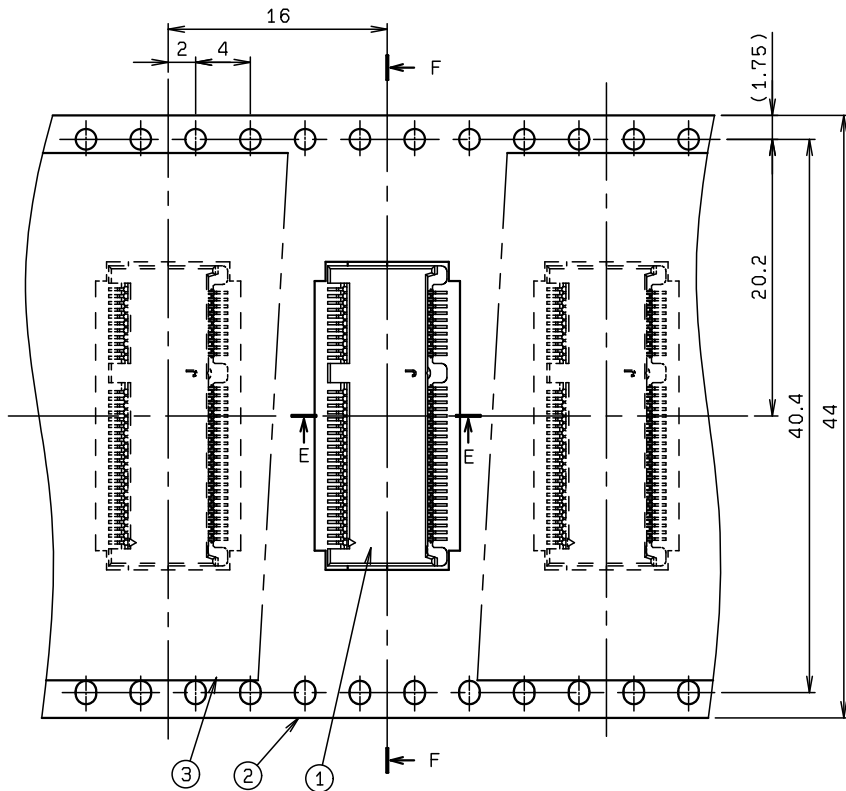


ROHS規制対応
COMPLIANT WITH
ROHS REGULATIONS

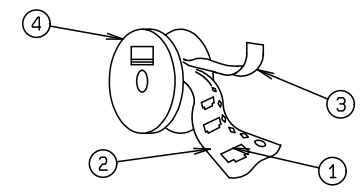
HALOGEN FREE

NO.	DESCRIPTION	PART NO.	QTY	MATERIAL	DRW NO.	REMARKS
1	CONNECTOR	20 6411 067 201 829 J	1000			
2	EMBOSSED TAPE		1	POLYSTYRENE		
3	TOP COVER TAPE		1	POLYSTYRENE		
4	REEL		1	POLYSTYRENE		



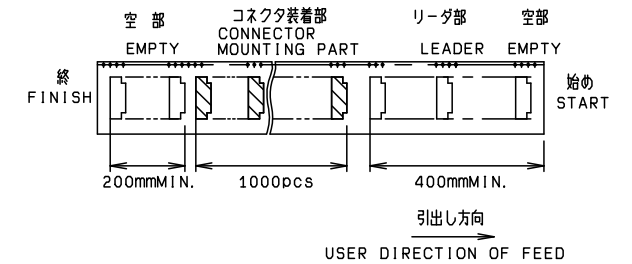
注記
NOTE

- 梱包数量 : 1000 個/リール
PACKING QUANTITY : 1000 pcs/Reel
- 納入時のリール巻き方向
REELING DIRECTION
IN DELIVERY



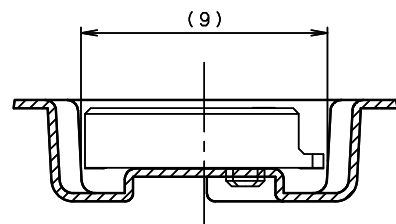
3. 引出し方向

USER DIRECTION OF FEED

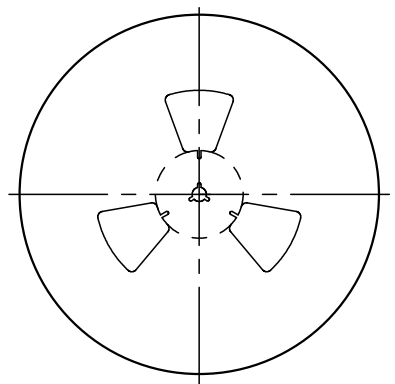


型番
P/N 24 6411 067 201 829 J

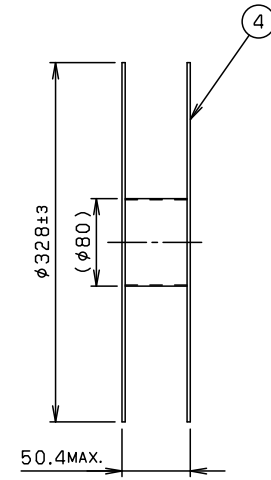
- 極数 No. OF POS. _____
- VARIATION 1
2 : H2
- VARIATION 2
1 : WITH BOSS. WITHOUT ANCHOR PLATE
- PLATING CODE
829 : Ni UNDER COAT ALL OVER 1.5~5.0μm
CONTACT AREA Au 0.1μm MIN.
TAIL AREA Au 0.03μm MIN.
- KEYING
J : KEY J



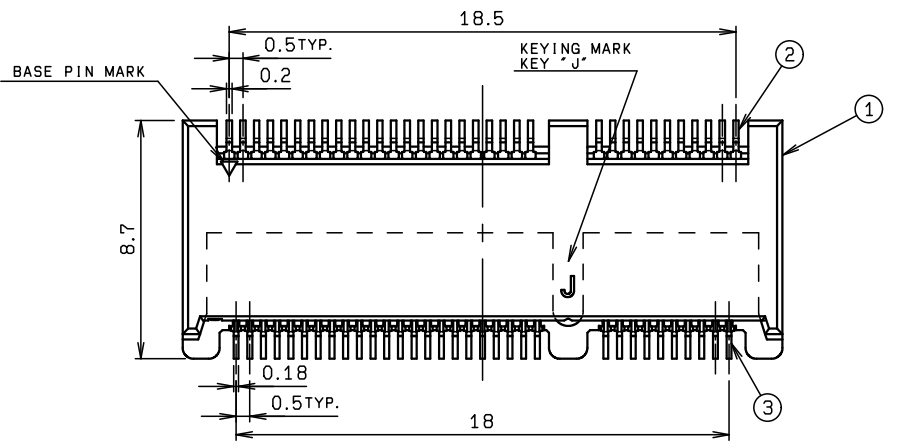
SECT. E-E (S=5/1)



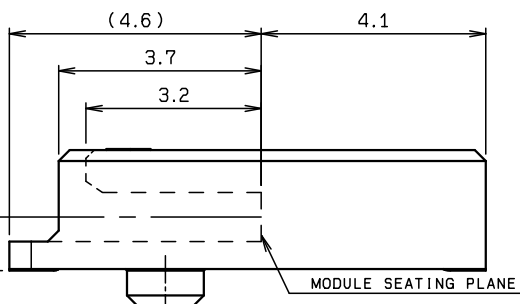
REEL DIMENSION (S=1/5)



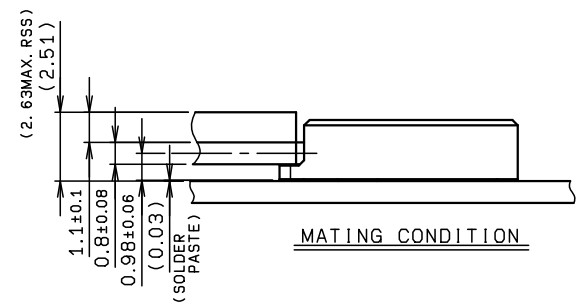
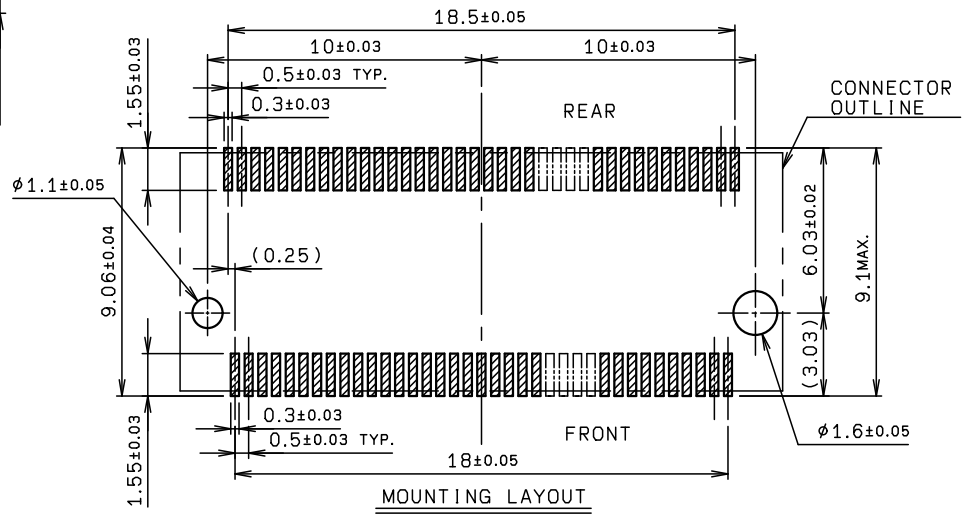
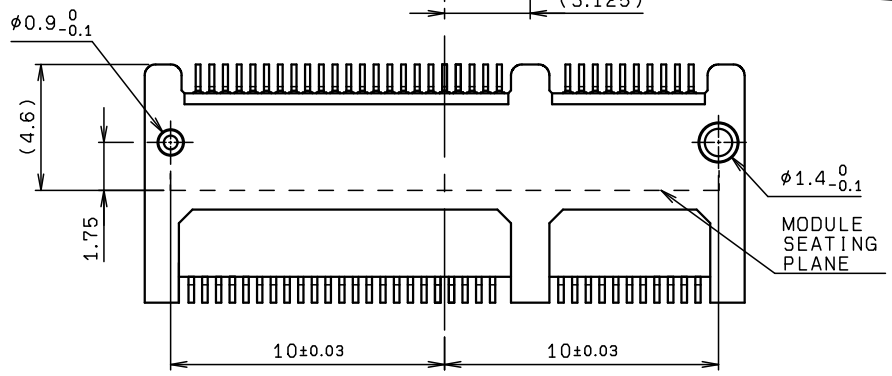
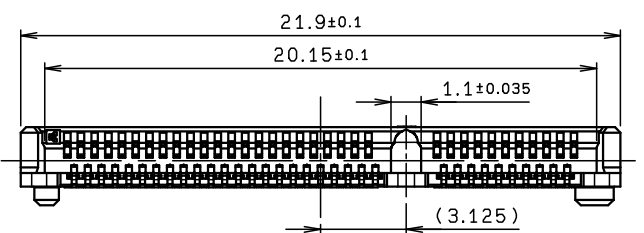
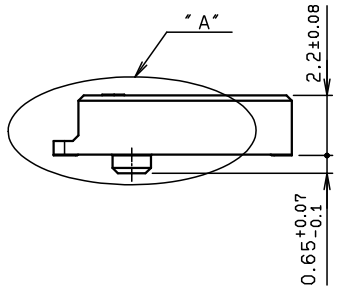
TOLERANCE / 一般公差 (S)		PRODUCT SPEC / 製品規格			
X < 10	±0.2	POLYSTYRENE (CLEAR)			
10 ≤ X < 30	±0.25	UNIT	ANGLE		
30 ≤ X	±0.3	mm	3RD		
ANGLE / 角度	±3°	SCALE	DATE		
		NTS	8-22-12		
DRAWN	DESIGNED	CHECKED	APPROVED	PART NO. / 型番	
H. TAMAI	H. TAMAI		Y. OKABE	24 6411 067 201 829 J	
KYOCERA Corporation				DWG NO. / 図番	
KYOCERA Corporation				BJS 6411045	
					SHEET/REV
					1/2 0



NO.	DESCRIPTION	PART NO.	QTY	MATERIAL	DRW NO.	REMARKS
1	INSULATOR		1	HEAT RESIST RESIN		
2	UPPER CONTACT		34	COPPER ALLOY		
3	LOWER CONTACT		33	COPPER ALLOY		



注記 NOTES
 型番 20 6411 067 201 829 J
 P/N
 極数 No. OF POS. _____
 VARIATION 1 _____
 2: H2
 VARIATION 2 _____
 1: WITH BOSS, WITHOUT ANCHOR PLATE
 PLATING CODE
 829: NI UNDER COAT ALL OVER 1.5~5.0µm
 CONTACT AREA AU 0.1µm MIN.
 TAIL AREA AU 0.03µm MIN.
 KEYING
 J: KEY J



TOLERANCE / 一般公差(S)		PRODUCT SPEC / 製品規格							
10 ≤ X < 30	±0.2	UNIT	ANGLE	REFER TO SHEET 1/2					
30 ≤ X	±0.25	mm	3RD	NO.	EDN/DCN	DATE	ISSUE	CHECKED	APPROVED
	±0.3	SCALE	DATE	PART NAME / 品名					
		NTS	8-22-12	SERIES 6411 ASSY RA SMT					
				NGFF CONNECTOR H2 KEY J					
DRAWN	DESIGNED	CHECKED	APPROVED	PART NO. / 型番					
H. TAMAI	H. TAMAI		Y. OKABE	20 6411 067 201 829 J					
KYOCERA KYOCERA Corporation				DWG NO. / 図番		SHEET/REV			
				BJS 6411045		2/2		0	

ROHS規制対応
 COMPLIANT WITH
 ROHS REGULATIONS

HALOGEN FREE