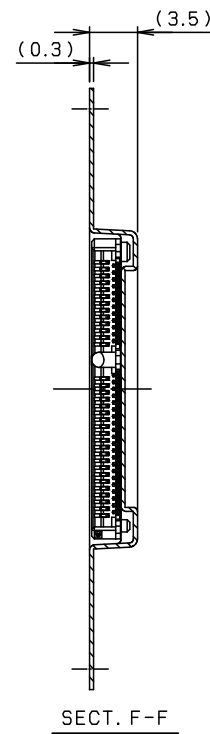
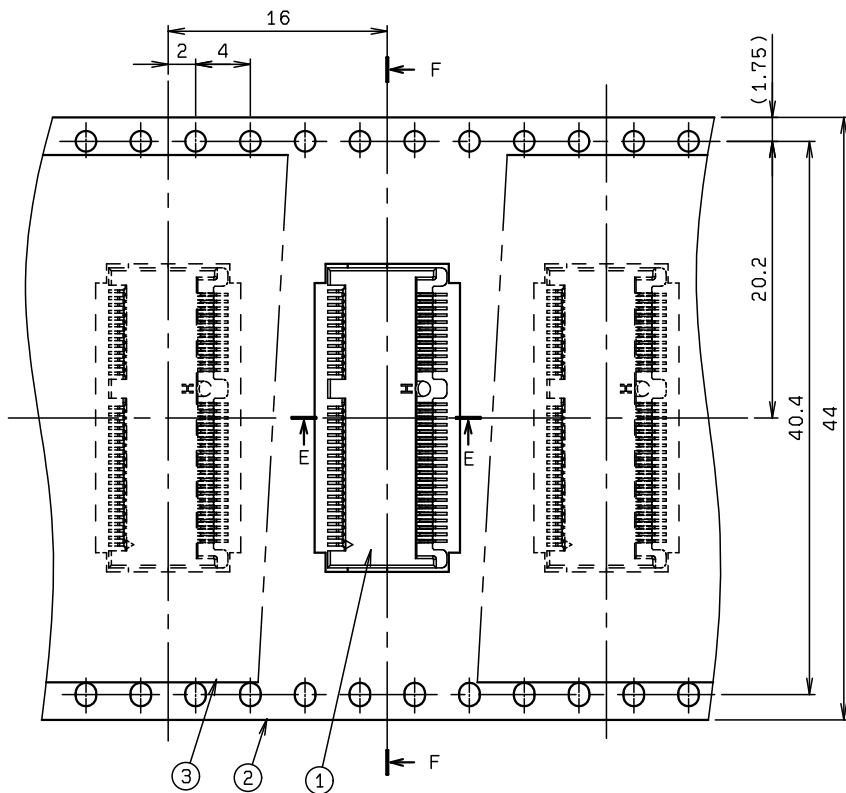


ROHS規制対応  
COMPLIANT WITH  
ROHS REGULATIONS

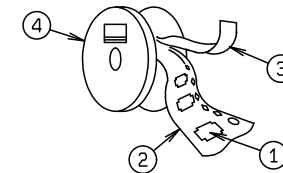
HALOGEN FREE

| NO. | DESCRIPTION    | PART NO.              | QTY  | MATERIAL    | DRW NO. | REMARKS |
|-----|----------------|-----------------------|------|-------------|---------|---------|
| 1   | CONNECTOR      | 20 6411 067 101 894 H | 1000 |             |         |         |
| 2   | EMBOSSED TAPE  |                       | 1    | POLYSTYRENE |         |         |
| 3   | TOP COVER TAPE |                       | 1    | POLYSTYRENE |         |         |
| 4   | REEL           |                       | 1    | POLYSTYRENE |         |         |



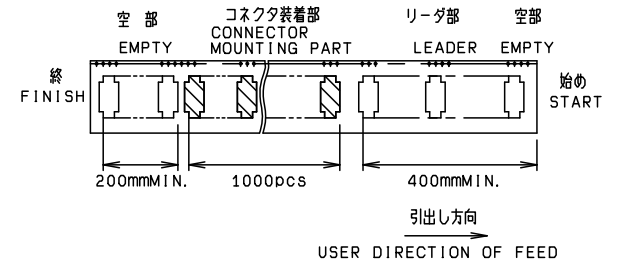
注記  
NOTE

- 梱包数量 : 1000 個/リール  
PACKING QUANTITY : 1000 pcs/Reel
- 納入時のリール巻き方向  
REELING DIRECTION  
IN DELIVERY



3. 引出し方向

USER DIRECTION OF FEED

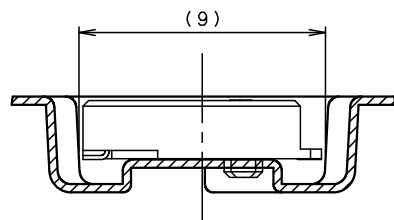


4. 型番  
P/N

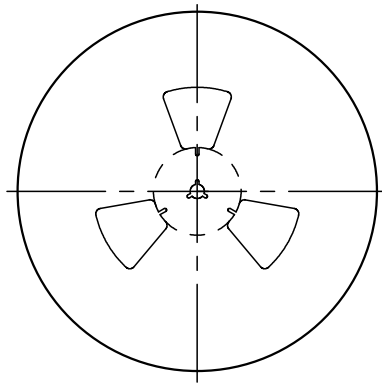
24 6411 067 101 894 H

極数 No. OF POS. \_\_\_\_\_  
PCI-SIG STANDARD \_\_\_\_\_  
1: H2.3 TYPE (HEIGHT 2.25MAX.)  
VARIATION \_\_\_\_\_  
1: WITH BOSS, WITHOUT ANCHOR PLATE  
PLATING CODE \_\_\_\_\_  
894: NI UNDER COAT ALL OVER 1.5~5.0µm  
CONTACT AREA Au 0.05µm MIN.  
TAIL AREA Au 0.03µm MIN.

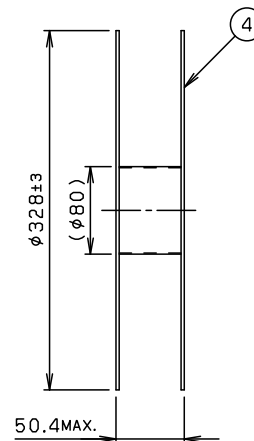
KEYING  
H: KEY H



SECT. E-E (S=5/1)



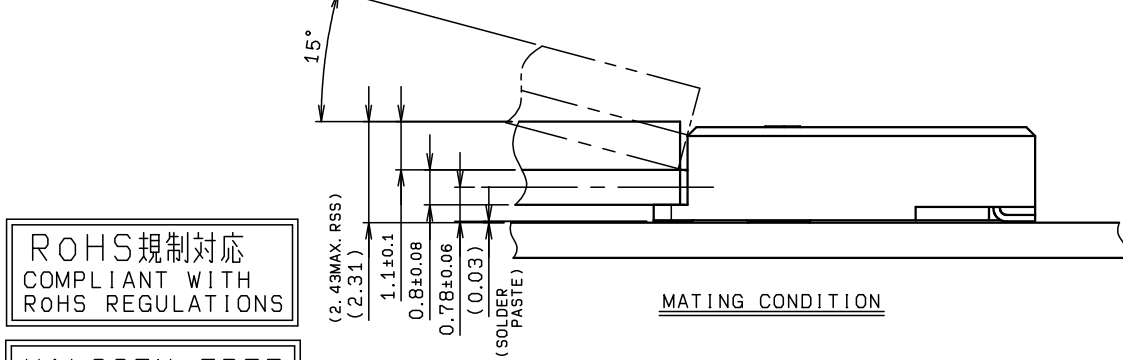
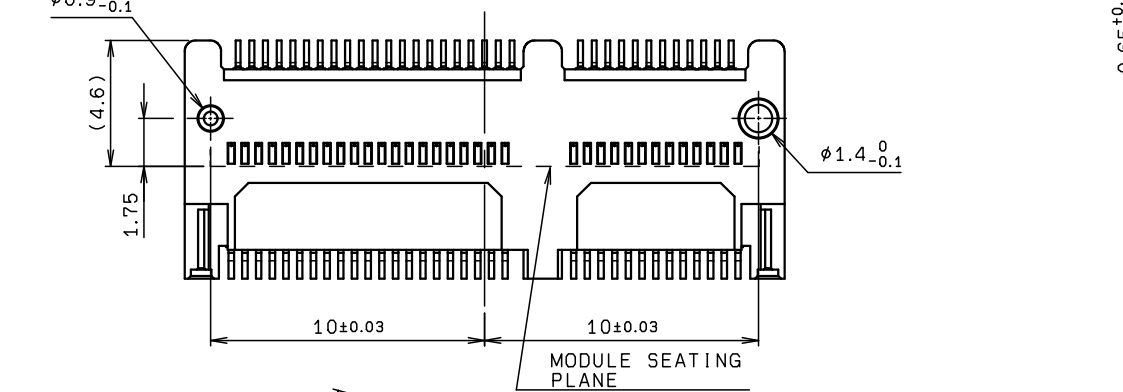
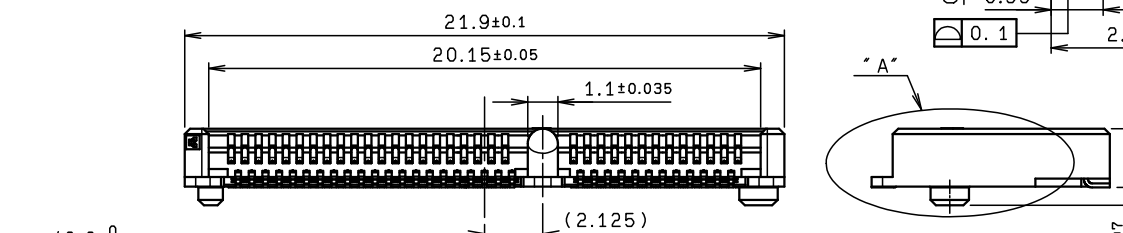
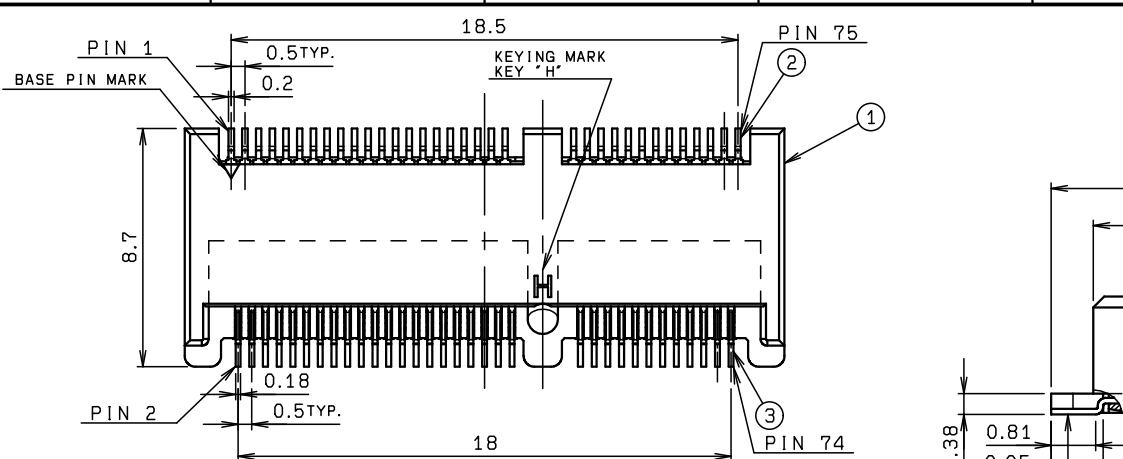
REEL DIMENSION (S=1/5)



| TOLERANCE / 一般公差 (S) |          | PRODUCT SPEC / 製品規格 |          | E                              | DCN-039  | 1-11-14  | H. TAMAI |         | H. SADATOKU |
|----------------------|----------|---------------------|----------|--------------------------------|----------|----------|----------|---------|-------------|
| X < 10               | ±0.2     | POLYSTYRENE (CLEAR) |          | D                              | DCN-1887 | 12-17-13 | H. TAMAI |         | H. SADATOKU |
| 10 ≤ X < 30          | ±0.25    | UNIT                | ANGLE    | O                              | EDN-569  | 8-01-12  | H. TAMAI |         | Y. OKABE    |
| 30 ≤ X               | ±0.3     | mm                  | 3RD      | NO.                            | EDN/DCN  | DATE     | ISSUE    | CHECKED | APPROVED    |
| ANGLE / 角度           | ±3°      | SCALE               | DATE     | PART NAME / 品名                 |          |          |          |         |             |
|                      |          | NTS                 | 8-01-12  | SERIES 6411 EMBOSS TAPE ASSY   |          |          |          |         |             |
| DRAWN                | DESIGNED | CHECKED             | APPROVED | M. 2 CONNECTOR H2.3 TAPE KEY H |          |          |          |         |             |
| H. TAMAI             | H. TAMAI |                     | Y. OKABE | PART NO. / 型番                  |          |          |          |         |             |
|                      |          |                     |          | 24 6411 067 101 894 H          |          |          |          |         |             |
|                      |          |                     |          | DWG NO. / 図番                   |          |          |          |         |             |
|                      |          |                     |          | BJS 6411020                    |          |          |          |         |             |
|                      |          |                     |          |                                |          |          |          |         | SHEET/REV   |
|                      |          |                     |          |                                |          |          |          |         | 1/2   E     |

KYOCERA

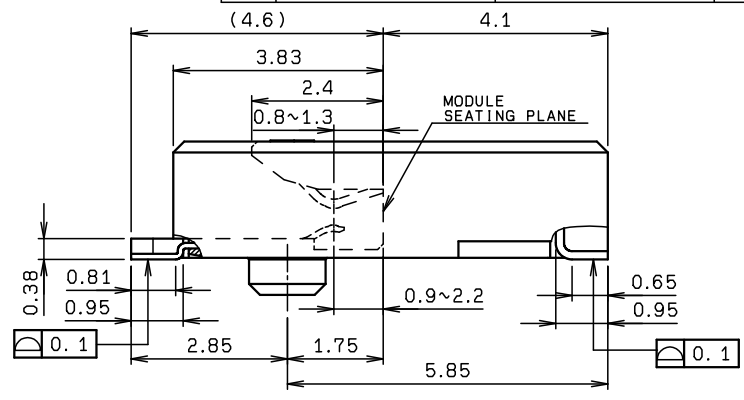
KYOCERA Corporation



ROHS規制対応  
COMPLIANT WITH  
ROHS REGULATIONS

HALOGEN FREE

| NO. | DESCRIPTION   | PART NO. | QTY | MATERIAL          | DRW NO. | REMARKS |
|-----|---------------|----------|-----|-------------------|---------|---------|
| 1   | INSULATOR     |          | 1   | HEAT RESIST RESIN |         |         |
| 2   | UPPER CONTACT |          | 34  | COPPER ALLOY      |         |         |
| 3   | LOWER CONTACT |          | 33  | COPPER ALLOY      |         |         |



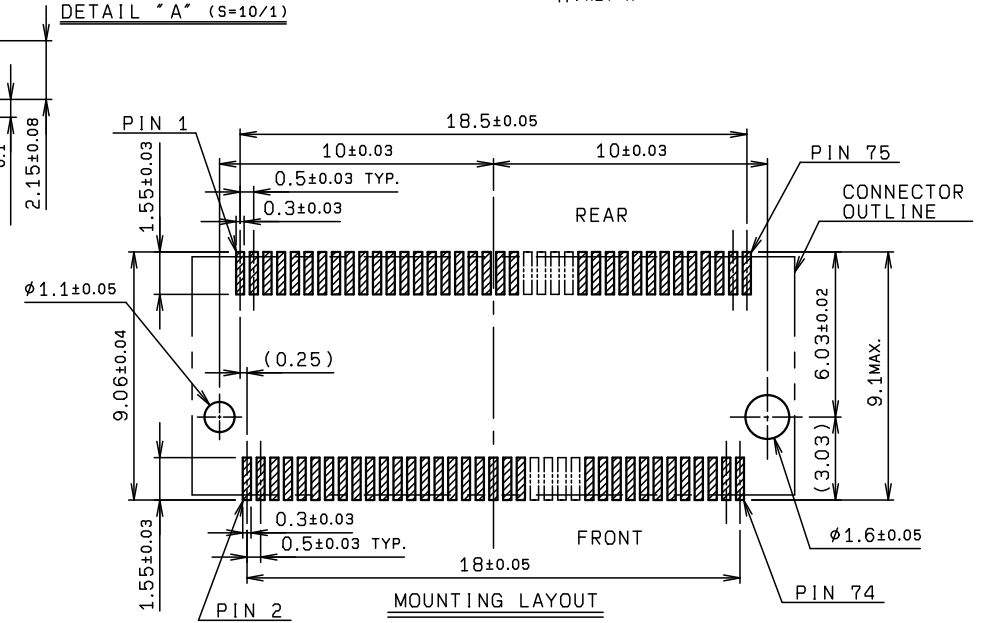
注記 NOTES

型番 20 6411 067 101 894 H  
P/N

極数 No. OF POS. \_\_\_\_\_  
PCI-SIG STANDARD \_\_\_\_\_  
1: H2.3 TYPE (HEIGHT 2.25MAX.)  
VARIATION \_\_\_\_\_  
1: WITH BOSS, WITHOUT ANCHOR PLATE

PLATING CODE \_\_\_\_\_  
894: NI UNDER COAT ALL OVER 1.5~5.0µm  
CONTACT AREA AU 0.05µm MIN.  
TAIL AREA AU 0.03µm MIN.

KEYING \_\_\_\_\_  
H: KEY H



| TOLERANCE / 一般公差(S) |          | PRODUCT SPEC / 製品規格 |          | REFER TO SHEET 1/2             |          |
|---------------------|----------|---------------------|----------|--------------------------------|----------|
| X < 10              | ±0.2     | UNIT                | ANGLE    | NO.                            | EDN/DCN  |
| 10 ≤ X < 30         | ±0.25    | mm                  | 3RD      | DATE                           | ISSUE    |
| 30 ≤ X              | ±0.3     | SCALE               | DATE     | CHECKED                        | APPROVED |
| ANGLE / 角度          | ±3°      | NTS                 | 8-01-12  | PART NAME / 品名                 |          |
| DRAWN               | DESIGNED | CHECKED             | APPROVED | SERIES 6411 ASSY RA SMT        |          |
| H. TAMAI            | H. TAMAI |                     | Y. OKABE | M. 2 CONNECTOR H2.3 TYPE KEY H |          |
|                     |          |                     |          | PART NO. / 型番                  |          |
|                     |          |                     |          | 20 6411 067 101 894 H          |          |
|                     |          |                     |          | DWG NO. / 図番                   |          |
|                     |          |                     |          | BJS 6411020                    |          |
|                     |          |                     |          | SHEET/REV                      |          |
|                     |          |                     |          | 2/2 E                          |          |