

DETAIL "B" (S=15/1)

NO.	DESCRIPTION	PART NO.	QTY	MATERIAL	DRW NO.	REMARKS
1	INSULATOR		1	HEAT RESISTING RESIN		BLACK UL94V-0
2	CONTACT		200	PHOS-BRONZE		
3	EJECT LEVER		2	HEAT RESISTING RESIN		
4	VACUUM TAPE		(1)	HEAT RESISTING TAPE		

注 記
NOTE

1. リード部輪郭度: 0.1mmMAX.
READ COPLANARITY: 0.1mm MAX.
リフト-ピーク: 0.15mmMAX.

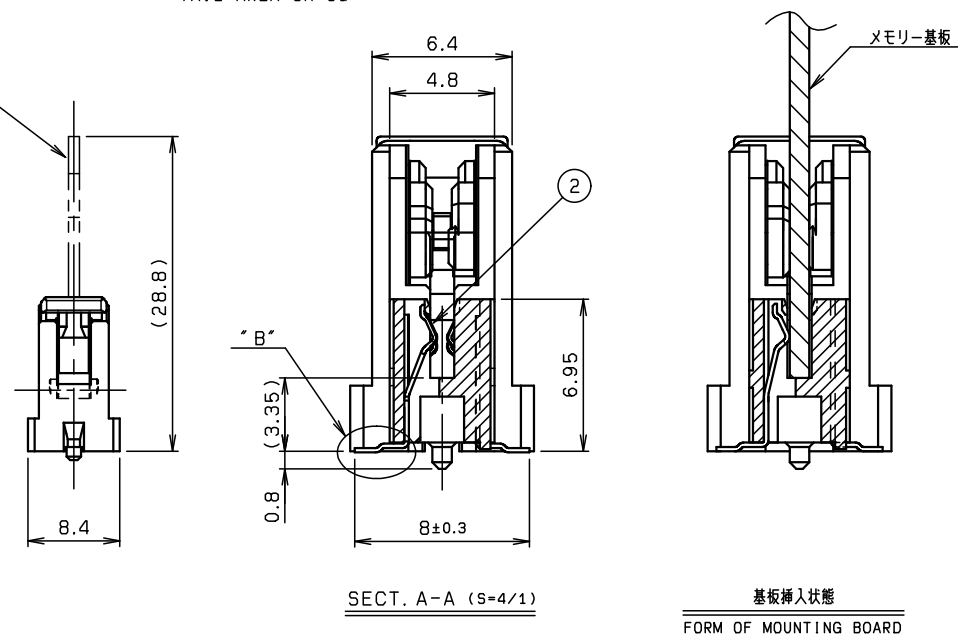
2. 肉盛み, 外形形状は変更する可能性があります。

3. 型番 20 6409 200 XXX 856 +
P/N

VARIATION
202: WITH VACUUM TAPE / LEVER CLOSED
203: WITHOUT VACUUM TAPE / LEVER OPEN
204: WITH VACUUM TAPE / LEVER OPEN

PLATING
856: CONTACT AREA Au 0.1μmMIN.
TAIL AREA Sn-Cu

4. カード側ヘッド部めっき
PAD CARD PLATING
Ni: 2μmMIN.
Au: 0.75μmMIN.
OR Au: 0.1~0.75μm + LUBRICANT OIL
(KD-Au200:CHEMICAL DENS)



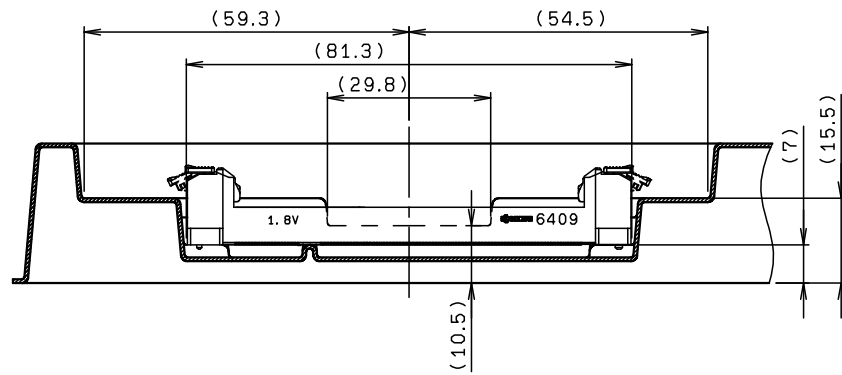
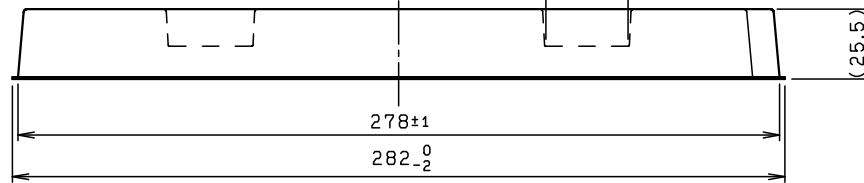
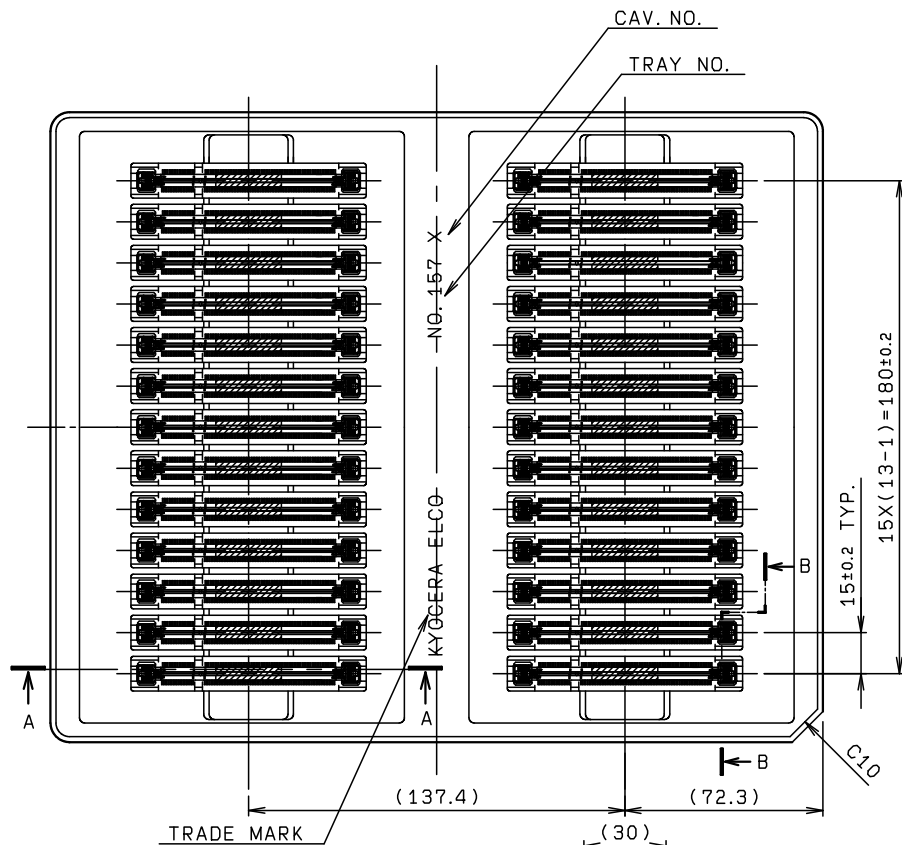
SECT. A-A (S=4/1)

基板挿入状態
FORM OF MOUNTING BOARD

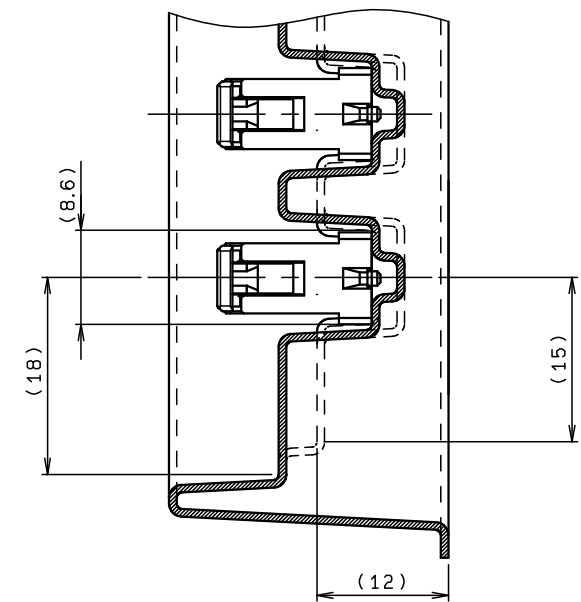
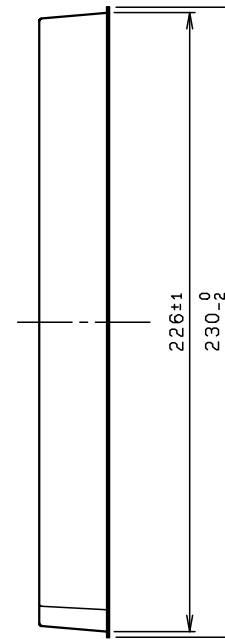
TOLERANCE / 一般公差 (S)		PRODUCT SPEC / 製品規格		C	DCN-988	11-05-12		
X < 10	±0.2			B	DCN-086	2-02-12	M. YOSHIDA	T. MORI
10 ≤ X < 30	±0.25	UNIT	ANGLE	O	EDN-699	9-29-11	M. YOSHIDA	T. MORI
30 ≤ X	±0.3	mm	3RD	NO.	EDN/DCN	DATE	ISSUE	CHECKED
ANGLE / 角度	±3°	SCALE	DATE	PART NAME / 品名				
		2 : 1	9-29-11	SERIES 6409 REC ASSY ST SMT				
DRAWN	DESIGNED	CHECKED	APPROVED	DDR SO-DIMM 0.6mmPITCH 200P (1.8V)				
M. TAKAHASHI	M. YOSHIDA		T. MORI	PART NO. / 型番				
				20 6409 200 XXX 856 +				
				DWG NO. / 図番				
				BJS 6409005				
				SHEET/REV				
				1/2 C				

ROHS規制対応
COMPLIANT WITH
ROHS REGULATIONS

NO.	DESCRIPTION	PART NO.	QTY	MATERIAL	DRW NO.	REMARKS
1	CONNECTOR	20 6409 200 XXX 856 +	26			
2	TRAY		1	PS		t=0.8



SECT. A-A (S=1/1)



SECT. B-B (S=2/1)

注記
NOTE

- 数量 26個/TRAY
QTY 26個/TRAY
- 色調 : 白
COLOR : WHITE

型番
P/N

29 6409 200 XXX 856 +
 PREFIX 29: REC TRAY ASSY
 VARIATION 202: WITH VACUUM TAPE / LEVER CLOSED
 203: WITHOUT VACUUM TAPE / LEVER OPEN
 204: WITH VACUUM TAPE / LEVER OPEN
 PLATING CODE 856: CONTACT AREA Au 0.1μmMIN.
 TAIL AREA Sn-Cu

ROHS規制対応
COMPLIANT WITH
ROHS REGULATIONS

TOLERANCE / 一般公差(S)		PRODUCT SPEC / 製品規格							
X < 10	±0.2	UNIT	ANGLE	A	DCN-749	10-18-11			
10 ≤ X < 30	±0.25	mm	3RD	O	EDN-699	9-29-11	M. YOSHIDA		T. MORI
30 ≤ X	±0.3			NO.	EDN/DCN	DATE	ISSUE	CHECKED	APPROVED
ANGLE / 角度	±3°	SCALE	DATE	PART NAME / 品名					
		11:2	9-29-11	SERIES 6409 TRAY ASSY					
DRAWN	DESIGNED	CHECKED	APPROVED	DDR_S.O.-DIMM (1.8V) 200p					
M. TAKAHASHI	M. YOSHIDA		T. MORI	PART NO. / 型番					
				29 6409 200 XXX 856 +					
				DWG NO. / 図番					
				BJS 6409006					
									SHEET REV
									1 / 1 A