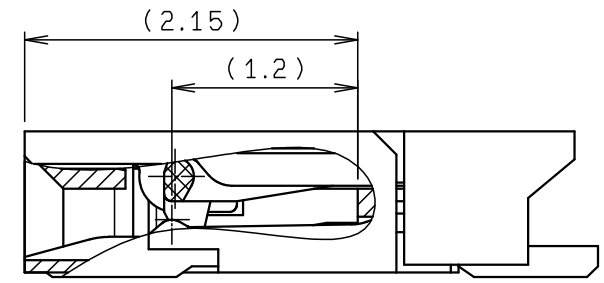
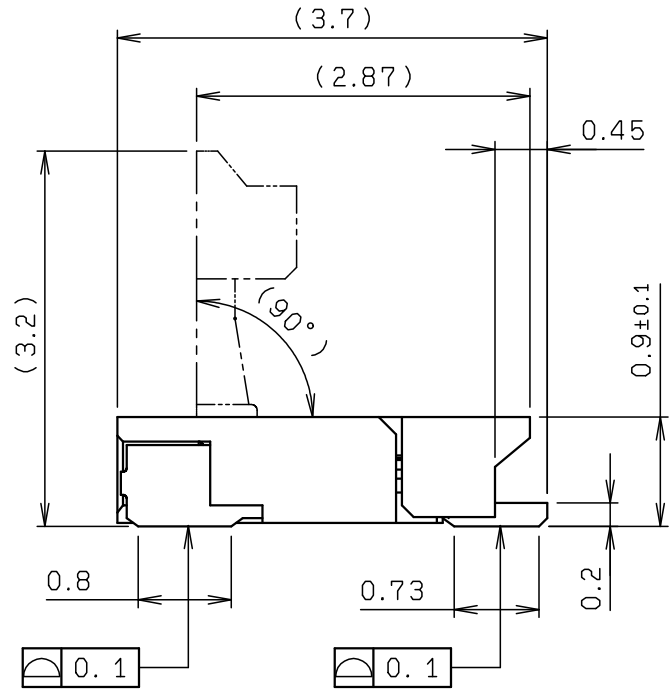


推奨基板取付け寸法
MOUNTING LAYOUT

NO.	DESCRIPTION	PART NO.	QTY	MATERIAL	DRW NO.	REMARKS
1	INSULATOR		1	HEAT RESISTING PLASTIC		UL94V-0
2	ACTUATOR		1	HEAT RESISTING PLASTIC		UL94V-0
3	CONTACT		N	PHOS-BRONZE		t=0.15 AU 0.1μmMIN.
4	ANCHOR PLATE		2	BRASS		t=0.2 Sn-Cu 2μmMIN.



SECT. X-X
(S=20:1)



極数 NO. OF POS.	A	B	C
3	1.0	3.9	2.1
4	1.5	4.4	2.6
5	2.0	4.9	3.1
6	2.5	5.4	3.6

※この表は1, 2ページ目にのみ適用
※THIS CHART IS APPLICABLE TO
PAGE-1 AND PAGE-2 ONLY.

注記
NOTE

1. コンタクトテール及び固定金具は基板より最大浮き0.1とする。
CONTACT TAIL AND ANCHOR PLATE HEIGHT
SHALL BE 0.1MAX.

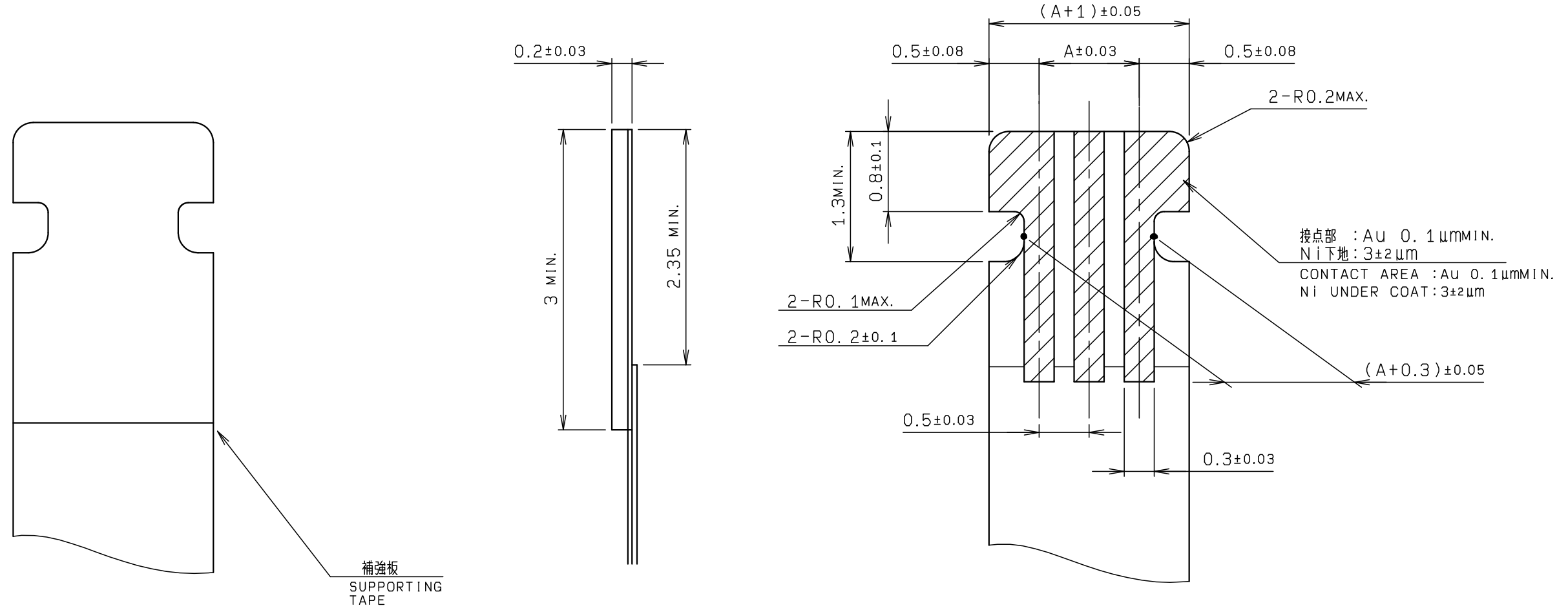
※この注記は1, 2ページ目にのみ適用
※THIS NOTE IS APPLICABLE TO PAGE-1
AND PAGE-2 ONLY.

ROHS規制対応
COMPLIANT WITH
ROHS REGULATIONS

TOLERANCE / 一般公差(S)		PRODUCT SPEC / 製品規格		F	DCN18056	2018/01/23				
X < 10	±0.2			E	DCN-498	2005/04/11	K. MURAKAMI	A. HAGIWARA	N. HAYASHI	
10 ≤ X < 30	±0.25	UNIT	ANGLE	O	EDN-167	2002/03/04	A. HAGIWARA	T. SATOH	N. HAYASHI	
30 ≤ X	±0.3	mm	3RD	NO.	EDN/DCN	DATE	ISSUE	CHECKED	APPROVED	
ANGLE / 角度	±3°	SCALE	DATE	PART NAME / 品名						
		15:1	2002/03/04	SERIES 6298 FPC ASSY RA SMT 0.5mm PITCH ZIF TYPE H=0.9						
DRAWN	DESIGNED	CHECKED	APPROVED	PART NO. / 型番						
A. HAGIWARA	A. HAGIWARA	T. SATOH	N. HAYASHI	04 6298 OXX 000 883 +						
DRAWN / 図番				DWG NO. / 図番				SHEET / REV		
BJS 6298002				BJS 6298002				1/3 F		

KYOCERA Corporation

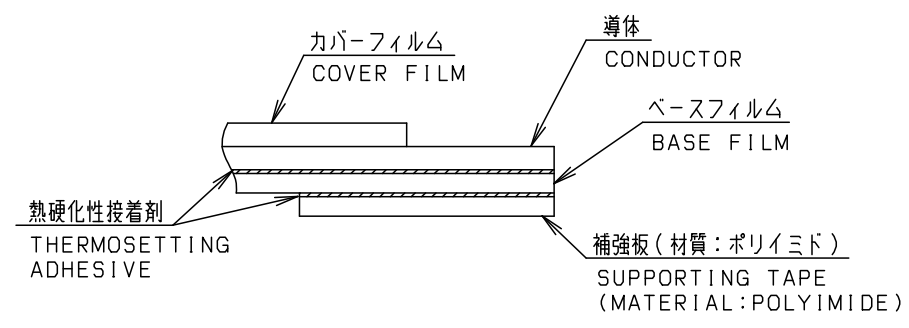
NO.	DESCRIPTION	PART NO.	QTY	MATERIAL	DRW NO.	REMARKS
-----	-------------	----------	-----	----------	---------	---------



適用FPC寸法
APPLICABLE FPC

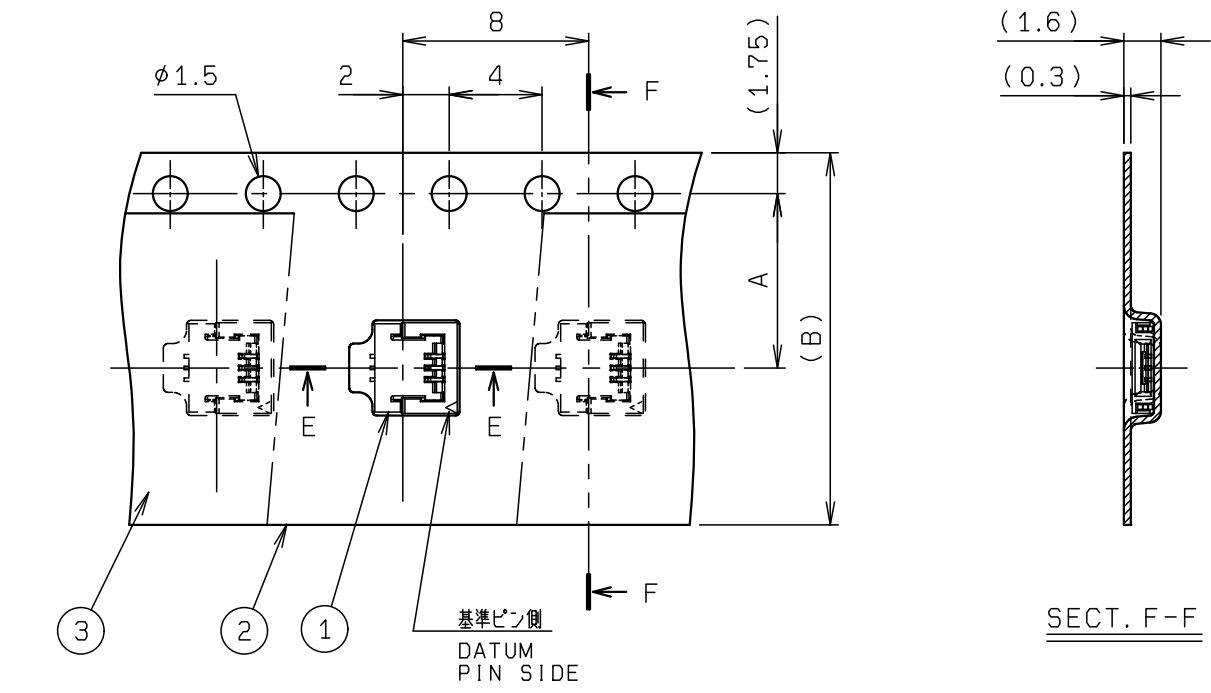
FPC構成
FPC STRUCTURE

ROHS規制対応
COMPLIANT WITH
ROHS REGULATIONS



TOLERANCE / 一般公差(S)		PRODUCT SPEC / 製品規格									
X < 10	±0.2	UNIT	ANGLE	REFER TO SHEET		1/3					
10 ≤ X < 30	±0.25	mm	3RD	NO.	EDN/DCN	DATE	ISSUE	CHECKED	APPROVED		
30 ≤ X	±0.3	SCALE	DATE	PART NAME / 品名							
ANGLE / 角度	±3°	NTS	2002/03/04	SERIES 6298 FPC ASSY RA SMT 0.5mm PITCH ZIF TYPE H=0.9							
DRAWN	DESIGNED	CHECKED	APPROVED	PART NO. / 型番							
A. HAGIWARA	A. HAGIWARA	T. SATOH	N. HAYASHI	04 6298 OXX 000 883 +							
KYOCERA Corporation				DWG NO. / 図番				SHEET/REV			
				BJS 6298002				12/3 F			

NO.	DESCRIPTION	PART NO.	QTY	MATERIAL	DRW NO.	REMARKS
1	CONNECTOR	04 6298 OXX 000 883 +	3000			00 6298 OXX 000 883 +
2	EMBOSSSED TAPE		1	POLYSTYRENE		
3	TOP COVER TAPE		1	POLYSTYRENE		
4	REEL		1	POLYSTYRENE		



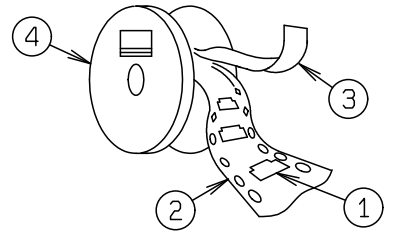
種数 NO. OF POS.	A	B	C
3	7.5	16.0	22.4
4	7.5	16.0	22.4
5	7.5	16.0	22.4
6	7.5	16.0	22.4

※この表は3ページ目にも適用
 ※THIS CHART IS APPLICABLE TO PAGE-3 ONLY.

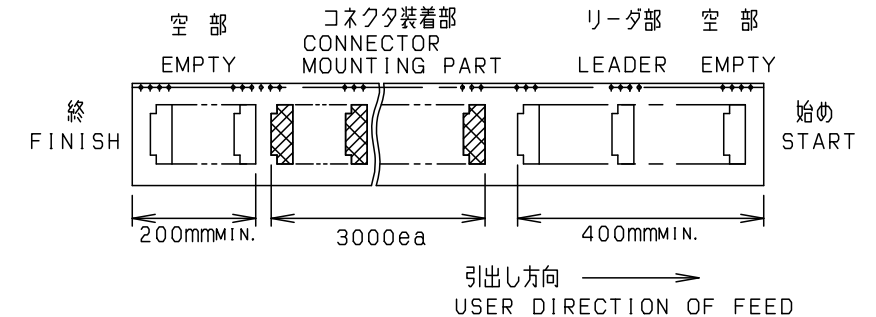
注記
NOTE

1. 梱包数量 : 3000個/リール
 PACKING QUANTITY : 3000 ea/reel

2. 納入時のリール巻き方向
 REELING DIRECTION IN DELIVERY

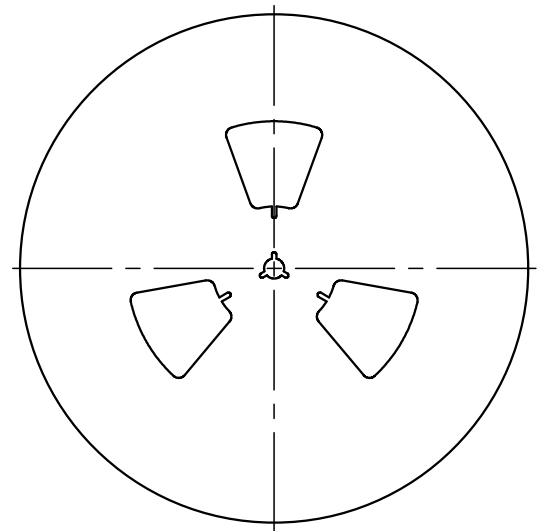
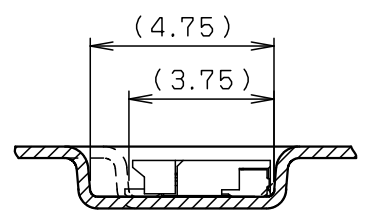


3. 引出し方向
 USER DIRECTION OF FEED

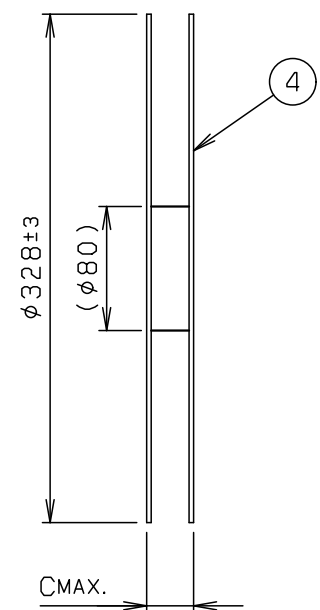


4. 型番 P/N 04 6298 OXX 000 883 +
 種数 NO. OF POS.
 めっき PLATING 883 + : Au PLATED (ANCHOR PLATE : Sn-Cu PLATED)

※この注記の1~3は3ページ目にも適用
 ※THIS NOTES 1 TO 3 ARE APPLICABLE TO SHEET-3 ONLY.



REEL DIMENSION (s=1:5)



ROHS規制対応
 COMPLIANT WITH
 ROHS REGULATIONS

TOLERANCE / 一般公差 (S)		PRODUCT SPEC / 製品規格		REFER TO SHEET 1/3		
X < 10	± 0.2	UNIT	ANGLE	NO.	EDN/DCN	DATE
10 \leq X < 30	± 0.25	mm	3RD	ISSUE	CHECKED	APPROVED
30 \leq X	± 0.3	SCALE	DATE	PART NAME / 品名		
ANGLE / 角度	$\pm 3^\circ$	3 : 1	2002/03/04	EMBOSS TAPE ASSY FPC ASSY RA SMT 0.5mm PITCH ZIF TYPE		
DRAWN	DESIGNED	CHECKED	APPROVED	PART NO. / 型番		
A. HAGIWARA	A. HAGIWARA	T. SATOH	N. HAYASHI	04 6298 OXX 000 883 +		
KYOCERA Corporation				DWG NO. / 図番		SHEET/REV
				BJS 6298002		13/3 F