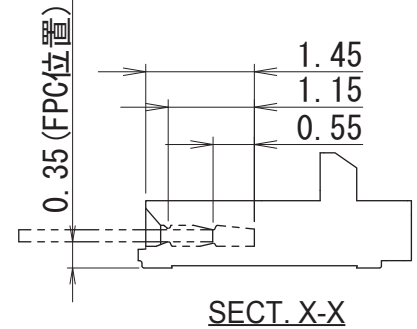
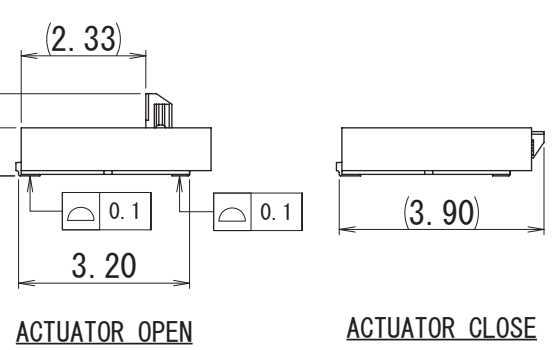


NO.	DESCRIPTION	PART NO.	QTY	MATERIAL	DRW NO.	REMARKS
1	INSULATOR		1	HEAT RESISTANCE PLASTIC		UL94 V-0
2	ACTUATOR		1	HEAT RESISTANCE PLASTIC		UL94 V-0
3	FRONT CONTACT		$\frac{N+1}{2}$	PHOS-BRONZE		$t=0.12$ Au
4	REAR CONTACT		$\frac{N-1}{2}$	PHOS-BRONZE		$t=0.12$ Au



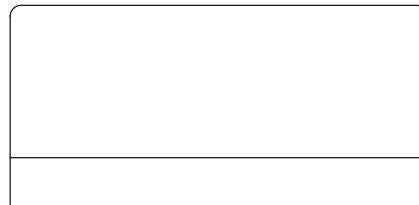
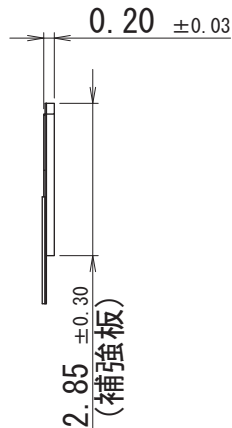
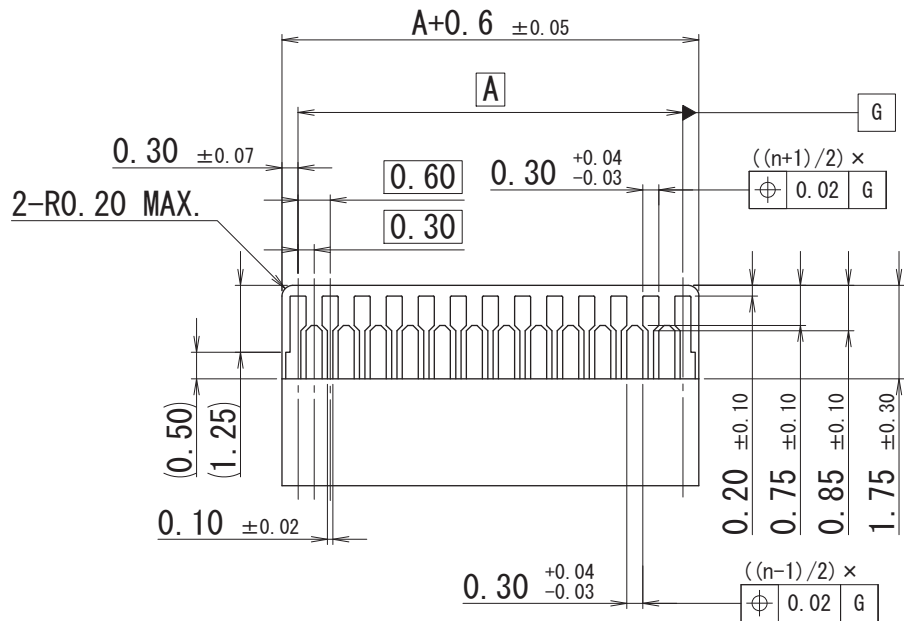
極数 NO. OF POS.	A	B	C
9	2.4	4.3	3.02
11	3.0	4.9	3.62
13	3.6	5.5	4.22
15	4.2	6.1	4.82
17	4.8	6.7	5.42
19	5.4	7.3	6.02
21	6.0	7.9	6.62
23	6.6	8.5	7.22
25	7.2	9.1	7.82
27	7.8	9.7	8.42
29	8.4	10.3	9.02
31	9.0	10.9	9.62
33	9.6	11.5	10.22
35	10.2	12.1	10.82
37	10.8	12.7	11.42
39	11.4	13.3	12.02

※この表は1, 2ページ目にも適用
 ※THIS CHART IS APPLICABLE TO
 SHEET-1 AND SHEET-2 ONLY.



**RoHS規制対応
 COMPLIANT WITH
 RoHS REGULATIONS**

TOLERANCE / 一般公差(S)		PRODUCT SPEC / 製品規格		PART NAME / 品名					
$X < 10$	± 0.2	UNIT	ANGLE	0	EDN23023	2023/02/03	R. NAKAJIMA	S. MORITA	N. NAKAJIMA
$10 \leq X < 30$	± 0.25	mm	3RD	NO.	EDN/DCN	DATE	ISSUE	CHECKED	APPROVED
$30 \leq X$	± 0.3	SCALE	DATE	0.3mm PITCH RA SMT FPC CONNECTOR					
ANGLE / 角度	$\pm 3^\circ$	10:1	2023/02/03	PART NO. / 型番 04 6293 6XX 105 468 +					
DRAWN	DESIGNED	CHECKED	APPROVED	DWG NO. / 図番 BJS 6293058					
R. NAKAJIMA	R. NAKAJIMA	S. MORITA	N. NAKAJIMA	SHEET REV 1/3 0					
KYOCERA									

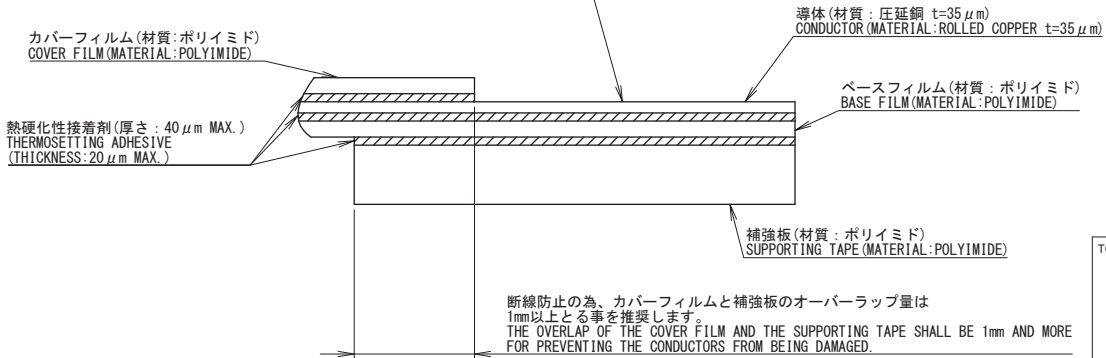


推奨FPC寸法
RECOMMENDED FPC

FPC構成
FPC STRUCTURE

(推奨仕様)
RECOMMENDED SPECIFICATION

表面処理 PLATING	仕様 SPECIFICATION
金メッキ Au PLATING	Ni UNDER COAT : 3±2 μm Au : 0.05 μm MIN. 電解めっき ELECTRO PLATING



RoHS規制対応
COMPLIANT WITH
RoHS REGULATIONS

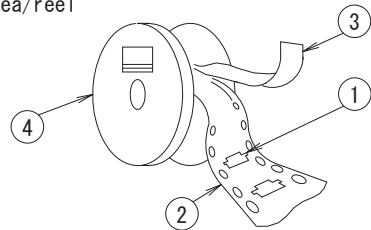
TOLERANCE / 一般公差(S)		PRODUCT SPEC / 製品規格		REFER TO SHEET 1/3					
$X < 10$	±0.2	UNIT	ANGLE	NO.	EDN/DCN	DATE	ISSUE	CHECKED	APPROVED
$10 \leq X < 30$	±0.25	mm	3RD	PART NAME / 品名					
$30 \leq X$	±0.3	SCALE	DATE	0.3mm PITCH RA SMT FPC CONNECTOR					
ANGLE / 角度	±3°	10:1	2023/02/03	DRAWN / 製番					
DRAWN	DESIGNED	CHECKED	APPROVED	04 6293 6XX 105 468 +					
R. NAKAJIMA	R. NAKAJIMA	S. MORITA	N. NAKAJIMA	DWG NO. / 図番					
KYOCERA				BJS 6293058					
				SHEET				REV	
				2/3		0			

NO.	DESCRIPTION	PART NO.	QTY	MATERIAL	DRW NO.	REMARKS
1	CONNECTOR	04 6293 6XX 105 468 +	5000			
2	EMBOSSED TAPE		1	POLYSTYRENE		
3	TOP COVER TAPE		1	POLYSTYRENE		
4	REEL		1	POLYSTYRENE		

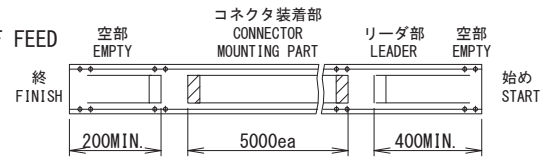
注記
NOTE

1. 梱包数量 : 5000個/リール
PACKING QUANTITY : 5000 ea/reel

2. 納入時のリール巻き方向
REELING DIRECTION
IN DELIVERY



3. 引き出し方向
USER DIRECTION OF FEED



4. 型番
P/N

04 6293 6XX 105 468 +

バリエーション
VARIATION

6 : ハロゲンフリー
HALOGEN FREE

極数
NO. OF POS.

バリエーション
VARIATION

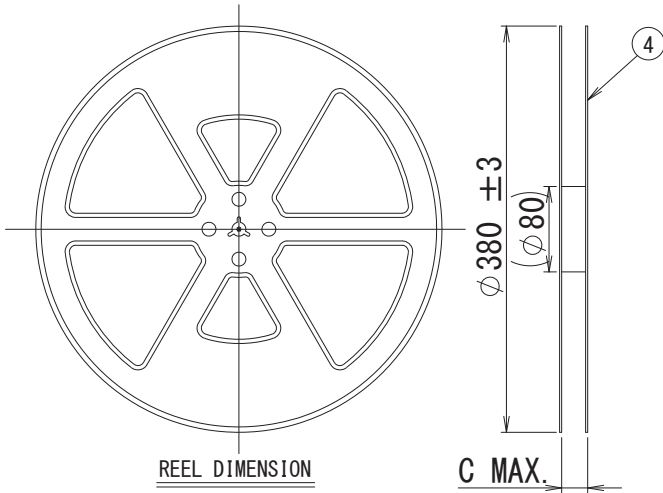
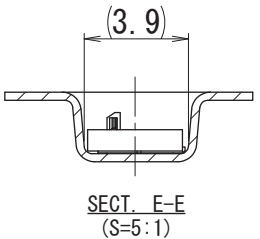
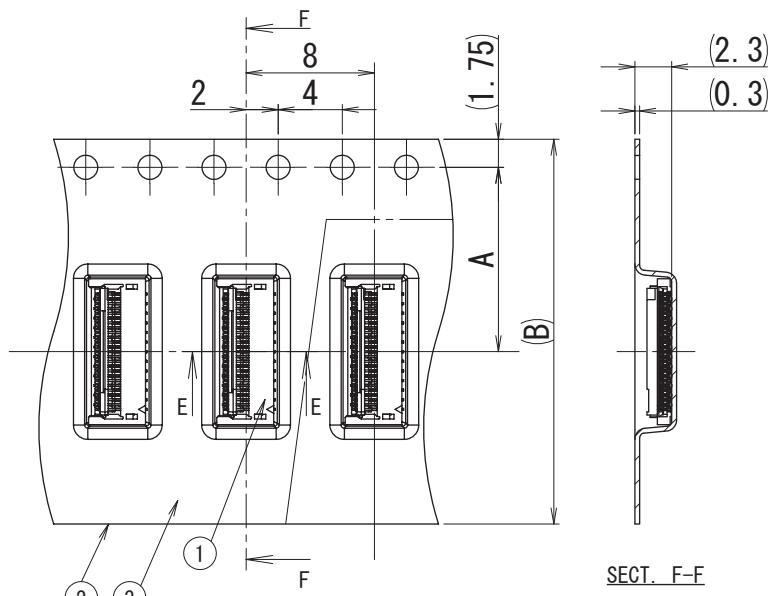
1 : FPC厚0.2mm
FPC THICKNESS 0.2mm

めっきコード
PLATING CODE

468 + : Au (SELECTIVE, WITH NI DAM)

極数 NO. OF POS.	A	B	C
9	7.5	16.0	22.4
11	7.5	16.0	22.4
13	7.5	16.0	22.4
15	7.5	16.0	22.4
17	7.5	16.0	22.4
19	7.5	16.0	22.4
21	7.5	16.0	22.4
23	11.5	24.0	30.4
25	11.5	24.0	30.4
27	11.5	24.0	30.4
29	11.5	24.0	30.4
31	11.5	24.0	30.4
33	11.5	24.0	30.4
35	11.5	24.0	30.4
37	11.5	24.0	30.4
39	11.5	24.0	30.4

※この表は3ページ目にも適用
※THIS CHART IS APPLICABLE TO
SHEET-3 ONLY.



RoHS規制対応
COMPLIANT WITH
RoHS REGULATIONS

TOLERANCE / 一般公差(S)		PRODUCT SPEC / 製品規格		REFER TO SHEET 1/3					
$X < 10$	±0.2	UNIT	ANGLE	NO.	EDN/DCN	DATE	ISSUE	CHECKED	APPROVED
$10 \leq X < 30$	±0.25	mm	3RD	PART NAME / 品名					
$30 \leq X$	±0.3	SCALE	DATE	0.3mm PITCH RA SMT FPC CONNECTOR					
ANGLE / 角度	±3°	3:1	2023/02/03	DRAWN / 製番					
				04 6293 6XX 105 468 +					
				DWG NO. / 図番					
				BJS 6293058					
				SHEET				REV	
				3/3				0	