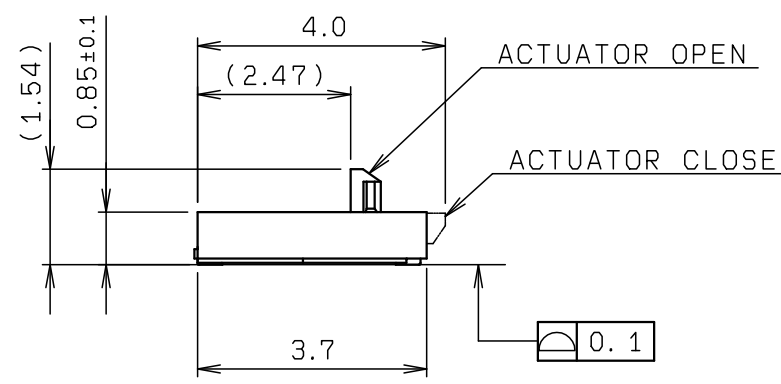
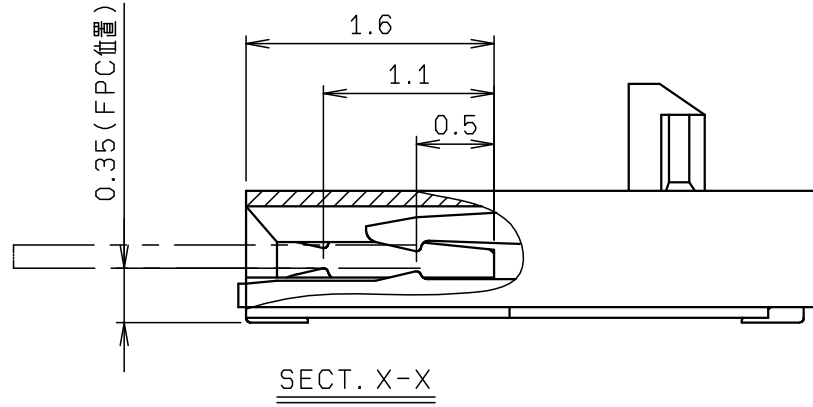
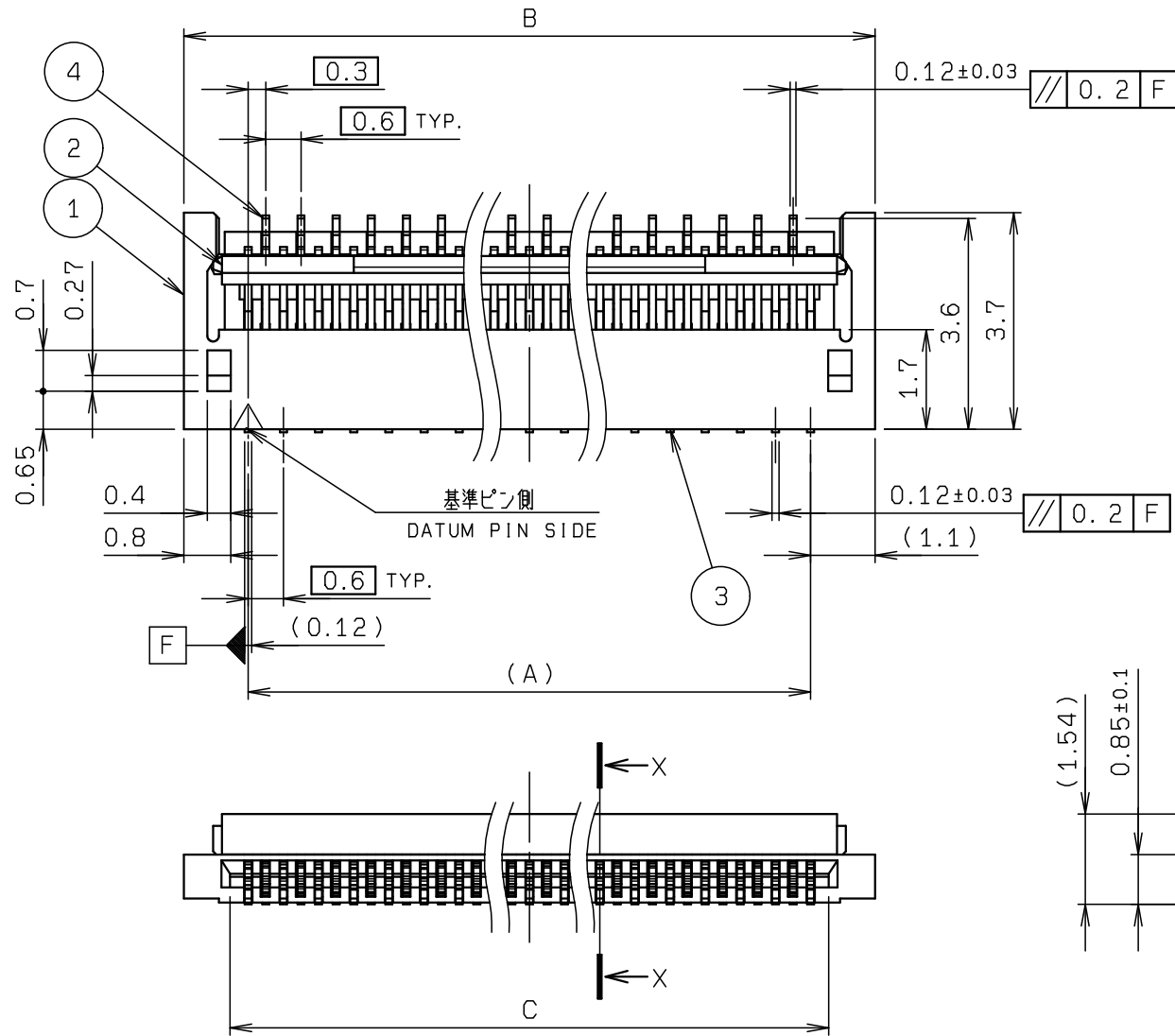
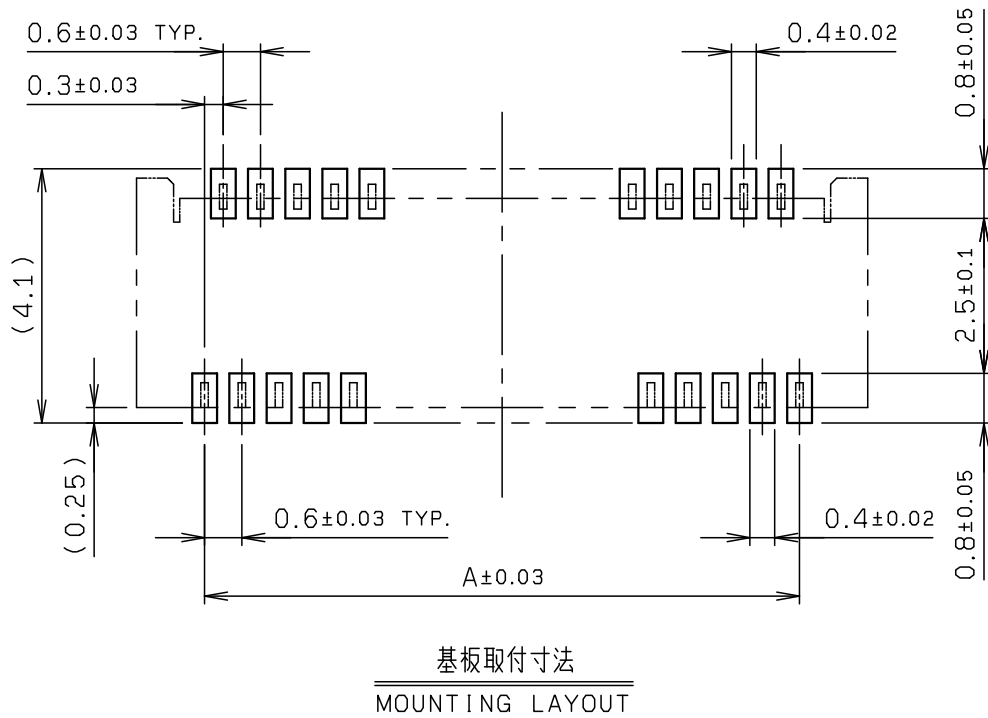


NO.	DESCRIPTION	PART NO.	QTY	MATERIAL	DRW NO.	REMARKS
1	INSULATOR		1	HEAT RESISTANCE PLASTIC		COLOR: WHITE UL94V-0
2	ACTUATOR		1	HEAT RESISTANCE PLASTIC		COLOR: BLACK UL94V-0
3	FRONT CONTACT		$\frac{N+1}{2}$	PHOS-BRONZE		t=0.12 AU
4	REAR CONTACT		$\frac{N-1}{2}$	PHOS-BRONZE		t=0.12 AU



極数 NO. OF POS.	A	B	C
9	2.4	4.6	3.0
11	3.0	5.2	3.6
13	3.6	5.8	4.2
15	4.2	6.4	4.8
17	4.8	7.0	5.4
19	5.4	7.6	6.0
21	6.0	8.2	6.6
23	6.6	8.8	7.2
25	7.2	9.4	7.8
27	7.8	10.0	8.4
29	8.4	10.6	9.0
31	9.0	11.2	9.6
33	9.6	11.8	10.2
35	10.2	12.4	10.8
37	10.8	13.0	11.4
39	11.4	13.6	12.0
41	12.0	14.2	12.6
43	12.6	14.8	13.2
45	13.2	15.4	13.8
47	13.8	16.0	14.4
49	14.4	16.6	15.0
51	15.0	17.2	15.6

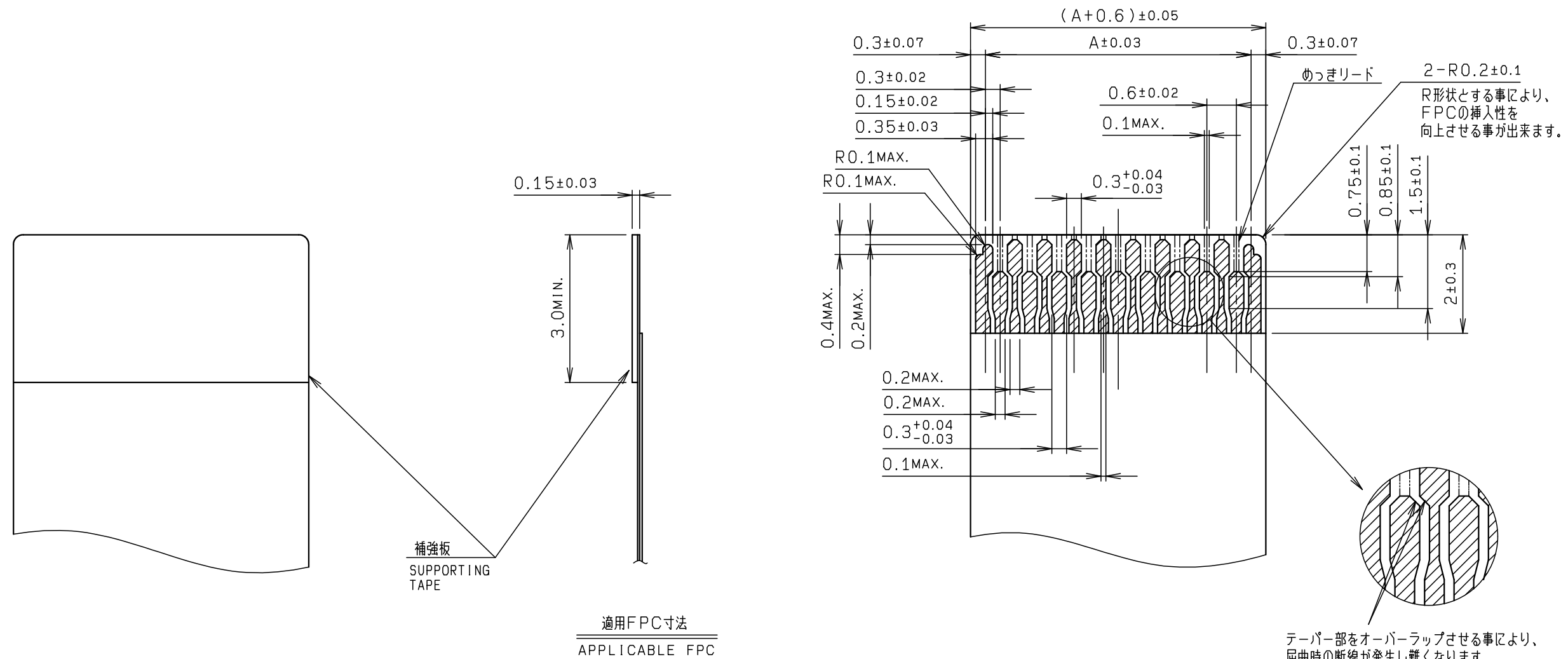
※この表は1, 2ページ目にのみ適用
 ※THIS CHART IS APPLICABLE TO SHEET-1 AND SHEET-2 ONLY.



ROHS規制対応
 COMPLIANT WITH
 ROHS REGULATIONS

TOLERANCE / 一般公差(S)		PRODUCT SPEC / 製品規格							
X < 10	±0.2			A	DCN23211	2023/05/31	R. NAKAJIMA	S. MORITA	N. NAKAJIMA
10 ≤ X < 30	±0.25	UNIT	ANGLE	O	EDN-178	2016/05/07	Y. MANBA	N. NAKAJIMA	Y. FUJII
30 ≤ X	±0.3	mm	3RD	NO.	EDN/DCN	DATE	ISSUE	CHECKED	APPROVED
ANGLE / 角度	±3°	SCALE	DATE	PART NAME / 品名					
		NTS	2016/05/07	0.3mm PITCH RA SMT FPC CONNECTOR ASSY					
DRAWN	DESIGNED	CHECKED	APPROVED	PART NO. / 型番					
M. TAKAHASHI	Y. MANBA	N. NAKAJIMA	Y. FUJII	04 6293 XXX 005 829 +					
				DWG NO. / 図番		DATE		SHEET / REV	
				BJS 6293053		1/3		A	

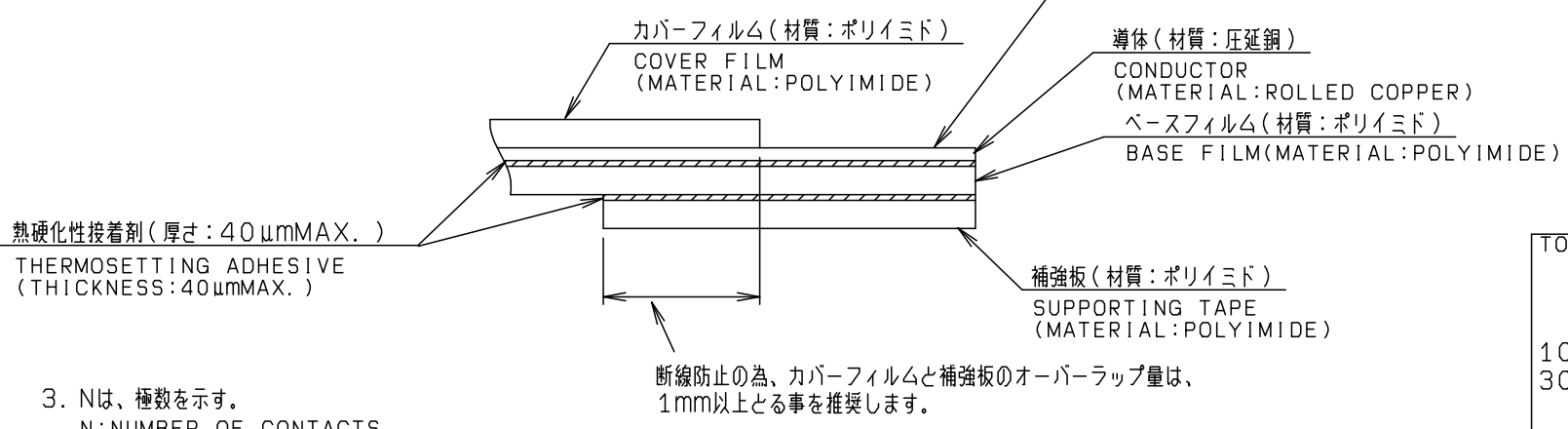
NO.	DESCRIPTION	PART NO.	QTY	MATERIAL	DRW NO.	REMARKS
-----	-------------	----------	-----	----------	---------	---------



注記
NOTE

1. コンタクトテールは、基板より最大浮き0.1とする。
FLOATING FROM BOARD OF CONTACT TAIL SHALL BE 0.1MAX.

2. 推奨FPC構成
RECOMMENDED FPC STRUCTURE



3. Nは、極数を示す。
N: NUMBER OF CONTACTS

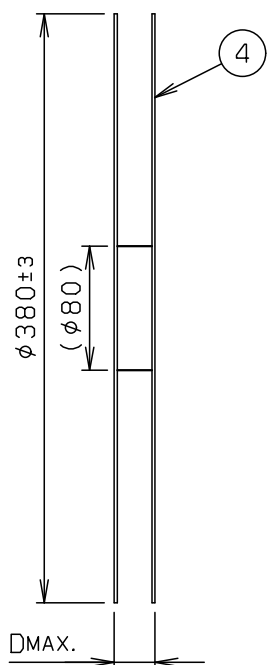
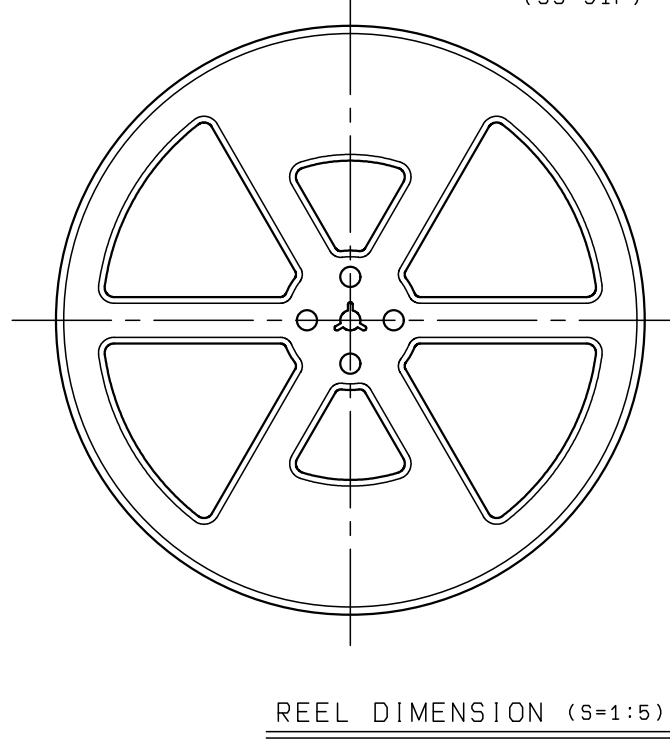
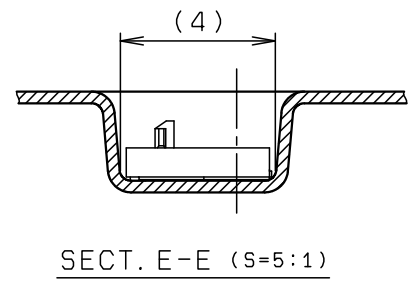
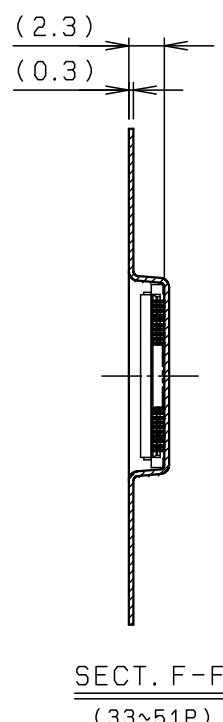
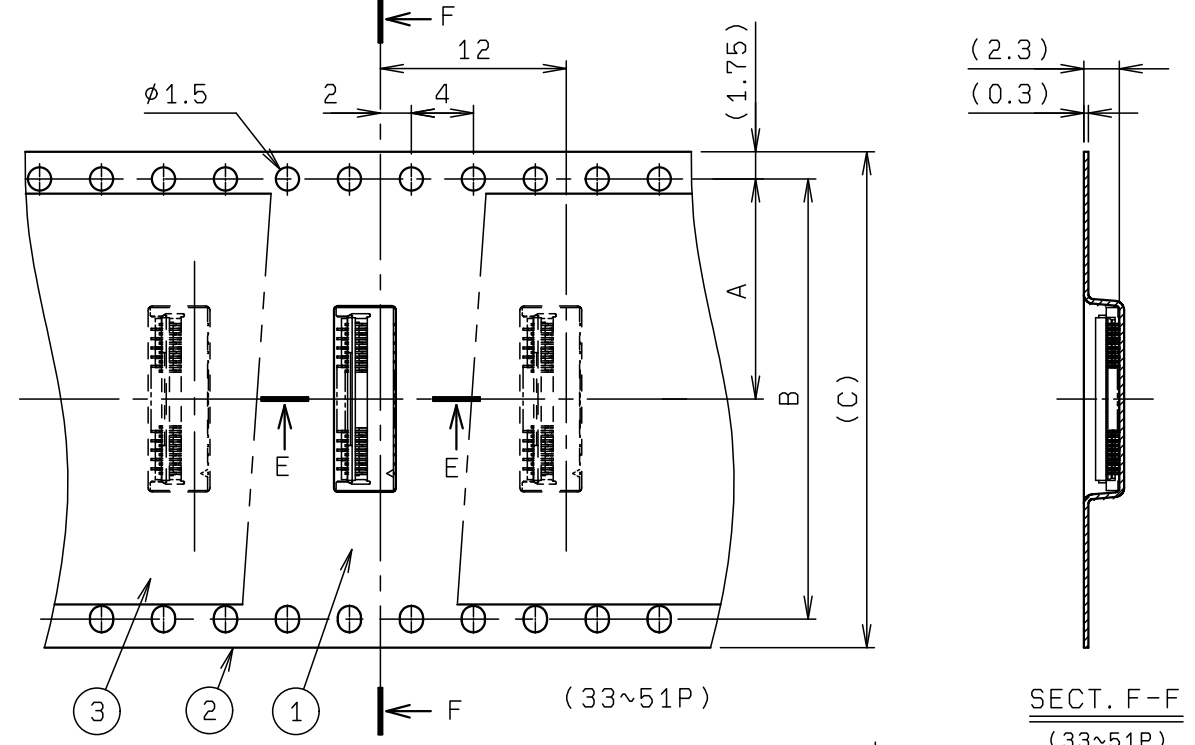
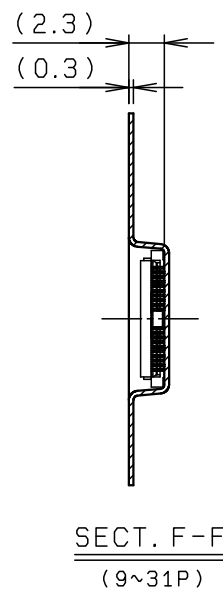
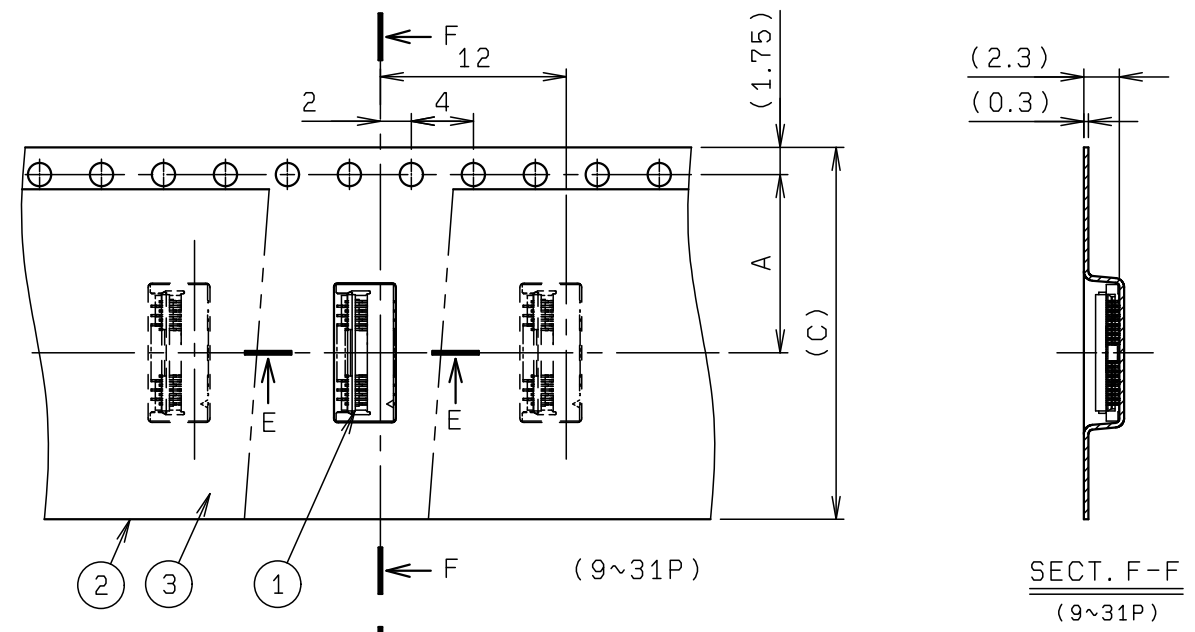
※この注記は1, 2ページ目のみ適用
※THIS NOTE IS APPLICABLE TO SHEET-1 AND SHEET-2 ONLY.

※この表は1, 2ページ目のみ適用
※THIS CHART IS APPLICABLE TO SHEET-1 AND SHEET-2 ONLY.

ROHS規制対応
COMPLIANT WITH
ROHS REGULATIONS

TOLERANCE / 一般公差(S)		PRODUCT SPEC / 製品規格			
X < 10	±0.2	UNIT	ANGLE	REFER TO SHEET 1/3	
10 ≤ X < 30	±0.25	mm	3RD	NO.	EDN/DCN
30 ≤ X	±0.3	SCALE	DATE	DATE	ISSUE
ANGLE / 角度	±3°	NTS	2016/05/07	CHECKED	APPROVED
DRAWN	DESIGNED	CHECKED	APPROVED	PART NAME / 品名	
M. TAKAHASHI	Y. MANBA	N. NAKAJIMA	Y. FUJII	0.3mm PITCH RA SMT FPC CONNECTOR ASSY	
DRAWN				PART NO. / 型番	
M. TAKAHASHI				04 6293 XXX 005 829 +	
DESIGNED				DWG NO. / 図番	
Y. MANBA				BJS 6293053	
CHECKED				SHEET/REV	
N. NAKAJIMA				12/3 A	
APPROVED					
Y. FUJII					

ROHS規制対応
COMPLIANT WITH
ROHS REGULATIONS



NO.	DESCRIPTION	PART NO.	QTY	MATERIAL	DRW NO.	REMARKS
1	CONNECTOR	04 6293 XXX 005 829 +	2000			00 6293 XXX 005 829 +
2	EMBOSSSED TAPE		1	POLYSTYRENE		
3	TOP COVER TAPE		1	POLYSTYRENE		
4	REEL		1	POLYSTYRENE		

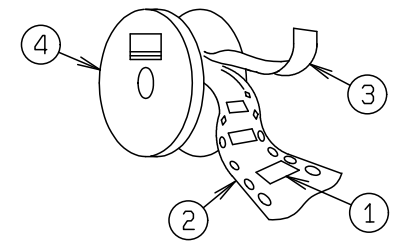
極数 NO. OF POS.	A	B	C	D
9	7.5	-	16.0	22.4
11	7.5	-	16.0	22.4
13	7.5	-	16.0	22.4
15	7.5	-	16.0	22.4
17	11.5	-	24.0	30.4
19	11.5	-	24.0	30.4
21	11.5	-	24.0	30.4
23	11.5	-	24.0	30.4
25	11.5	-	24.0	30.4
27	11.5	-	24.0	30.4
29	11.5	-	24.0	30.4
31	11.5	-	24.0	30.4
33	14.2	28.4	32.0	38.4
35	14.2	28.4	32.0	38.4
37	14.2	28.4	32.0	38.4
39	14.2	28.4	32.0	38.4
41	14.2	28.4	32.0	38.4
43	14.2	28.4	32.0	38.4
45	14.2	28.4	32.0	38.4
47	14.2	28.4	32.0	38.4
49	14.2	28.4	32.0	38.4
51	14.2	28.4	32.0	38.4

※この表は3ページ目のみ適用
※THIS CHART IS APPLICABLE TO SHEET-3 ONLY.

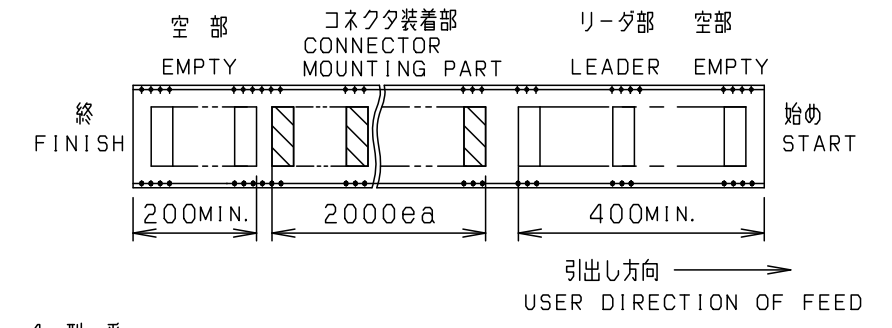
注記
NOTE

1. 梱包数量 : 2000 個/リール
PACKING QUANTITY : 2000 ea/reel

2. 納入時のリール巻き方向
REELING DIRECTION
IN DELIVERY



3. 引出し方向
USER DIRECTION OF FEED



4. 型番
P/N

04 6293 XXX 005 829 +

バリエーション
VARIATION
0 : 標準品
STANDARD
6 : ハロゲンフリー対応品
HALOGEN Free

極数
NO. OF POS.

バリエーション
VARIATION
5 : コアホール拡大品
CORE HOLE EXTENSION TYPE

めっきコード
PLATING CODE
829 + : AU (WITH Ni DAM)

※この注記の1~3は3ページ目のみ適用
※THESE NOTES 1 TO 3 ARE APPLICABLE TO SHEET-3 ONLY.

TOLERANCE / 一般公差 (S)		PRODUCT SPEC / 製品規格		REFER TO SHEET 1/3					
X < 10	±0.2	UNIT	ANGLE	NO.	EDN/DCN	DATE	ISSUE	CHECKED	APPROVED
10 ≤ X < 30	±0.25	mm	3RD	PART NAME / 品名					
30 ≤ X	±0.3	SCALE	DATE	0.3mm PITCH RA SMT FPC CONNECTOR					
ANGLE / 角度	±3°	3 : 1	2016/05/07	EMBOSS TAPE ASSY					
DRAWN	DESIGNED	CHECKED	APPROVED	PART NO. / 型番					
M. TAKAHASHI	Y. MANBA	N. NAKAJIMA	Y. FUJII	04 6293 XXX 005 829 +					
DWG NO. / 図番				SHEET/REV					
BJS 6293053				13/3 A					

