

推奨パターン寸法  
RECOMMENDED PATTERN LAYOUT

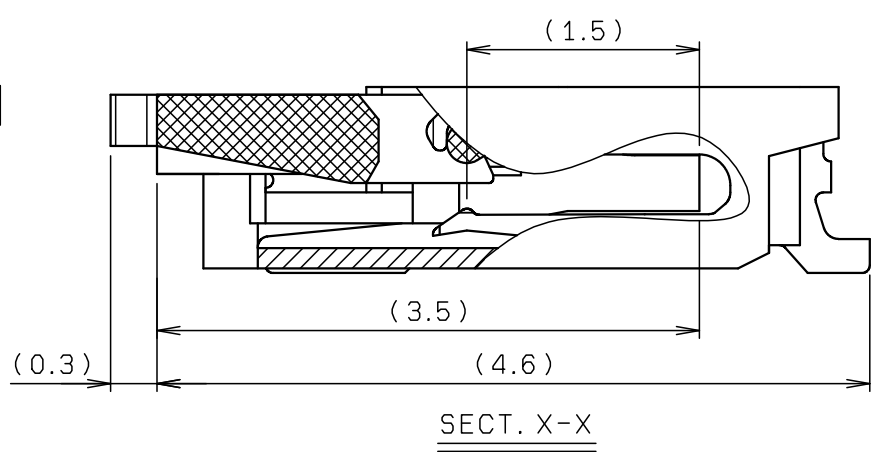
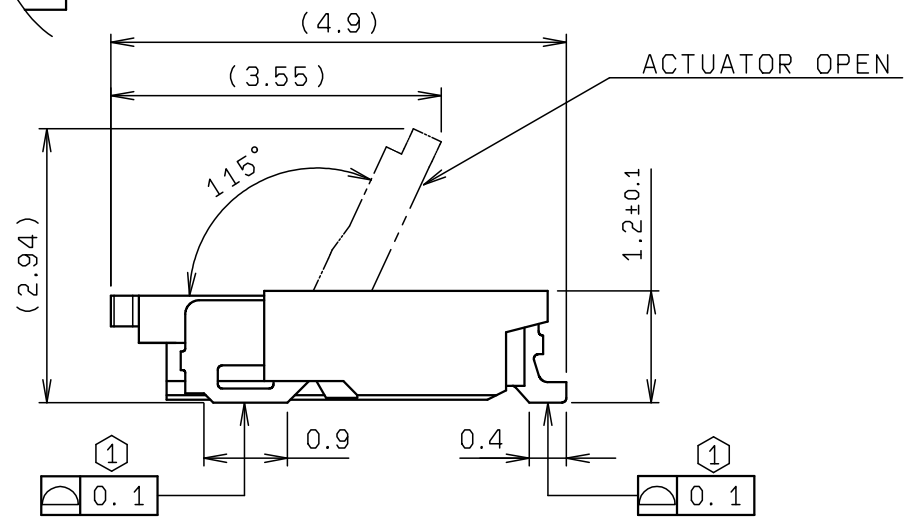
NO.	DESCRIPTION	PART NO.	QTY	MATERIAL	DRW NO.	REMARKS
1	INSULATOR		1	HEAT RESISTANCE PLASTIC		COLOR: WHITE
2	ACTUATOR		1	HEAT RESISTANCE PLASTIC		COLOR: BLACK
3	CONTACT		N	PHOS-BRONZE		t=0.15 AU
4	ANCHOR PLATE		2	BRASS		t=0.15 Sn-Cu

注記  
NOTE

① コンタクトテール及び固定金具は基板より最大浮き0.1mmとする。  
CONTACT TAIL AND ANCHOR PLATE HEIGHT SHALL BE 0.1MAX.

※この注記は1, 2ページ目のみ適用  
※THIS NOTES IS APPLICABLE TO SHEET-1 AND SHEET-2 ONLY.

76P



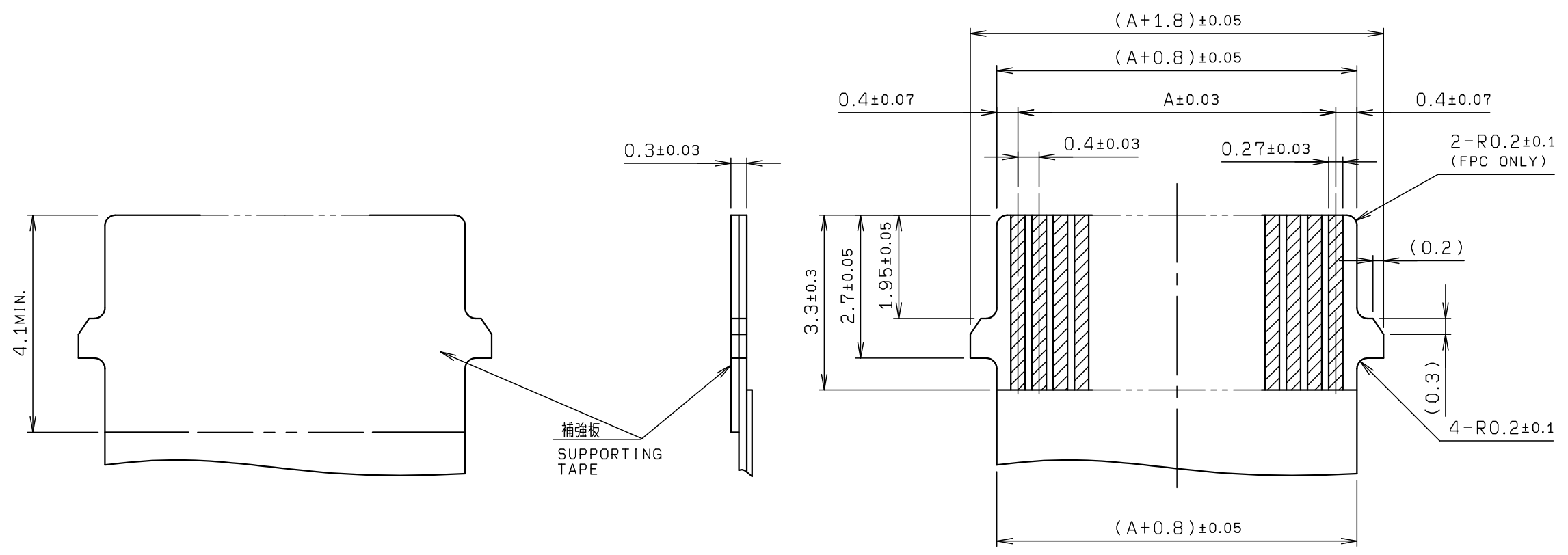
極数 NO. OF POS.	A	B	C	D	E	F
14	5.2	8.4	6.02	7.7	7.2	2.6
25	9.6	12.8	10.42	12.1	11.6	7.0
30	11.6	14.8	12.42	14.1	13.6	9.0
34	13.2	16.4	14.02	15.7	15.2	10.6
40	15.6	18.8	16.42	18.1	17.6	12.0
45	17.6	20.8	18.42	20.1	19.6	12.0
50	19.6	22.8	20.42	22.1	21.6	12.0
60	23.6	26.8	24.42	26.1	25.6	12.0
61	24.0	27.2	24.82	26.5	26.0	12.0
62	24.4	27.6	25.22	26.9	26.4	12.0
63	24.8	28.0	25.62	27.3	26.8	12.0
64	25.2	28.4	26.02	27.7	27.2	12.0
65	25.6	28.8	26.42	28.1	27.6	12.0
66	26.0	29.2	26.82	28.5	28.0	12.0
67	26.4	29.6	27.22	28.9	28.4	12.0
68	26.8	29.0	27.62	29.3	28.8	12.0
69	27.2	30.4	28.02	29.7	29.2	12.0
70	27.6	30.8	28.42	30.1	29.6	12.0
71	28.0	31.2	28.82	30.5	30.0	12.0
72	28.4	31.6	29.22	30.9	30.4	12.0
73	28.8	32.0	29.62	31.3	30.8	12.0
74	29.2	32.4	30.02	31.7	31.2	12.0
75	29.6	32.8	30.42	32.1	31.6	12.0
76	30.0	33.2	30.82	32.5	32.0	12.0
77	30.4	33.6	31.22	32.9	32.4	12.0
78	30.8	34.0	31.62	33.3	32.8	12.0
79	31.2	34.4	32.02	33.7	33.2	12.0
80	31.6	34.8	32.42	34.1	33.6	12.0

※この表は1, 2ページ目のみ適用  
※THIS CHART IS APPLICABLE TO SHEET-1 AND SHEET-2 ONLY.

ROHS規制対応  
COMPLIANT WITH  
ROHS REGULATIONS

TOLERANCE / 一般公差(S)		PRODUCT SPEC / 製品規格		A DCN18009 2018/01/06		
X < 10	±0.2	UNIT	ANGLE	O EDN-226	2010/05/17	T. MAKABE N. KITAGAWA T. SATOH
10 ≤ X < 30	±0.25	mm	3RD	NO. EDN/DCN	DATE	ISSUE CHECKED APPROVED
30 ≤ X	±0.3	SCALE	DATE	PART NAME / 品名		
ANGLE / 角度	±3°	NTS	2010/05/17	SERIES 6287 FPC ASSY RA SMT 0.4mm PITCH ZIF TYPE H=1.2mm		
DRAWN	DESIGNED	CHECKED	APPROVED	PART NO. / 型番		
T. MAKABE	T. MAKABE	N. KITAGAWA	T. SATOH	04 6287 6XX 011 868 +		
				DWG NO. / 図番		SHEET/REV
KYOCERA Corporation				BJS 6287008		1/3 A

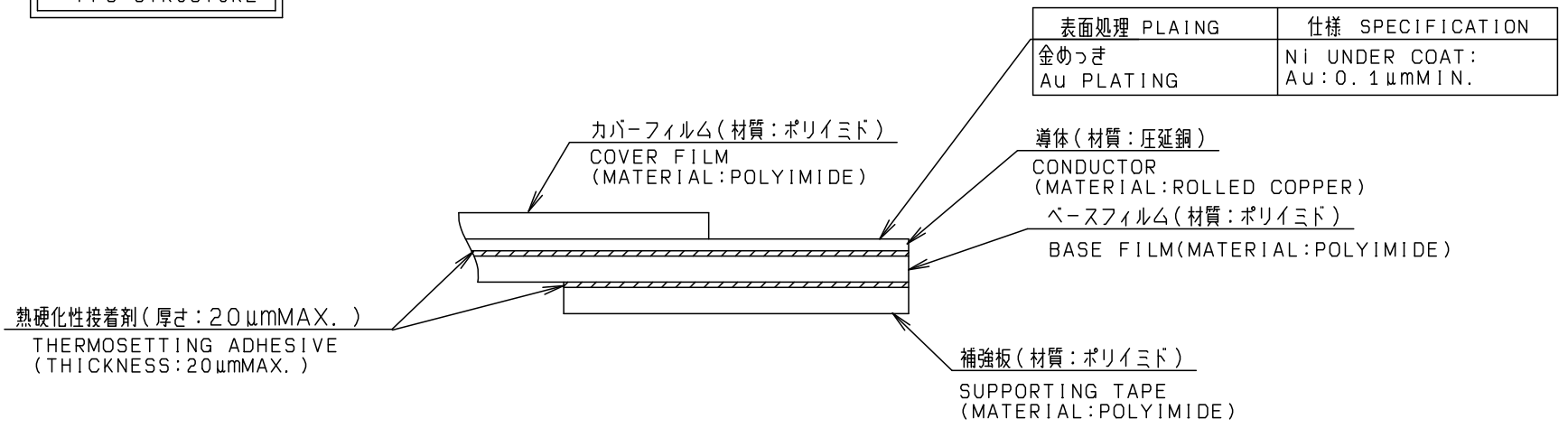
NO.	DESCRIPTION	PART NO.	QTY	MATERIAL	DRW NO.	REMARKS
-----	-------------	----------	-----	----------	---------	---------



適用FPC寸法  
APPLICABLE FPC

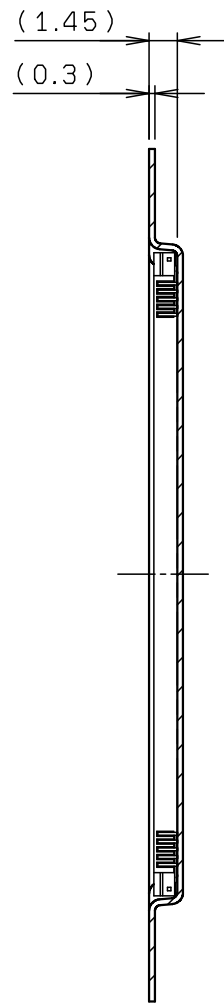
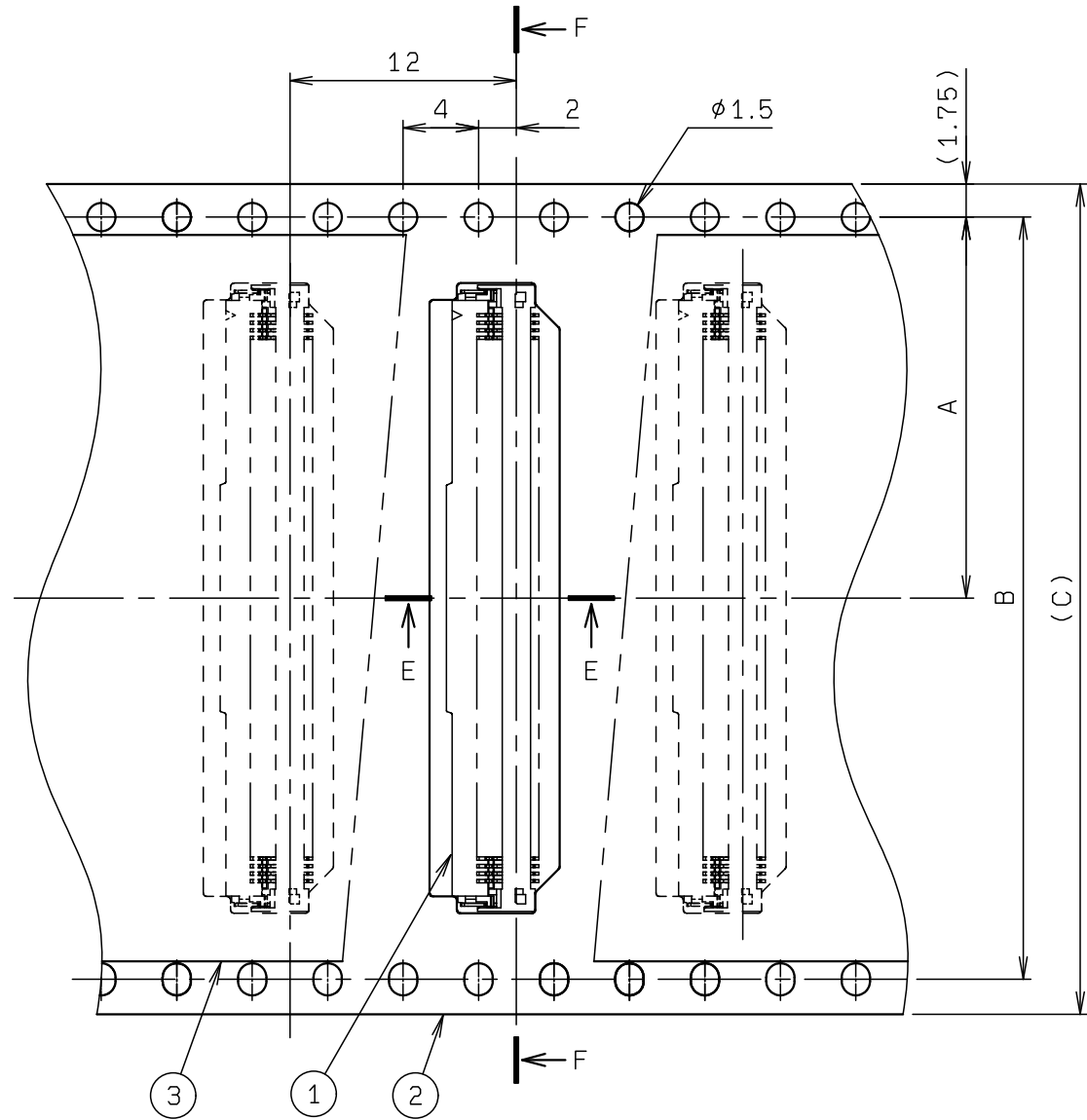
(推奨仕様)

FPC構成  
FPC STRUCTURE

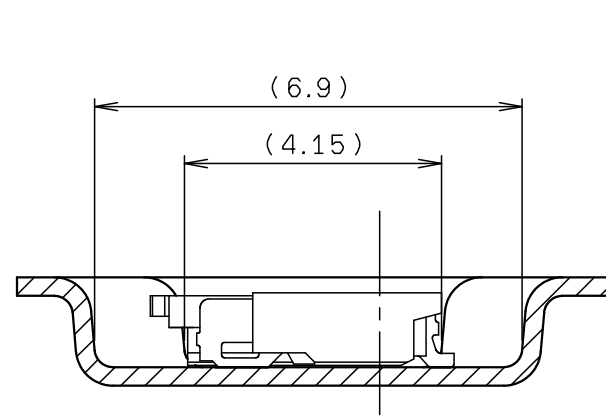


ROHS規制対応  
COMPLIANT WITH  
ROHS REGULATIONS

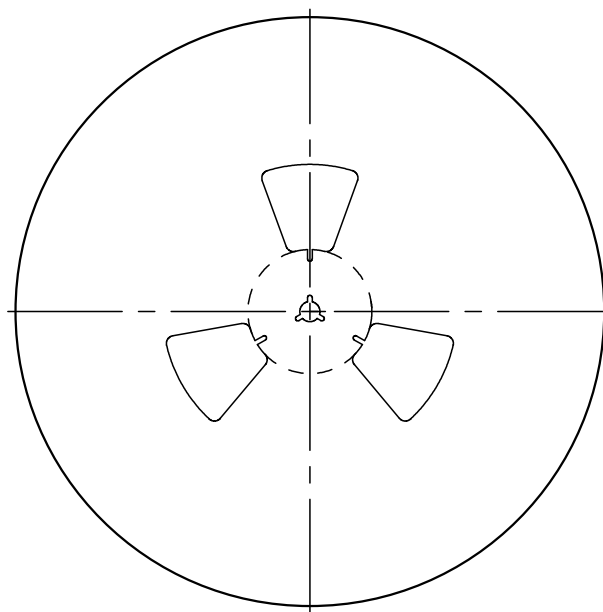
TOLERANCE / 一般公差(S)		PRODUCT SPEC / 製品規格		REFER TO SHEET 1/3		
X < 10	±0.2	UNIT	ANGLE	NO.	EDN/DCN	DATE
10 ≤ X < 30	±0.25	mm	3RD	ISSUE	CHECKED	APPROVED
30 ≤ X	±0.3	SCALE	DATE	PART NAME / 品名		
ANGLE / 角度	±3°	NTS	2010/05/17	SERIES 6287 FPC ASSY RA SMT 0.4mm PITCH ZIF TYPE H=1.2mm		
DRAWN	DESIGNED	CHECKED	APPROVED	PART NO. / 型番		
T. MAKABE	T. MAKABE	N. KITAGAWA	T. SATOH	04 6287 6XX 011 868 +		
<b>KYOCERA Corporation</b>				DWG NO. / 図番		SHEET/REV
				BJS 6287008		12/3 A



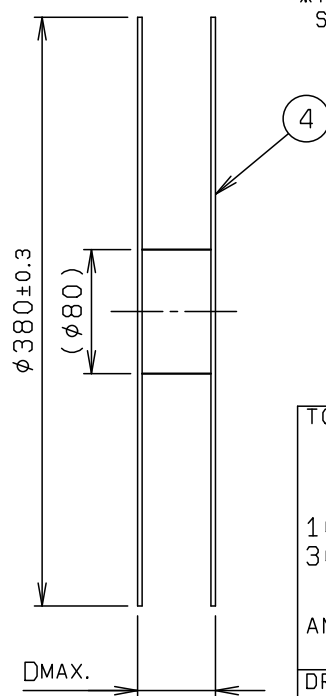
SECT. F-F



SECT. D-D (S=8:1)



REEL DIMENSION (S=1:5)



NO.	DESCRIPTION	PART NO.	QTY	MATERIAL	DRW NO.	REMARKS
1	CONNECTOR	04 6287 6XX 011 868 +	2500			00 6287 6XX 011 868 +
2	EMBOSSSED TAPE		1	POLYSTYRENE		
3	TOP COVER TAPE		1	POLYSTYRENE		
4	REEL		1	POLYSTYRENE		

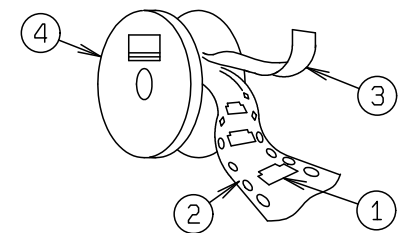
極数 NO. OF POS.	A	B	C	D
14	10.2	20.4	24.0	30.4
25	10.2	20.4	24.0	30.4
30	10.2	20.4	24.0	30.4
34	14.2	28.4	32.0	38.4
40	14.2	28.4	32.0	38.4
45	14.2	28.4	32.0	38.4
50	20.2	40.4	44.0	50.4
60	20.2	40.4	44.0	50.4
61	20.2	40.4	44.0	50.4
62	20.2	40.4	44.0	50.4
63	20.2	40.4	44.0	50.4
64	20.2	40.4	44.0	50.4
65	20.2	40.4	44.0	50.4
66	20.2	40.4	44.0	50.4
67	20.2	40.4	44.0	50.4
68	20.2	40.4	44.0	50.4
69	20.2	40.4	44.0	50.4
70	20.2	40.4	44.0	50.4
71	20.2	40.4	44.0	50.4
72	20.2	40.4	44.0	50.4
73	20.2	40.4	44.0	50.4
74	20.2	40.4	44.0	50.4
75	20.2	40.4	44.0	50.4
76	20.2	40.4	44.0	50.4
77	26.2	52.4	56.0	62.4
78	26.2	52.4	56.0	62.4
79	26.2	52.4	56.0	62.4
80	26.2	52.4	56.0	62.4

※この表は3ページ目にも適用  
 ※THIS CHART IS APPLICABLE TO SHEET-3 ONLY.

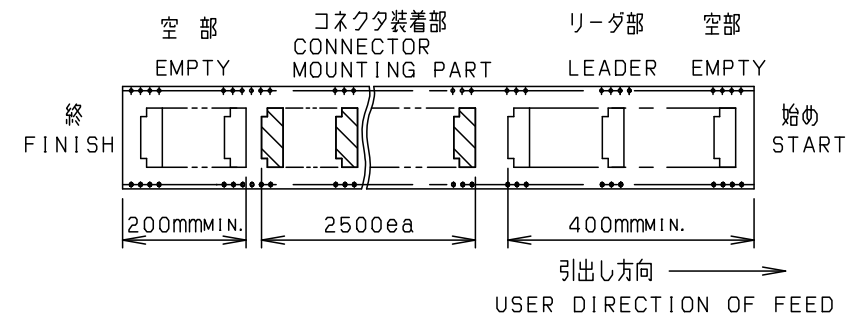
注記  
NOTE

1. 梱包数量 : 2500 個/リール  
 PACKING QUANTITY : 2500 ea/reel

2. 納入時のリール巻き方向  
 REELING DIRECTION IN DELIVERY



3. 引出し方向  
 USER DIRECTION OF FEED



4. 型番 P/N 04 6287 6XX 011 868 +  
 バリエーション VARIATION  
 6:ハロゲンフリー HALOGEN FREE  
 極数 NO OF POS.  
 バリエーション VARIATION  
 1:耳付きFPC/一点接点座屈防止タイプ  
 めっきコード PLATING CODE  
 868+:Au(SELECTIVE)  
 (ANCHOR PLATE:Sn-Cu)

※この注記の1~3は3ページ目にも適用  
 ※THIS NOTES 1 TO 3 ARE APPLICABLE TO SHEET-3 ONLY.

ROHS規制対応  
 COMPLIANT WITH  
 ROHS REGULATIONS

TOLERANCE / 一般公差(S)		PRODUCT SPEC / 製品規格		REFER TO SHEET 1/3					
X < 10	±0.2	UNIT	ANGLE	NO.	EDN/DCN	DATE	ISSUE	CHECKED	APPROVED
10 ≤ X < 30	±0.25	mm	3RD	PART NAME / 品名					
30 ≤ X	±0.3	SCALE	DATE	SERIES 6287 EMBOSS TAPE ASSY					
ANGLE / 角度	±3°	5 : 2	2010/05/17	FPC ASSY RA SMT 0.4mmPITCH ZIF H=1.2					
DRAWN	DESIGNED	CHECKED	APPROVED	PART NO. / 型番					
M. TAKAHASHI	T. MAKABE	N. KITAGAWA	T. SATOH	04 6287 6XX 011 868 +					
DWG NO. / 図番				SHEET/REV					
BJS 6287008				13/3   A					

KYOCERA Corporation