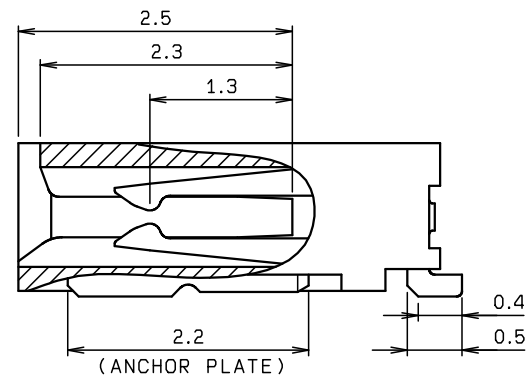
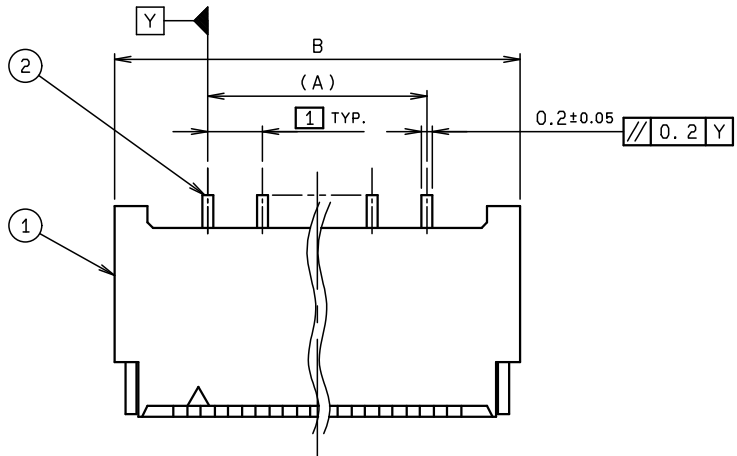
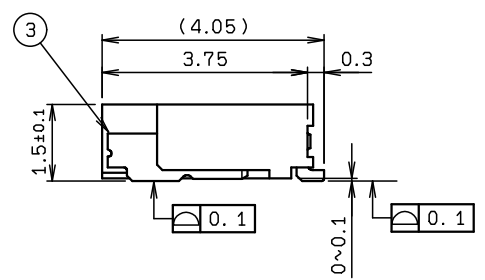
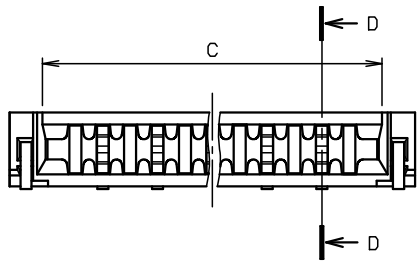


NO.	DESCRIPTION	PART NO.	QTY	MATERIAL	DRW NO.	REMARKS
1	INSULATOR		1	LCP		UL94V-0 COLOR: IVORY (NATURAL)
2	CONTACT		N	PHOS-BRONZE		t=0.2 Sn-Cu
3	ANCHOR PLATE		2	BRASS		

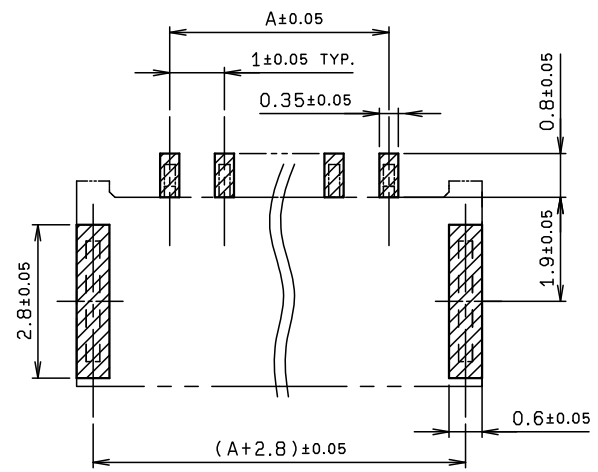


極数 NO. OF POS.	A	B	C
4	3.0	6.4	5.1
6	5.0	8.4	7.1
7	6.0	9.4	8.1
10	9.0	12.4	11.1

※この表は1, 2ページ目におみ適用  
 ※THIS CHART IS APPLICABLE TO SHEET-1 AND SHEET-2 ONLY.



注記  
 NOTE  
 1. コンタクトテール及び固定金具は基板より最大浮き0.1mmとする。  
 CONTACT TAIL AND ANCHOR PLATE HEIGHT SHALL BE 0.1MAX.  
 ※この注記は1, 2ページ目におみ適用  
 ※THIS NOTES IS APPLICABLE TO SHEET-1 AND SHEET-2 ONLY.

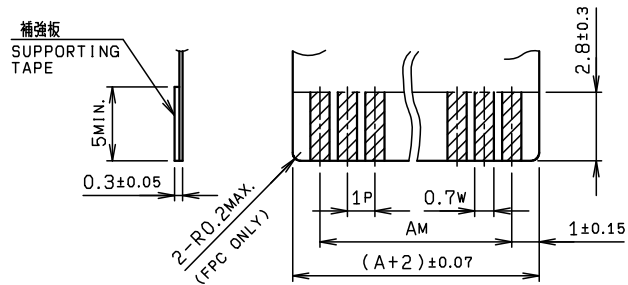


基板取付け寸法  
 MOUNTING LAYOUT

ROHS規制対応  
 COMPLIANT WITH  
 ROHS REGULATIONS

TOLERANCE / 一般公差(S)		PRODUCT SPEC / 製品規格		B	DCN-567	6-02-15			
X < 10	±0.2			A	DCN-879	12-07-11	N. KITAGAWA		T. SATOH
10 ≤ X < 30	±0.25	UNIT	ANGLE	O	EDN-419	9-04-09	N. KITAGAWA		T. SATOH
30 ≤ X	±0.3	mm	3RD	NO.	EDN/DCN	DATE	ISSUE	CHECKED	APPROVED
ANGLE / 角度 ±3°		SCALE	DATE	PART NAME / 品名					
		10 : 1	9-04-09	SERIES 6284 FPC FFC ASSY					
DRAWN M. TAKAHASHI		DESIGNED N. KITAGAWA	CHECKED	APPROVED T. SATOH	PART NO. / 製番				
				04 6284 0XX 901 800 +					
				DWG NO. / 図番					
				BJS 6284028					
				SHEET/REV					
				1/3 B					

NO.	DESCRIPTION	PART NO.	QTY	MATERIAL	DRW NO.	REMARKS
-----	-------------	----------	-----	----------	---------	---------

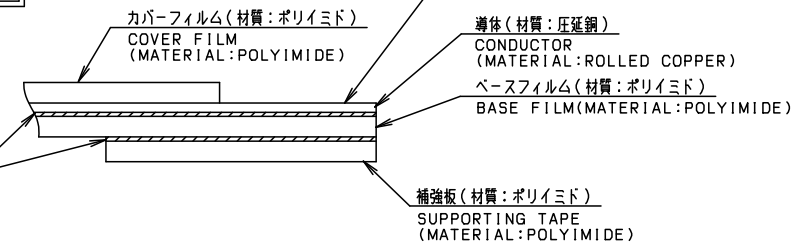


種類 KIND	公差 TOLERANCE		
	P	W	M
FPC	±0.02	+0.1 -0.05	±0.05
FFC	±0.05	±0.03	±0.1

適用 FPC FFC  
APPLICABLE FPC FFC

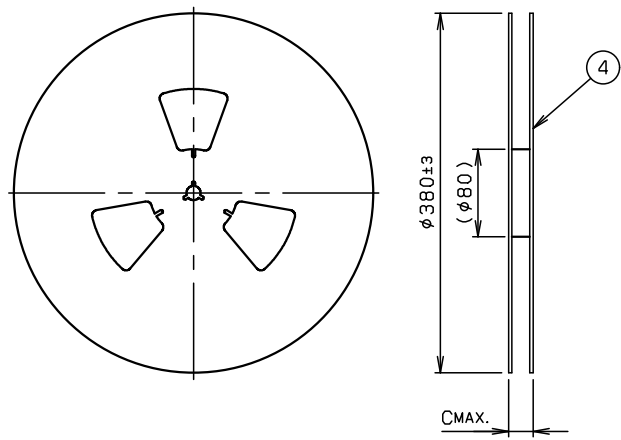
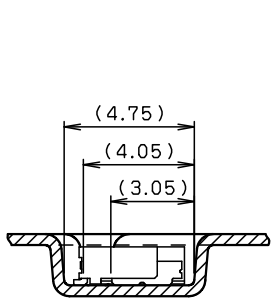
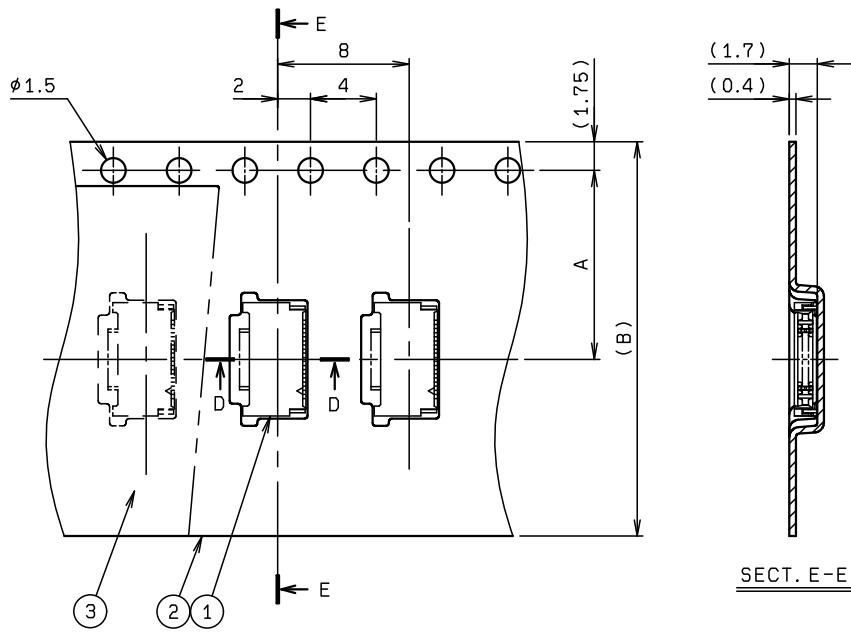
FPC構成  
FPC STRUCTURE  
(推奨仕様)

熱硬化性接着剤 (厚さ: 40 μmMAX.)  
THERMOSETTING ADHESIVE  
(THICKNESS: 40 μmMAX.)



ROHS規制対応  
COMPLIANT WITH  
ROHS REGULATIONS

TOLERANCE / 一般公差(S)		PRODUCT SPEC / 製品規格							
X < 10	±0.2	UNIT	ANGLE	REFER	TO SHEET	1/3			
10 ≤ X < 30	±0.25	mm	3RD	NO.	EDN/DCN	DATE	ISSUE	CHECKED	APPROVED
30 ≤ X	±0.3	SCALE	DATE	PART NAME / 品名					
ANGLE / 角度	±3°	NTS	9-04-09	SERIES 6284 FPC FFC ASSY					
DRAWN	DESIGNED	CHECKED	APPROVED	1.0mm PITCH CONNECTOR H=1.5 LIF TYPE					
M. TAKAHASHI	N. KITAGAWA		T. SATOH	PART NO. / 製番					
				04 6284 0XX 901 800 +					
				DWG NO. / 図番					
				BJS 6284028					
				SHEET/REV					
				2/3 B					



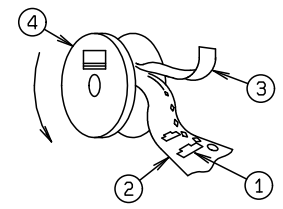
REEL DIMENSION (S=1/5)

NO.	DESCRIPTION	PART NO.	QTY	MATERIAL	DRW NO.	REMARKS
1	CONNECTOR	04 6284 0XX 901 800 +	4000			00 6284 0XX 901 800 +
2	EMBOSSED TAPE		1	POLYSTYRENE		
3	TOP COVER TAPE		1	POLYSTYRENE		
4	REEL		1	POLYSTYRENE		

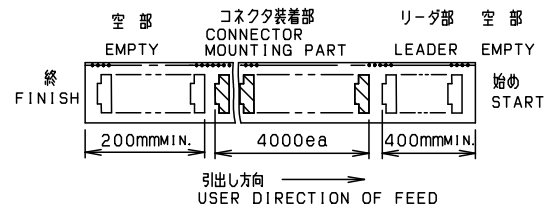
- 注記  
NOTE
- 梱包数量 : 4000 個/リール  
PACKING QUANTITY : 4000 ea/reel
  - 納入時のリール巻き方向  
REELING DIRECTION IN DELIVERY

種数 NO. OF POS.	A	B	C
4	11.5	24.0	30.4
6	11.5	24.0	30.4
7	11.5	24.0	30.4
10	11.5	24.0	30.4

※この表は3ページ目区のみ適用  
※THIS CHART IS APPLICABLE TO SHEET-3 ONLY.



- 引出し方向  
USER DIRECTION OF FEED.



- 型番  
P/N 04 6284 0XX 901 800 +
- 種数  
NO. OF POS.
- 9:ピン抜き仕様(1mm PITCH)  
PIN PICKED TYPE
- めっき  
PLATING  
+ : Sn-Cu

※この注記の1~3は3ページ目区のみ適用  
※THIS NOTES 1 TO 3 ARE APPLICABLE TO SHEET-3 ONLY.

ROHS規制対応  
COMPLIANT WITH  
ROHS REGULATIONS

TOLERANCE / 一般公差(S)		PRODUCT SPEC / 製品規格		REFER TO SHEET 1/3		NO. EDN/DCN		DATE		ISSUE		CHECKED		APPROVED	
X < 10	±0.2	UNIT	ANGLE												
10 ≤ X < 30	±0.25	mm	3RD												
30 ≤ X	±0.3	SCALE	DATE												
ANGLE / 角度	±3°	3 : 1	9-04-09												
DRAWN	DESIGNED	CHECKED	APPROVED	PART NO. / 型番		04 6284 0XX 901 800 +									
M. TAKAHASHI	N. KITAGAWA		T. SATOH	DWG NO. / 図番		BJS 6284028								SHEET/REV 3/3 B	
KYOCERA Corporation															