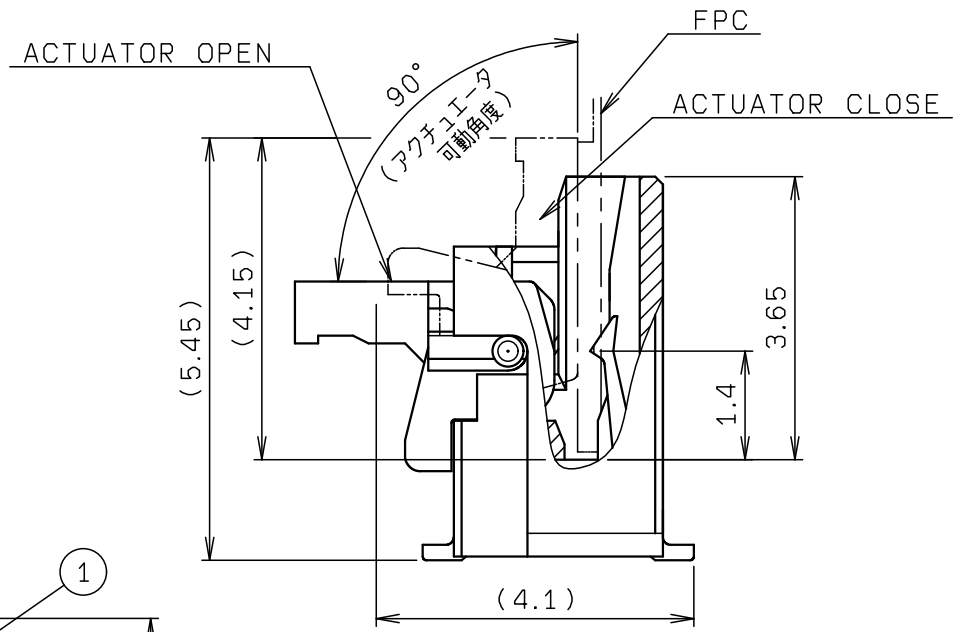
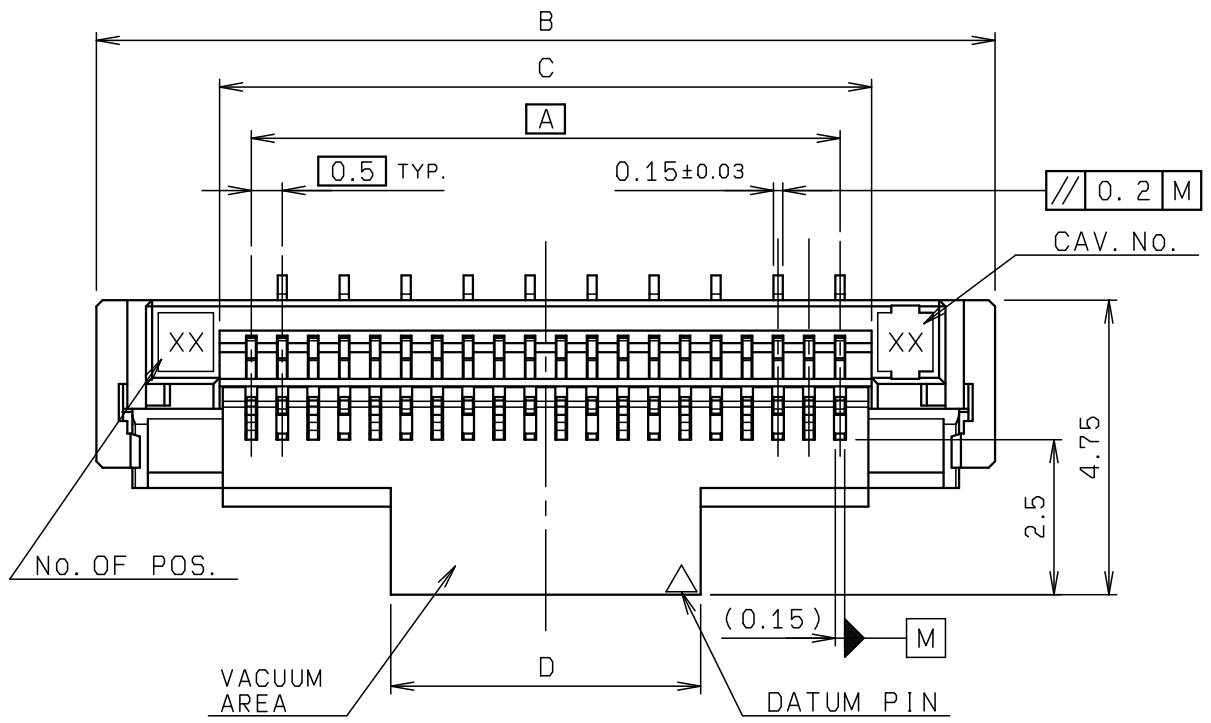
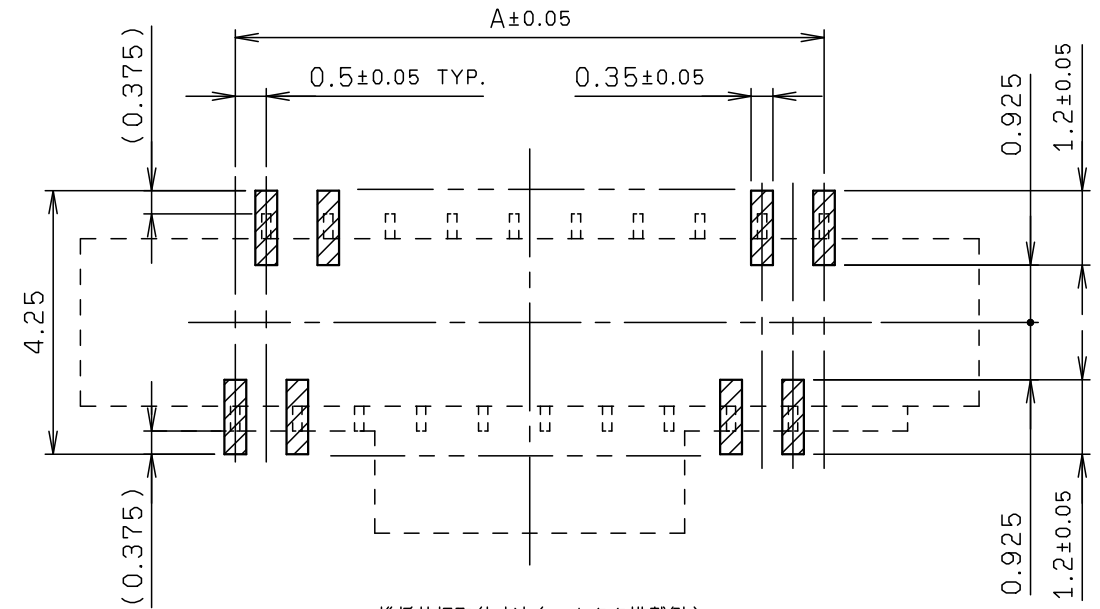
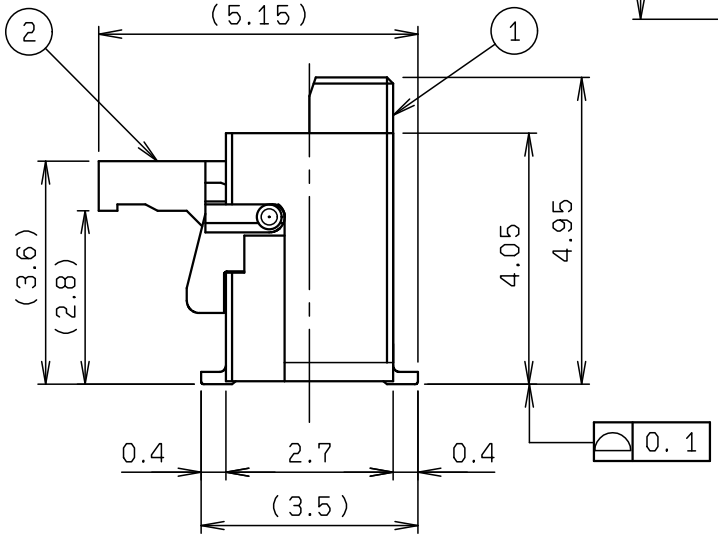
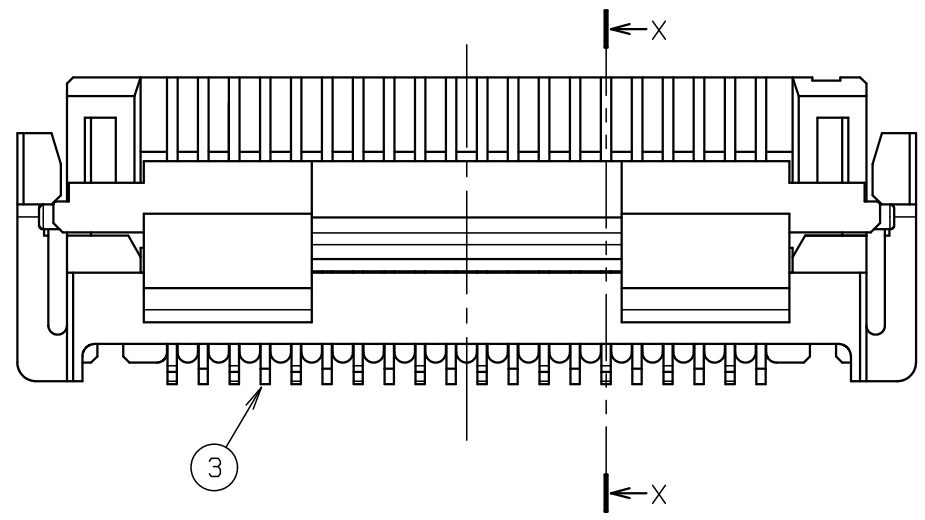


NO.	DESCRIPTION	PART NO.	QTY	MATERIAL	DRW NO.	REMARKS
1	INSULATOR		1	HEAT RESISTANT PLASTIC		COLOR : WHITE
2	ACTUATOR		1	HEAT RESISTANT PLASTIC		COLOR : BLACK
3	CONTACT		N	PHOS-BRONZE		t=0.15 Sn-Cu



極数 NO. OF POS.	A	B	C	D
40	19.5	24.5	20.6	8.0
50	24.5	29.5	25.6	13.0

※この表は1, 2ページ目のみ適用
 ※THIS CHART IS APPLICABLE TO SHEET-1 AND SHEET-2 ONLY.



推奨基板取付寸法 (コネクタ搭載側)
 MOUNTING LAYOUT (CONN. MOUNTING SIDE)

ROHS規制対応
 COMPLIANT WITH
 ROHS REGULATIONS

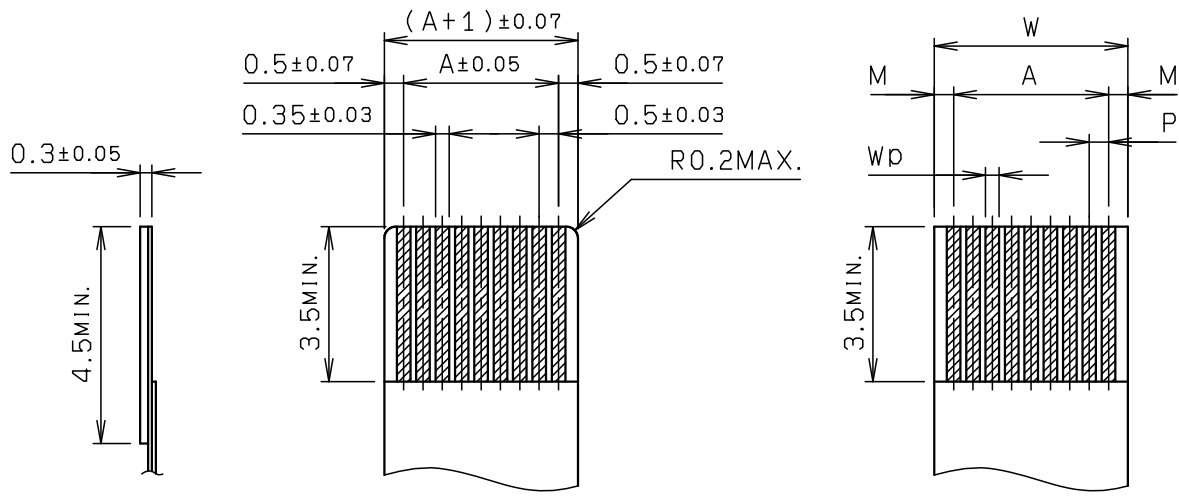
TOLERANCE / 一般公差(S)		PRODUCT SPEC / 製品規格				
X < 10	±0.2	UNIT	ANGLE	0	EDN19061	2019/03/13
10 ≤ X < 30	±0.25	mm	3RD	NO.	EDN/DCN	DATE
30 ≤ X	±0.3	SCALE	DATE	ISSUE	CHECKED	APPROVED
ANGLE / 角度	±3°	NTS	2019/03/13	PART NAME / 品名		
				FPC/FFC ASSY ST SMT		
				0.5mm PITCH ZIF CONNECTOR		
DRAWN	DESIGNED	CHECKED	APPROVED	PART NO. / 型番		
R. MANABE				04 6251 0XX 020 800 +		
KYOCERA				DWG NO. / 図番		SHEET/REV
				BJS 6251016		1/3 0

NO.	DESCRIPTION	PART NO.	QTY	MATERIAL	DRW NO.	REMARKS
-----	-------------	----------	-----	----------	---------	---------

- 注記
NOTE
1. コンタクトテール及び固定金具は基板より最大浮き0.1とする。
CONTACT TAIL AND ANCHOR PLATE HEIGHT SHALL BE 0.1MAX.
 2. 適用FFC寸法は1か2を選択のこと。
SELECT AN APPLICABLE FFC FROM 1 OR 2.
 3. Nは極数を示す。
N:NUMBER OF CONTACTS

※この注記は1, 2ページ目にも適用
※THIS NOTES IS APPLICABLE TO SHEET-1 AND SHEET-2 ONLY.

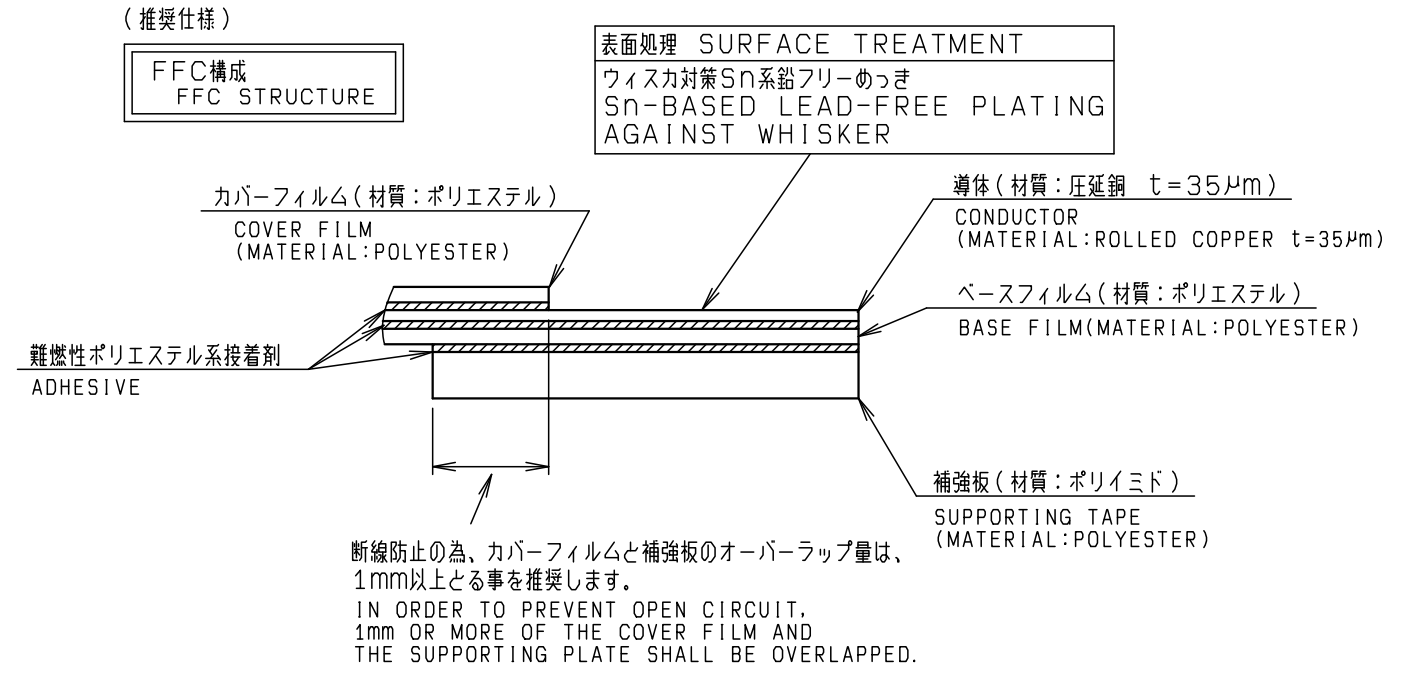
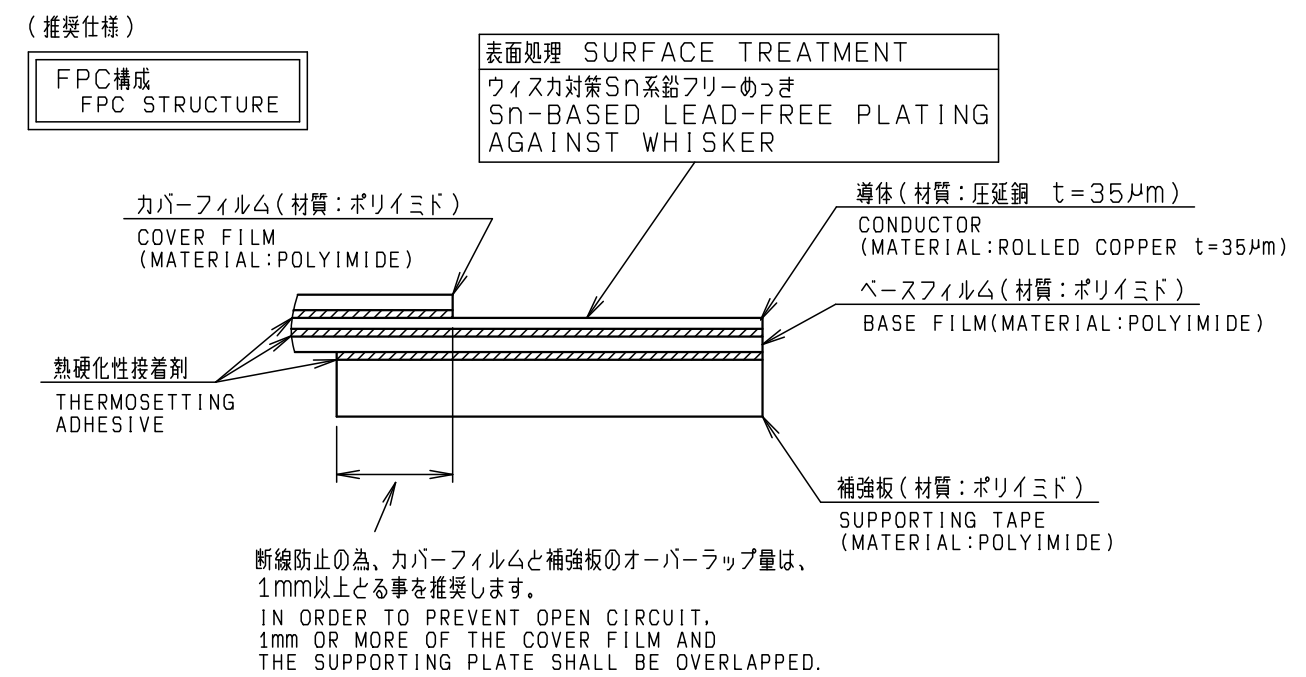
ストレートタイプFPC/FFC



	FFC	
	1	2
M	0.5±0.08	0.5±0.07
P	0.5±0.05	0.5±0.03
A	A±0.05	A±0.05
W	W±0.07	W±0.07
WP	0.32±0.03	0.30±0.03

適用 Sn-Cu FPC 寸法
APPLICABLE Sn-Cu FPC

適用 Sn-Cu FFC 寸法
APPLICABLE Sn-Cu FFC



ROHS規制対応
COMPLIANT WITH
ROHS REGULATIONS

TOLERANCE / 一般公差(S)		PRODUCT SPEC / 製品規格									
X < 10	±0.2	UNIT	ANGLE	REFER TO SHEET		1/3					
10 ≤ X < 30	±0.25	mm	3RD	NO.	EDN/DCN	DATE	ISSUE	CHECKED	APPROVED		
30 ≤ X	±0.3	SCALE	DATE	PART NAME / 品名							
ANGLE / 角度	±3°	NTS	2019/03/13	FPC/FFC ASSY ST SMT 0.5mm PITCH ZIF CONNECTOR							
DRAWN	DESIGNED	CHECKED	APPROVED	PART NO. / 型番							
R. MANABE				04 6251 0XX 020 800 +							
				DWG NO. / 図番				SHEET/REV			
				BJS 6251016				12/3 0			

NO.	DESCRIPTION	PART NO.	QTY	MATERIAL	DRW NO.	REMARKS
1	CONNECTOR	04 6251 0XX 020 800 +	1000	—		00 6251 0XX 020 800 +
2	EMBOSSED TAPE		1	POLYSTYRENE		
3	TOP COVER TAPE		1	POLYSTYRENE		
4	REEL		1	POLYSTYRENE		

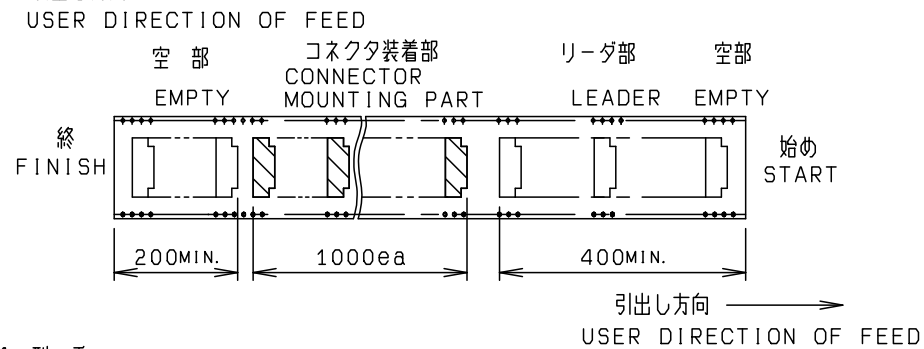
注記
NOTE

- 梱包数量 : 1000 個/リール
PACKING QUANTITY : 1000 ea/reel
- 納入時のリール巻き方向
REELING DIRECTION IN DELIVERY

極数 NO. OF POS.	A	B	C	D
40	20.2	40.4	44.0	50.4
50	20.2	40.4	44.0	50.4

※この表は3ページ目のみ適用
※THIS CHART IS APPLICABLE TO SHEET-3 ONLY.

3. 引出し方向



4. 型番

P/N 04 6251 0XX 020 800 +

極数 NO. OF POS. _____

バリエーション VARIATION _____

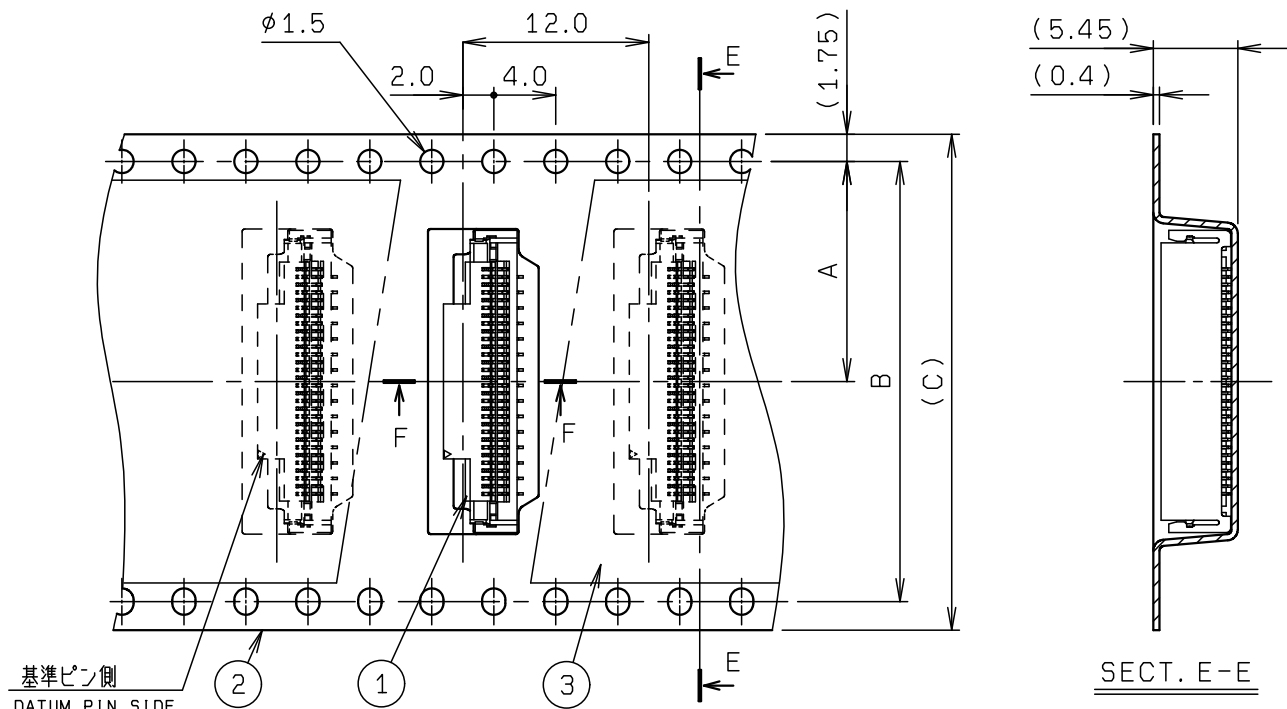
2: ST-FPC/FFC専用タイプ

めっきコード PLATING CODE _____

800 +: Sn-Cu

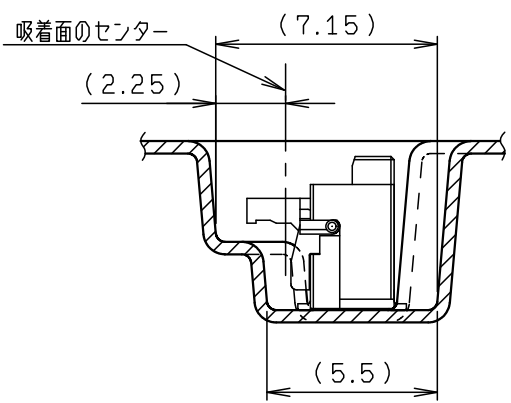
※この注記の1~3は3ページ目のみ適用
※THIS NOTES 1 TO 3 ARE APPLICABLE TO SHEET-3 ONLY.

ROHS規制対応
COMPLIANT WITH
ROHS REGULATIONS

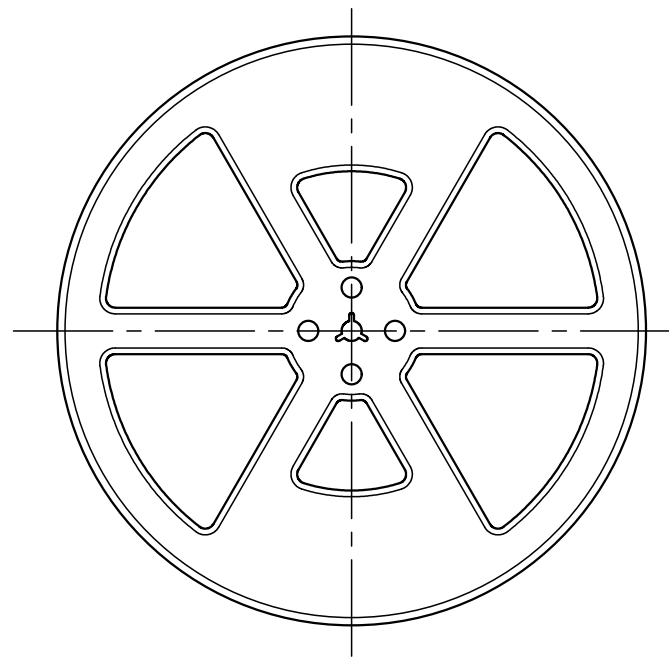


基準ピン側
DATUM PIN SIDE

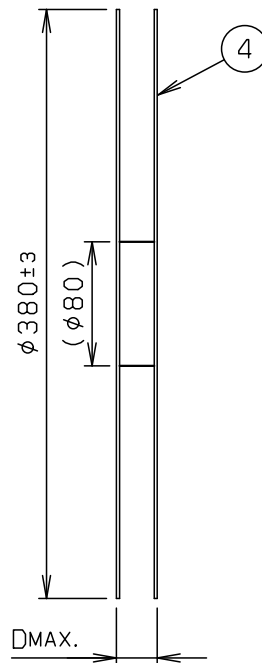
SECT. E-E



SECT. F-F (S=4:1)



REEL DIMENSION (S=1:5)



TOLERANCE / 一般公差(S)		PRODUCT SPEC / 製品規格		REFER TO SHEET 1/3					
X < 10	±0.2	UNIT	ANGLE	NO.	EDN/DCN	DATE	ISSUE	CHECKED	APPROVED
10 ≤ X < 30	±0.25	mm	3RD	PART NAME / 品名					
30 ≤ X	±0.3	SCALE	DATE	EMBOSS TAPE ASSY					
ANGLE / 角度	±3°	2:1	2019/03/13	FPC/FFC ASSY ST SMT 0.5mm PITCH					
DRAWN	DESIGNED	CHECKED	APPROVED	PART NO. / 型番					
R. MANABE				04 6251 0XX 020 800 +					
DRAWN				DWG NO. / 図番		SHEET/REV			
R. MANABE				BJS 6251016		13/3		0	

