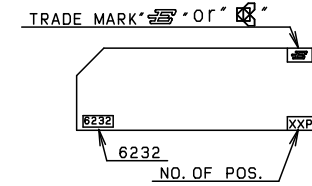
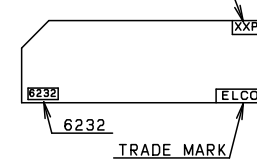


注記
NOTE

① 表示方法 MARK
1. IN THE CASE OF "or" MARK



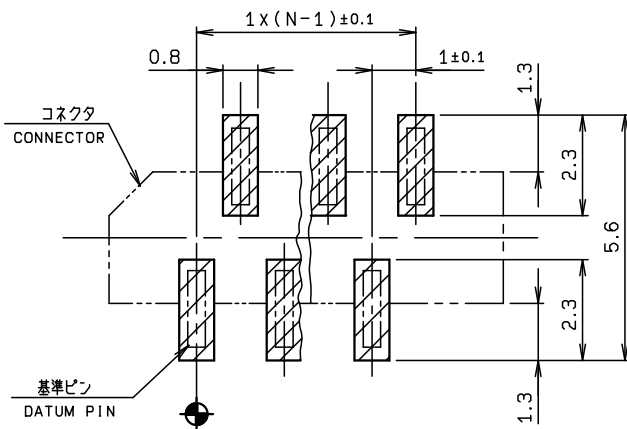
2. IN THE CASE OF "ELCO" MARK



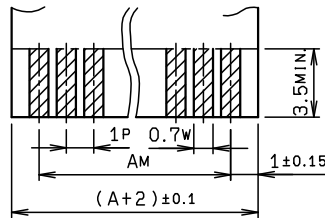
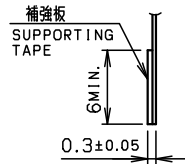
※この注記の1は1ページ目のみ適用
※THIS NOTES 1 ARE APPLICABLE TO SHEET-1 ONLY.

極数 NO. OF POS	A	B	C	D
3	2.0	4.1	6.0	(5)
4	3.0	5.1	7.0	↑
5	4.0	6.1	8.0	
6	5.0	7.1	9.0	
7	6.0	8.1	10.0	
8	7.0	9.1	11.0	
9	8.0	10.1	12.0	(5)
10	9.0	11.1	13.0	(9)
11	10.0	12.1	14.0	↑
12	11.0	13.1	15.0	
13	12.0	14.1	16.0	
14	13.0	15.1	17.0	
15	14.0	16.1	18.0	
16	15.0	17.1	19.0	
17	16.0	18.1	20.0	
18	17.0	19.1	21.0	
19	18.0	20.1	22.0	
20	19.0	21.1	23.0	
21	20.0	22.1	24.0	
22	21.0	23.1	25.0	
23	22.0	24.1	26.0	
24	23.0	25.1	27.0	
25	24.0	26.1	28.0	
26	25.0	27.1	29.0	
27	26.0	28.1	30.0	
28	27.0	29.1	31.0	
29	28.0	30.1	32.0	↓
30	29.0	31.1	33.0	(9)

※この表は1ページ目のみ適用
※THIS CHART IS APPLICABLE TO SHEET-1 ONLY.



基板取付寸法 (コネクタ搭載側)
MOUNTING LAYOUT



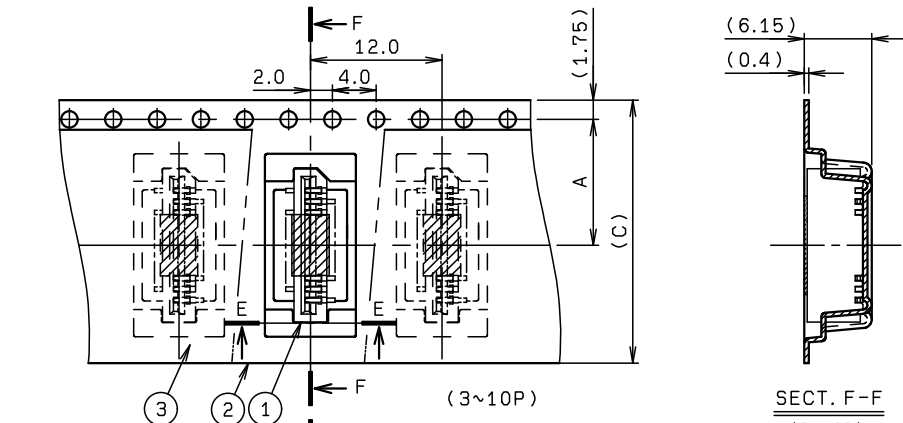
適用 FPC FFC(Auめっき)
APPLICABLE FPC FFC(AU PLATED)

種類 KIND	公差 TOLERANCE		
	P	W	M
FPC	±0.02	+0.1 -0.05	±0.05
FFC	±0.05	±0.03	±0.1

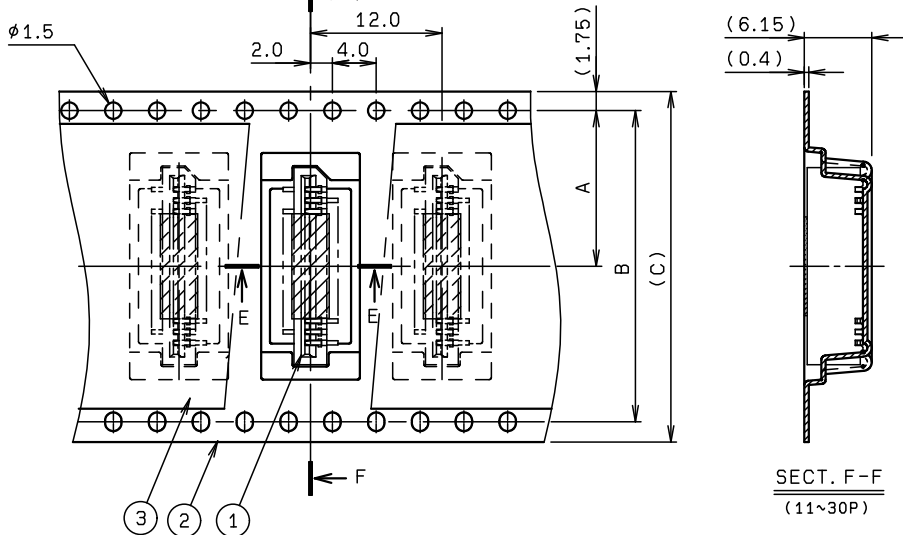
ROHS規制対応
COMPLIANT WITH
ROHS REGULATIONS

TOLERANCE / 一般公差(S)		PRODUCT SPEC / 製品規格				
X < 10	±0.2	A	DCN20900	2020/10/02	N. KITAGAWA	M. YOSHIDA
10 ≤ X < 30	±0.25	UNIT	EDN-219	2007/03/19	N. KITAGAWA	Y. TAKASHITA
30 ≤ X	±0.3	mm	NO.	EDN/DCN	DATE	ISSUE
ANGLE / 角度		3RD	PART NAME / 品名			
±3°		SCALE	SERIES 6232 FPC FFC ASSY ST SMT			
		DATE	1mm PITCH LIF WITH VACUUM TAPE			
		2007/03/19				
DRAWN	DESIGNED	CHECKED	APPROVED	PART NO. / 製番		
T. KOMATSU	N. KITAGAWA		Y. TAKASHITA	04 6232 4XX 008 868 +		
DWG NO. / 図番				SHEET/REV		
BJS 6232271				1/2 A		

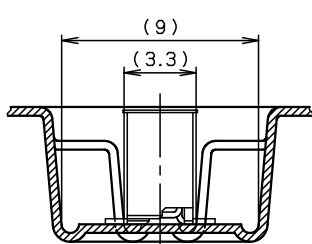




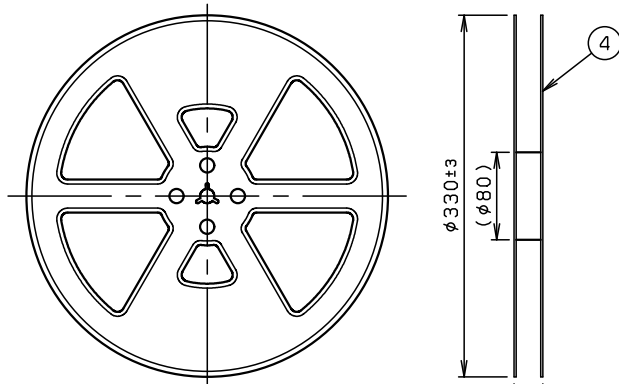
SECT. F-F
(3~10P)



SECT. F-F
(11~30P)



SECT. E-E (S=4:1)



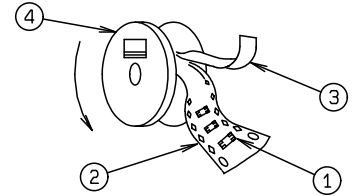
REEL DIMENSION (S=1:5)

NO.	DESCRIPTION	PART NO.	QTY	MATERIAL	DRW NO.	REMARKS
1	CONNECTOR	04 6232 4XX 008 868 +	900			00 6232 4XX 008 868 +
2	EMBOSSED TAPE		1	POLYSTYRENE		
3	TOP COVER TAPE		1	POLYSTYRENE		
4	REEL		1	POLYSTYRENE		

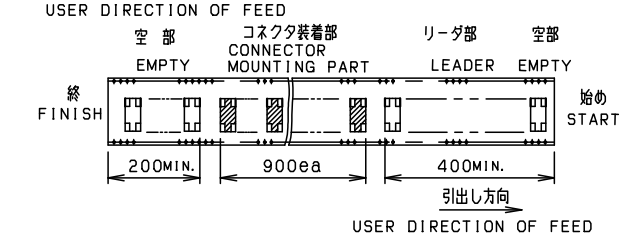
注記
NOTE

1. 梱包数量 : 900 個/リール
PACKING QUANTITY : 900 ea/reel

2. 納入時のリール巻き方向
REELING DIRECTION
IN DELIVERY



3. 引出し方向
USER DIRECTION OF FEED



4. 型番
P/N 04 6232 4XX 008 868 +

種数
NO. OF POS.

バリエーション
VARIATION

008: 吸着テープ付き
WITH VACUUM TAPE

めっきコード
PLATING CODE

868+: Au FLASH Ni 禁制帯付き
Au FLASH WITH Ni DAM

※この表は2ページ目区のみ適用
※THIS CHART IS APPLICABLE TO SHEET-2 ONLY.

※この注記の1~3は2ページ目区のみ適用
※THIS NOTES 1 TO 3 ARE APPLICABLE TO SHEET-2 ONLY.

TOLERANCE / 一般公差 (S)		PRODUCT SPEC / 製品規格		REFER TO SHEET 1/2		NO. EDN/DCN		DATE		ISSUE		CHECKED		APPROVED	
X < 10	±0.2	UNIT	ANGLE												
10 ≤ X < 30	±0.25	mm	3RD												
30 ≤ X	±0.3	SCALE	DATE												
ANGLE / 角度	±3°	2 : 1	2007/03/19												
DRAWN	DESIGNED	CHECKED	APPROVED	PART NAME / 品名		PART NO. / 型番		DWG NO. / 図番		SHEET/REV					
T. KOMATSU	N. KITAGAWA		Y. TAKASHITA	SERIES 6232 EMBOSS TAPE ASSY FPC FFC ASSY ST SMT WITH VACUUM TAPE		04 6232 4XX 008 868 +		BJS 6232271		2/2				A	
				KYOCERA											

ROHS規制対応
COMPLIANT WITH
ROHS REGULATIONS