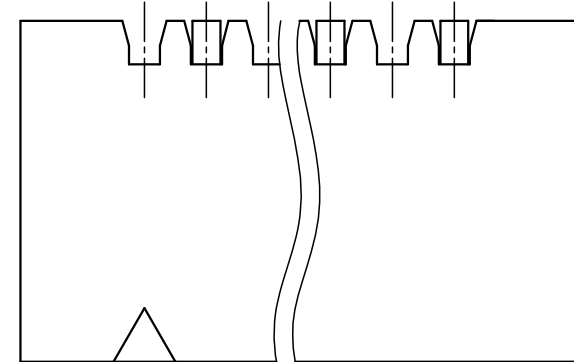


| NO. | DESCRIPTION | PART NO. | QTY | MATERIAL             | DRW NO. | REMARKS              |
|-----|-------------|----------|-----|----------------------|---------|----------------------|
| 1   | INSULATOR   |          | 1   | HEAT RESISTING RESIN |         | COLOR: BLACK         |
| 2   | CONTACT     |          | N   | PHOS-BRONZE          |         | t=0.25<br>Sn PLATING |

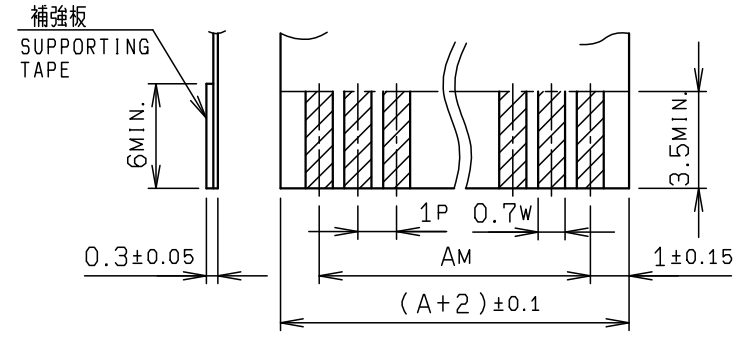
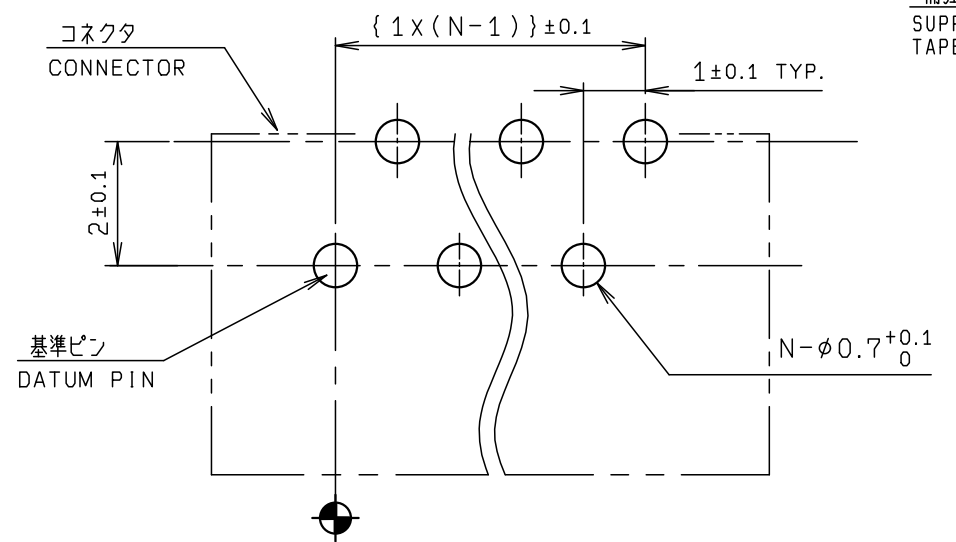
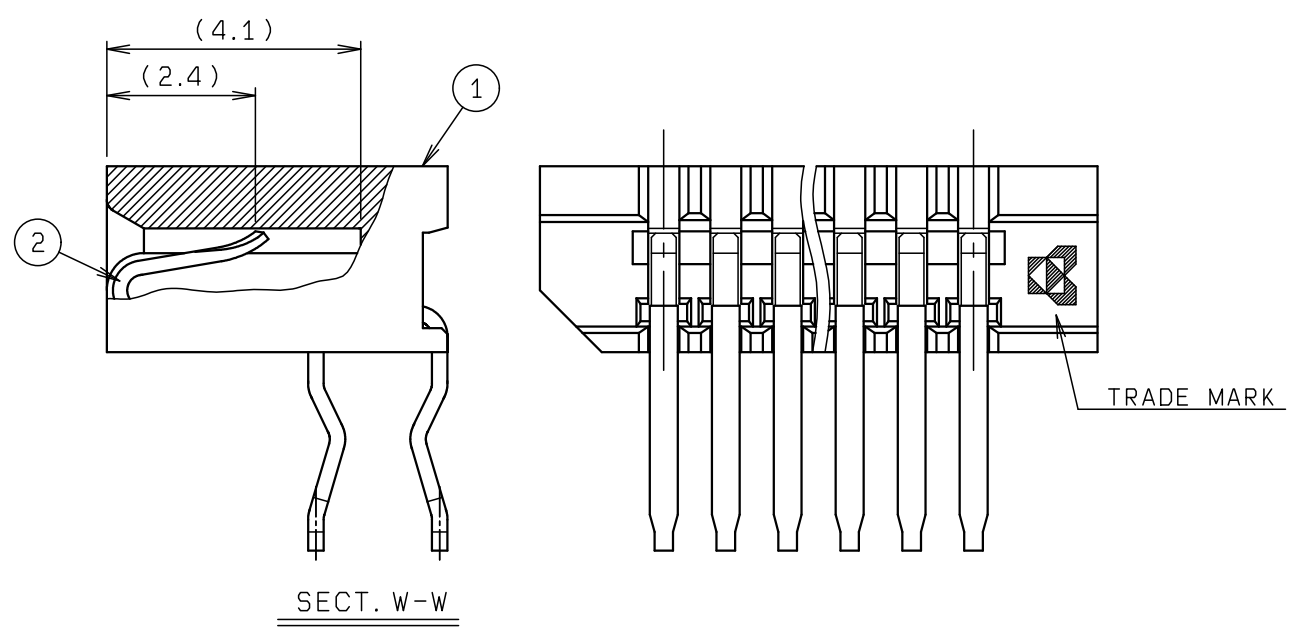
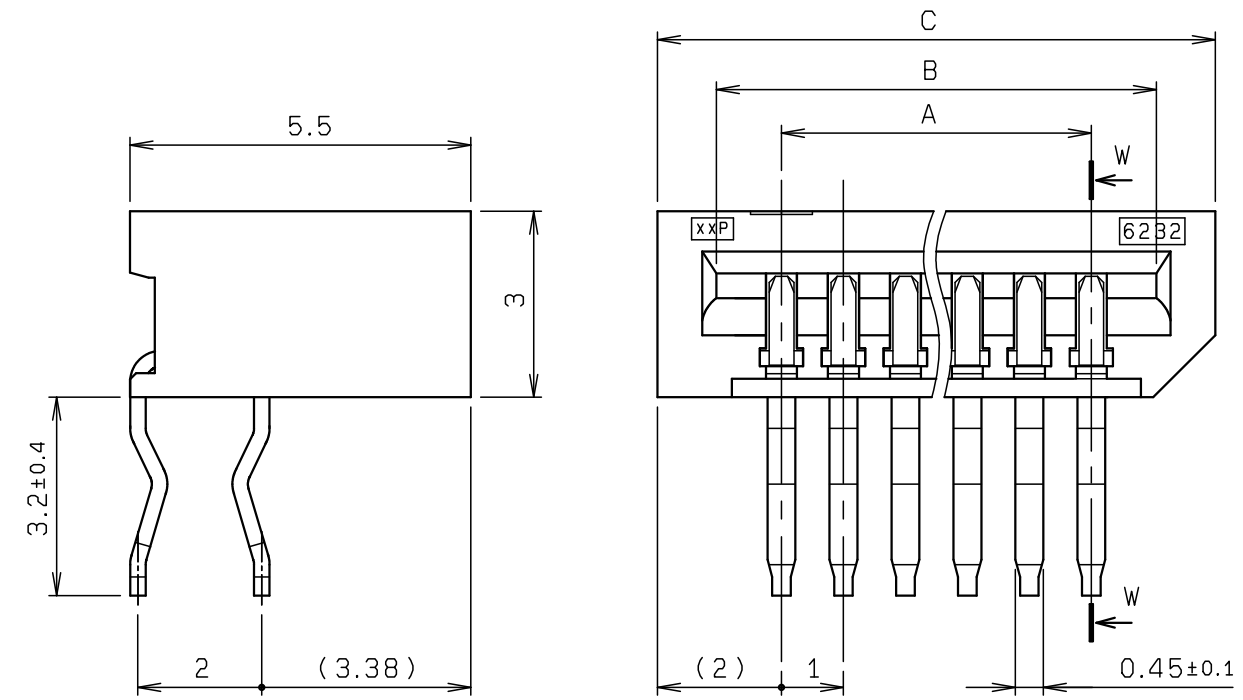


型番  
P/N 00 6232 0XX 102 800 +

極数  
NO. OF POS.

めっき  
PLATING  
800 +: Sn

| 極数<br>NO. OF<br>POS. | A    | B    | C    |
|----------------------|------|------|------|
| 3                    | 2.0  | 4.1  | 6.0  |
| 4                    | 3.0  | 5.1  | 7.0  |
| 5                    | 4.0  | 6.1  | 8.0  |
| 6                    | 5.0  | 7.1  | 9.0  |
| 7                    | 6.0  | 8.1  | 10.0 |
| 8                    | 7.0  | 9.1  | 11.0 |
| 9                    | 8.0  | 10.1 | 12.0 |
| 10                   | 9.0  | 11.1 | 13.0 |
| 11                   | 10.0 | 12.1 | 14.0 |
| 12                   | 11.0 | 13.1 | 15.0 |
| 13                   | 12.0 | 14.1 | 16.0 |
| 14                   | 13.0 | 15.1 | 17.0 |
| 15                   | 14.0 | 16.1 | 18.0 |
| 16                   | 15.0 | 17.1 | 19.0 |
| 17                   | 16.0 | 18.1 | 20.0 |
| 18                   | 17.0 | 19.1 | 21.0 |
| 19                   | 18.0 | 20.1 | 22.0 |
| 20                   | 19.0 | 21.1 | 23.0 |
| 21                   | 20.0 | 22.1 | 24.0 |
| 22                   | 21.0 | 23.1 | 25.0 |
| 23                   | 22.0 | 24.1 | 26.0 |
| 24                   | 23.0 | 25.1 | 27.0 |
| 25                   | 24.0 | 26.1 | 28.0 |
| 26                   | 25.0 | 27.1 | 29.0 |
| 27                   | 26.0 | 28.1 | 30.0 |
| 28                   | 27.0 | 29.1 | 31.0 |
| 29                   | 28.0 | 30.1 | 32.0 |
| 30                   | 29.0 | 31.1 | 33.0 |



| 種類<br>KIND | 公差 TOLERANCE |               |       |
|------------|--------------|---------------|-------|
|            | P            | W             | M     |
| FPC        | ±0.02        | +0.1<br>-0.05 | ±0.05 |
| FFC        | ±0.05        | ±0.03         | ±0.1  |

適用 FPC/FFC  
APPLICABLE FPC/FFC

| TOLERANCE / 一般公差(S) |  | PRODUCT SPEC / 製品規格 |  | H                   |            |                   | G           |                       |          | O          |             |             |        |
|---------------------|--|---------------------|--|---------------------|------------|-------------------|-------------|-----------------------|----------|------------|-------------|-------------|--------|
| ±0.3                |  |                     |  | DCN19787            | 2019/10/18 | R. MANABE         | N. KITAGAWA | Y. FUJII              | DCN-1064 | 2005/08/20 | N. KITAGAWA | A. HAGIWARA | K. ONO |
|                     |  | UNIT: mm            |  | ANGLE: 3RD          |            | EDN/DCN           |             |                       | DATE     |            |             |             |        |
|                     |  | SCALE: NTS          |  | DATE: 1996/09/13    |            | ISSUE             |             |                       | CHECKED  |            |             |             |        |
| DRAWN: Y. OHISHI    |  | DESIGNED: H. OYAMA  |  | CHECKED: N. HAYASHI |            | APPROVED: M. AOKI |             | PART NO. / 型番         |          |            |             |             |        |
|                     |  |                     |  |                     |            |                   |             | 00 6232 0XX 102 800 + |          |            |             |             |        |
|                     |  |                     |  |                     |            |                   |             | DWG NO. / 図番          |          |            |             |             |        |
|                     |  |                     |  |                     |            |                   |             | BJS 6232057           |          |            |             |             |        |
|                     |  |                     |  |                     |            |                   |             | SHEET/REV             |          |            |             |             |        |
|                     |  |                     |  |                     |            |                   |             | 1/1 H                 |          |            |             |             |        |

© 2019 KYOCERA Corporation

ROHS規制対応  
COMPLIANT WITH  
ROHS REGULATIONS

基板穴明け寸法 (コネクタ搭載側) (トップビュー)  
MOUNTING LAYOUT  
(CONN. MOUNTING SIDE) (TOP VIEW)  
(適用基板厚 t=1.2~1.6mm)  
(BOARD T.H.K 1.2~1.6mm)

8 7 6 5 4 3 2 1