

NO.	DESCRIPTION	PART NO.	QTY	MATERIAL	DRW NO.	REMARKS
1	SLIDER		1	HEAT RESISTANCE PLASTIC		UL94V-0 COLOR:NATURAL
2	INSULATOR		1	HEAT RESISTANCE PLASTIC		UL94V-0 COLOR:NATURAL
3	CONTACT		N	PHOS-BRONZE		t=0.2 Sn-CU PLATING
4	ANCHOR PLATE		2	PHOS-BRONZE		t=0.2 Sn-CU PLATING

注記
NOTE

① この部分は金具位置の為あけておくこと。
OPEN THIS SPACE FOR ANCHOR PLATE

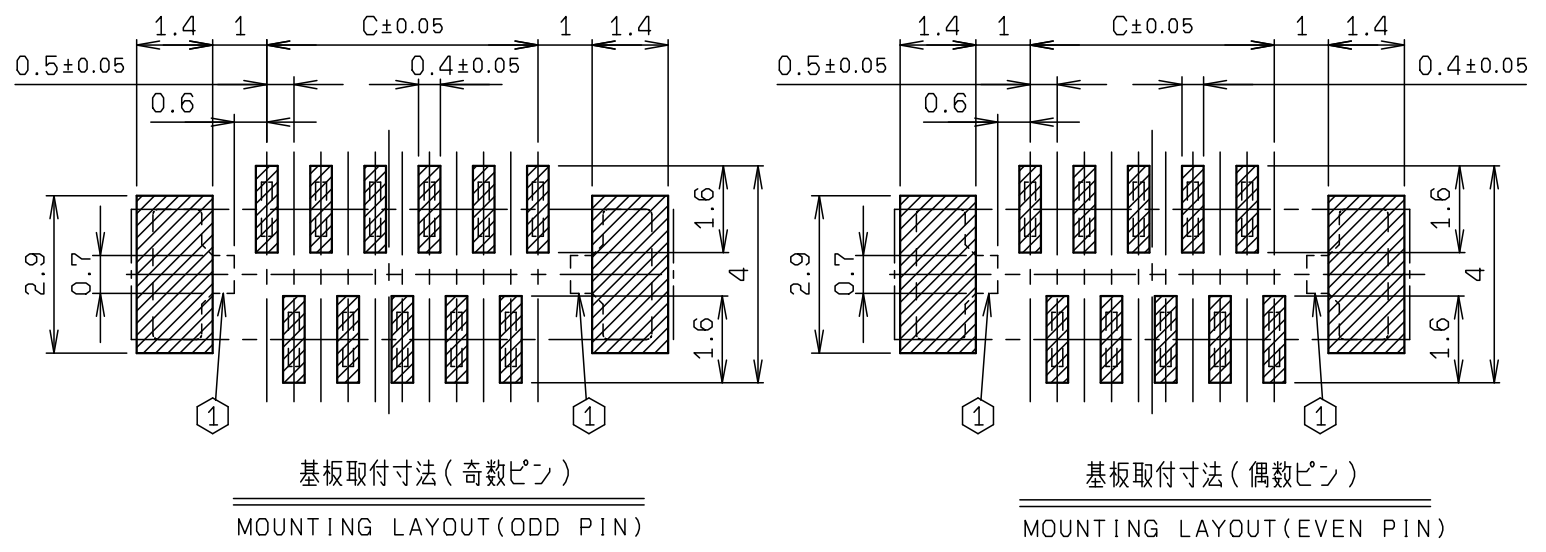
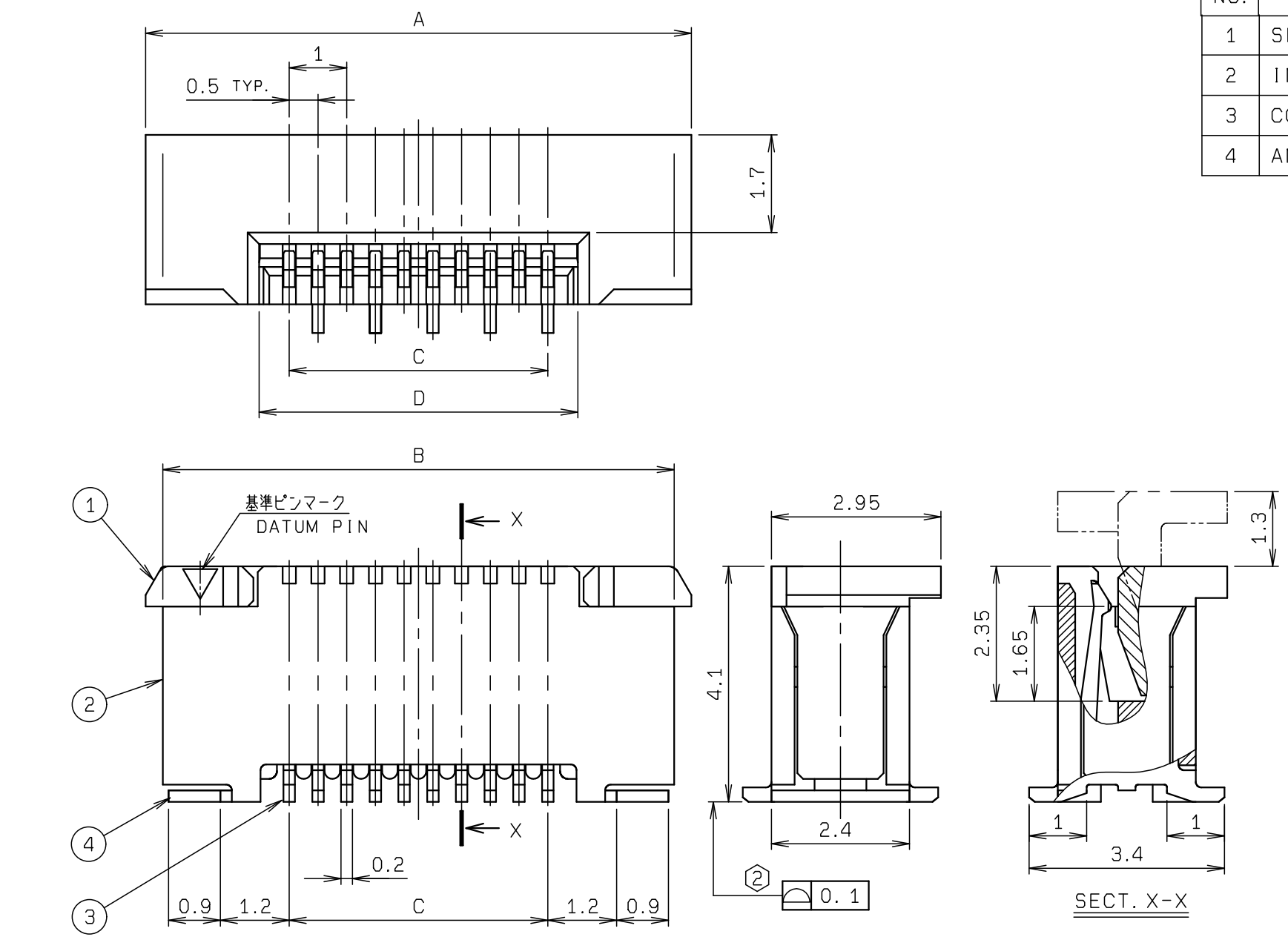
② コンタクトテールの最大浮き0.1とする。
CONTACT TAIL HEIGHT SHALL BE 0.1MAX.

③ 適用FPC FFC寸法は1か2を選択のこと。
SELECT AN APPLICABLE FPC FFC FROM 1 OR 2.

※この注記は1ページ目にも適用
※THIS NOTES IS APPLICABLE TO SHEET-1 ONLY.

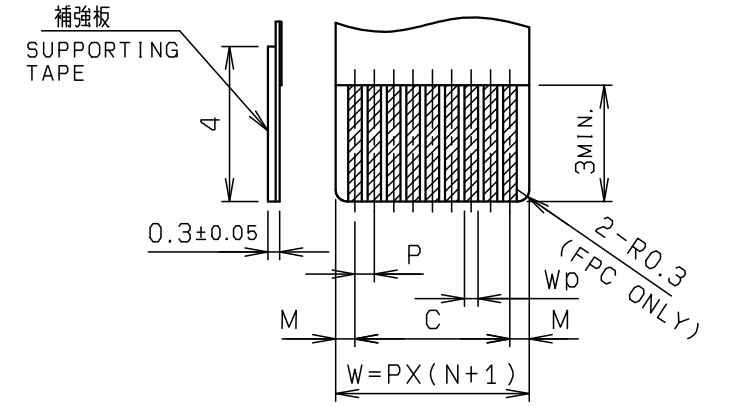
種数 NO. OF POS.	A	B	C	D
6	7.5	6.9	2.5	3.6
7	8.0	7.4	3.0	4.1
8	8.5	7.9	3.5	4.6
9	9.0	8.4	4.0	5.1
10	9.5	8.9	4.5	5.6
11	10.0	9.4	5.0	6.1
12	10.5	9.9	5.5	6.6
13	11.0	10.4	6.0	7.1
14	11.5	10.9	6.5	7.6
15	12.0	11.4	7.0	8.1
16	12.5	11.9	7.5	8.6
17	13.0	12.4	8.0	9.1
18	13.5	12.9	8.5	9.6
19	14.0	13.4	9.0	10.1
20	14.5	13.9	9.5	10.6
21	15.0	14.4	10.0	11.1
22	15.5	14.9	10.5	11.6
23	16.0	15.4	11.0	12.1
24	16.5	15.9	11.5	12.6
25	17.0	16.4	12.0	13.1
26	17.5	16.9	12.5	13.6
27	18.0	17.4	13.0	14.1
28	18.5	17.9	13.5	14.6
29	19.0	18.4	14.0	15.1
30	19.5	18.9	14.5	15.6

※この表は1ページ目にも適用
※THIS CHART IS APPLICABLE TO SHEET-1 ONLY.



③	FPC		FFC	
	1	2	1	2
M	0.5±0.12	0.5±0.1	0.5±0.1	0.5±0.08
P	0.5±0.02	0.5±0.05	0.5±0.03	0.5±0.05
C	C±0.03	C±0.05	C±0.03	C±0.05
W	W±0.07	W±0.07	W±0.07	W±0.07
WD	0.35 ^{+0.04} _{-0.03}	0.35±0.05	0.3 ^{+0.05} _{-0.02}	0.3 ^{+0.05} _{-0.02}

適用FPC, FFC寸法
APPLICABLE FPC, FFC



TOLERANCE / 一般公差(S)		PRODUCT SPEC / 製品規格		B	DCN19C35	2019/11/08	A. MURATA	N. KITAGAWA	Y. FUJII
X < 10 ±0.2		UNIT		A	DCN19763	2019/08/26	A. MURATA	N. KITAGAWA	Y. FUJII
10 ≤ X < 30 ±0.25		mm		O	EDN-044	2004/01/19	M. SASAKI	T. SATOH	N. HAYASHI
30 ≤ X ±0.3		ANGLE		NO.	EDN/DCN	DATE	ISSUE	CHECKED	APPROVED
ANGLE / 角度 ±3°		3RD		PART NAME / 品名					
SCALE		DATE		SERIES 6214 FPC FFC ASSY ST SMT					
10:1		2004/01/19		0.5mm PITCH					
DRAWN		APPROVED		PART NO. / 型番					
T. KOMATSU		N. HAYASHI		04 6214 OXX 010 800 / +					
DESIGNED		CHECKED		DWG NO. / 図番					
M. SASAKI		T. SATOH		BJS 6214053					
KYOCERA				SHEET/REV					
				1/2 B					

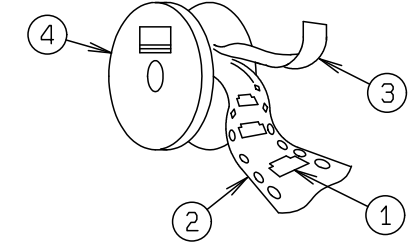
© 2019 KYOCERA Corporation

ROHS規制対応
COMPLIANT WITH
ROHS REGULATIONS

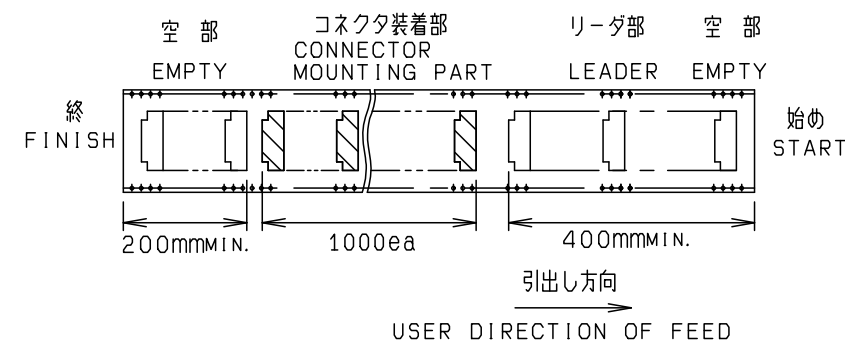
NO.	DESCRIPTION	PART NO.	QTY	MATERIAL	DRW NO.	REMARKS
1	CONNECTOR	04 6214 0XX 010 800 / +	1000			00 6214 0XX 010 800 / +
2	EMBOSSSED TAPE		1	POLYSTYRENE		
3	TOP COVER TAPE		1	POLYSTYRENE		
4	REEL		1	POLYSTYRENE		

注記
NOTE

1. 梱包数量 : 1000 個/リール
PACKING QUANTITY : 1000 ea/reel
2. 納入時のリール巻き方向
REELING DIRECTION IN DELIVERY



3. 引出し方向
USER DIRECTION OF FEED

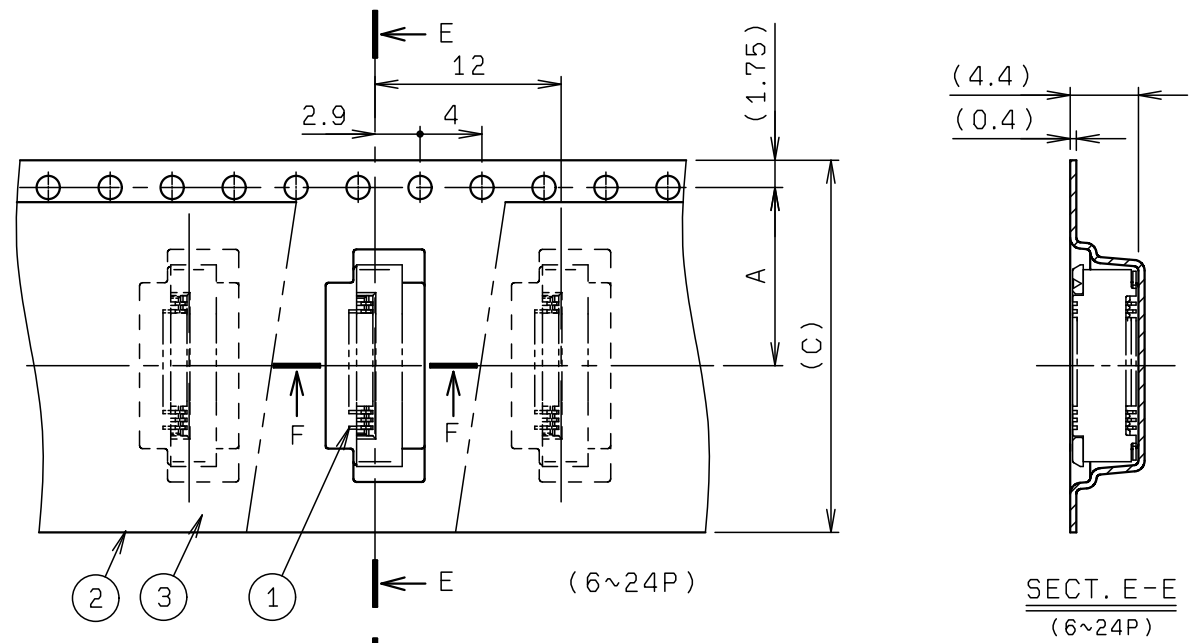


4. 型番 P/N 04 6214 0XX 010 800 / +
極数 NO. OF POS.

※この注記の1~3は2ページ目にのみ適用
※THIS NOTES 1 TO 3 ARE APPLICABLE TO SHEET-2 ONLY.

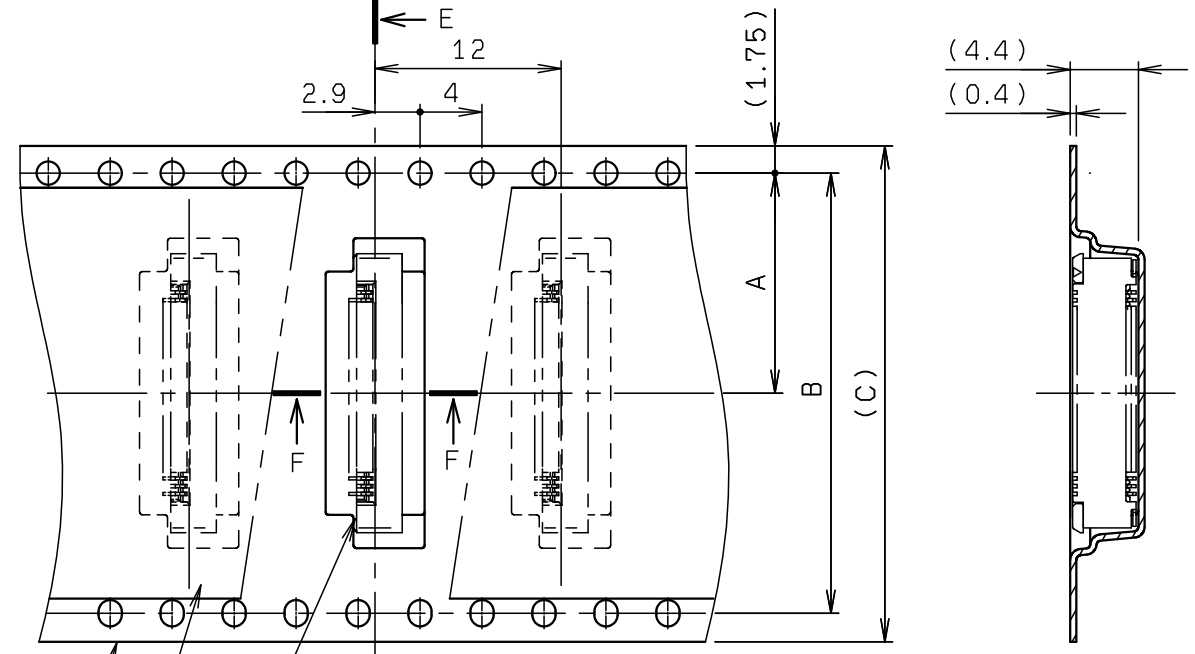
極数 NO. OF POS.	A	B	C	D
6	7.5	—	16.0	22.4
7	7.5	—	16.0	22.4
8	7.5	—	16.0	22.4
9	11.5	—	24.0	30.4
10	11.5	—	24.0	30.4
11	11.5	—	24.0	30.4
12	11.5	—	24.0	30.4
13	11.5	—	24.0	30.4
14	11.5	—	24.0	30.4
15	11.5	—	24.0	30.4
16	11.5	—	24.0	30.4
17	11.5	—	24.0	30.4
18	11.5	—	24.0	30.4
19	11.5	—	24.0	30.4
20	11.5	—	24.0	30.4
21	11.5	—	24.0	30.4
22	11.5	—	24.0	30.4
23	11.5	—	24.0	30.4
24	11.5	—	24.0	30.4
25	14.2	28.4	32.0	38.4
26	14.2	28.4	32.0	38.4
27	14.2	28.4	32.0	38.4
28	14.2	28.4	32.0	38.4
29	14.2	28.4	32.0	38.4
30	14.2	28.4	32.0	38.4

※この表は2ページ目にのみ適用
※THIS CHART IS APPLICABLE TO SHEET-2 ONLY.



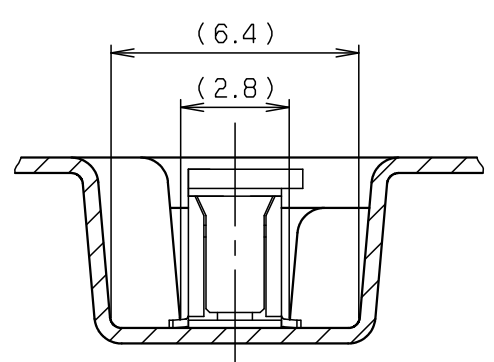
(4.4)
(0.4)

SECT. E-E
(6~24P)

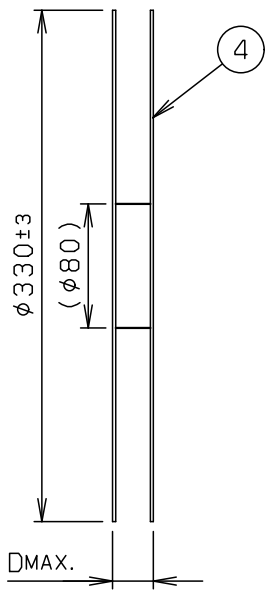
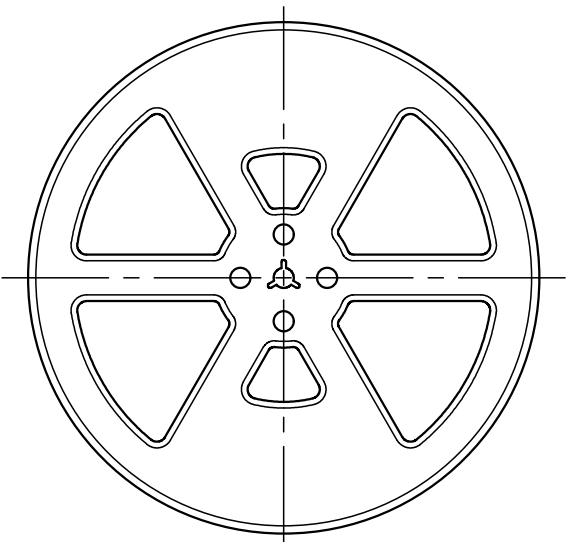


(4.4)
(0.4)

SECT. E-E
(25~30P)



SECT. F-F (S=5:1)



REEL DIMENSION (S=1:5)

TOLERANCE / 一般公差(S)		PRODUCT SPEC / 製品規格			
X < 10	±0.2	UNIT	ANGLE	REFER TO SHEET 1/2	
10 ≤ X < 30	±0.25	mm	3RD	NO.	EDN/DCN
30 ≤ X	±0.3	SCALE	DATE	DATE	ISSUE
ANGLE / 角度	±3°	2 : 1	2004/01/19	CHECKED	APPROVED
DRAWN	DESIGNED	CHECKED	APPROVED	PART NAME / 品名	
T. KOMATSU	M. SASAKI	T. SATOH	N. HAYASHI	SERIES 6214	
				EMBOSSSED TAPE ASSY (WITH PLATE)	
				PART NO. / 型番	
				04 6214 0XX 010 800 / +	
				DWG NO. / 図番	
				BJS 6214053	
				SHEET / REV	
				12 / 2 B	

© 2019 KYOCERA Corporation

ROHS規制対応
COMPLIANT WITH
ROHS REGULATIONS