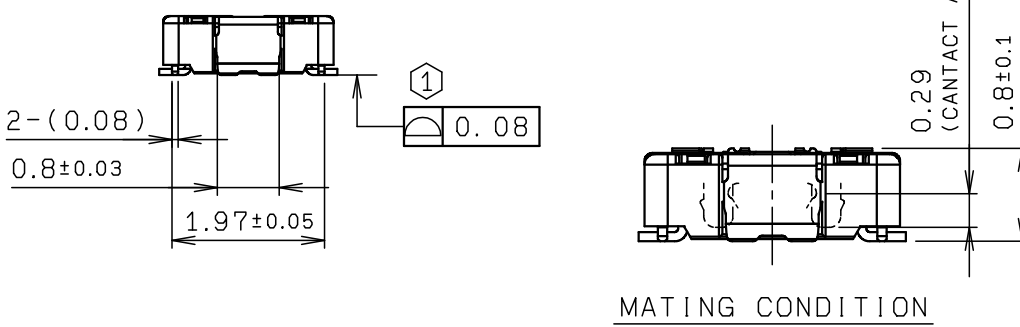
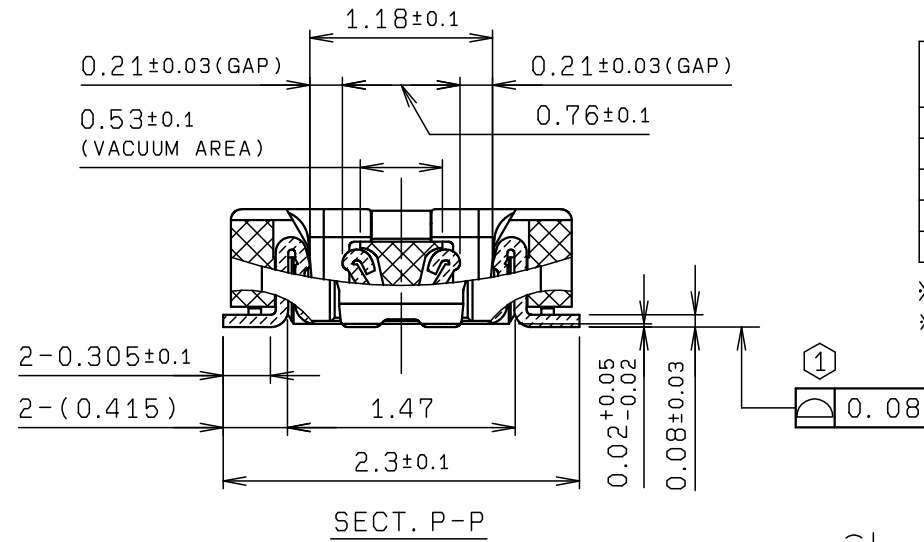
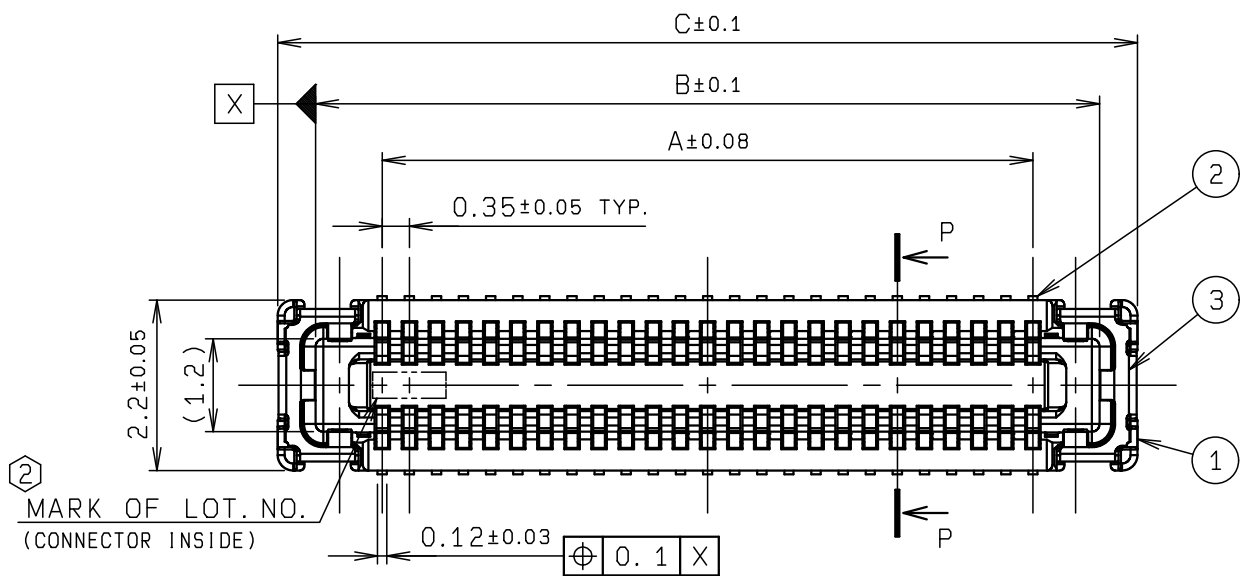


NO.	DESCRIPTION	PART NO.	QTY	MATERIAL	DRW NO.	REMARKS
1	INSULATOR		1	LCP		COLOR:BLACK UL94V-0
2	CONTACT		N	COPPER ALLOY		Au, Be-Free
3	ANCHOR PLATE		2	COPPER ALLOY		Au, Be-Free

極数 NO. OF POS.	A	B	C	D	E	F
24	3.85	5.57	6.55	5.25	—	6.47
30	4.9	6.62	7.6	6.3	—	7.52
40	6.65	8.37	9.35	8.05	—	9.27
50	8.4	10.12	11.1	9.8	—	11.02
60	10.15	11.87	12.85	11.55	—	12.77

※この表は1ページ目のみ適用
 ※THIS CHART IS APPLICABLE TO SHEET-1 ONLY.



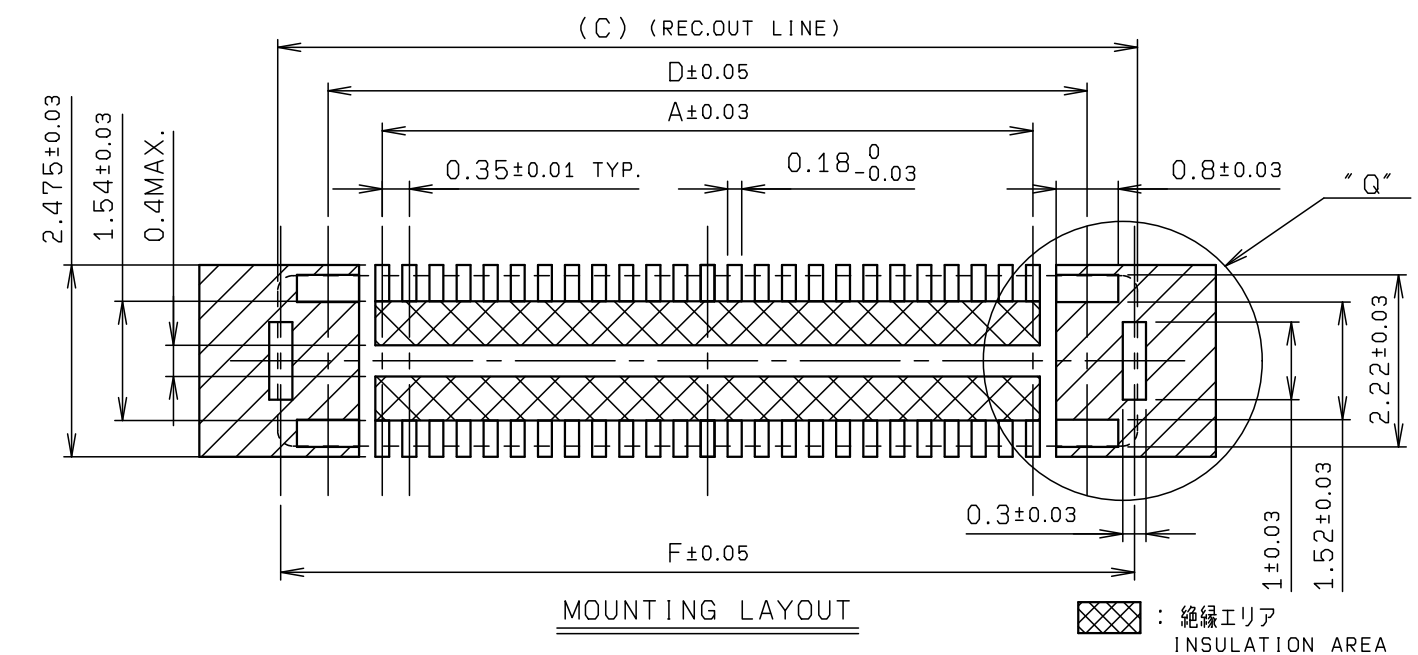
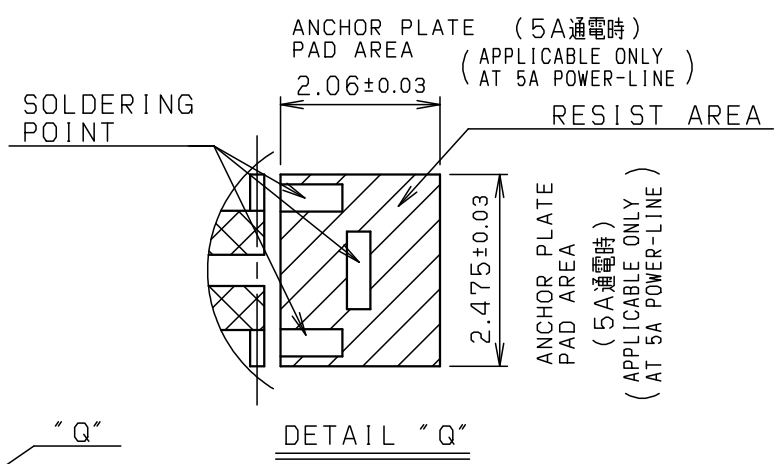
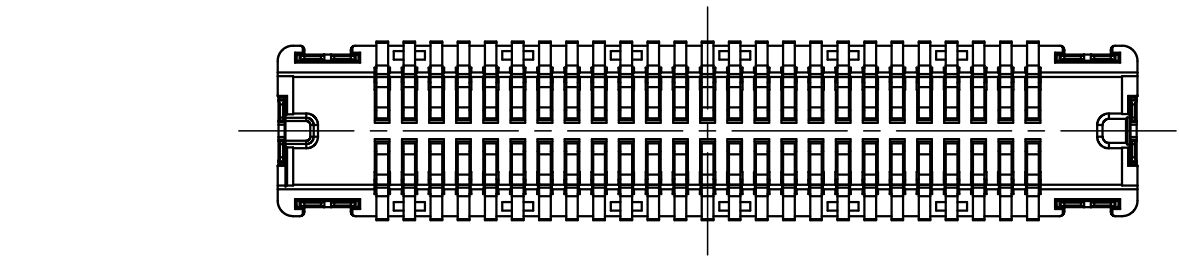
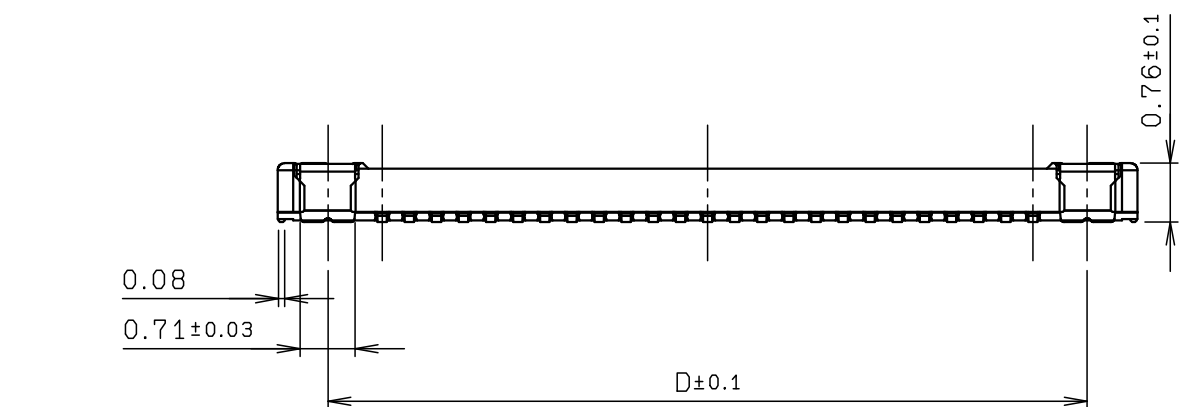
注記
 NOTE

① テール及び金具底面の相互の輪郭度は、0.08MAX.
 COPLANARITY OF CONTACT TAIL
 AND ANCHOR PLATE IS 0.08MAX.

② 図示の位置にLOT NO. を刻印する。(レーザー)
 LOT NO. SHALL BE MARKED
 AT THE SPECIFIED POSITION. (LASER)

K 3 01 S
 工場コード
 製造日 1, 2, ~29, 30, 31.
 製造月 1, 2, ~9, X, Y, Z.
 「K」表示(固定)

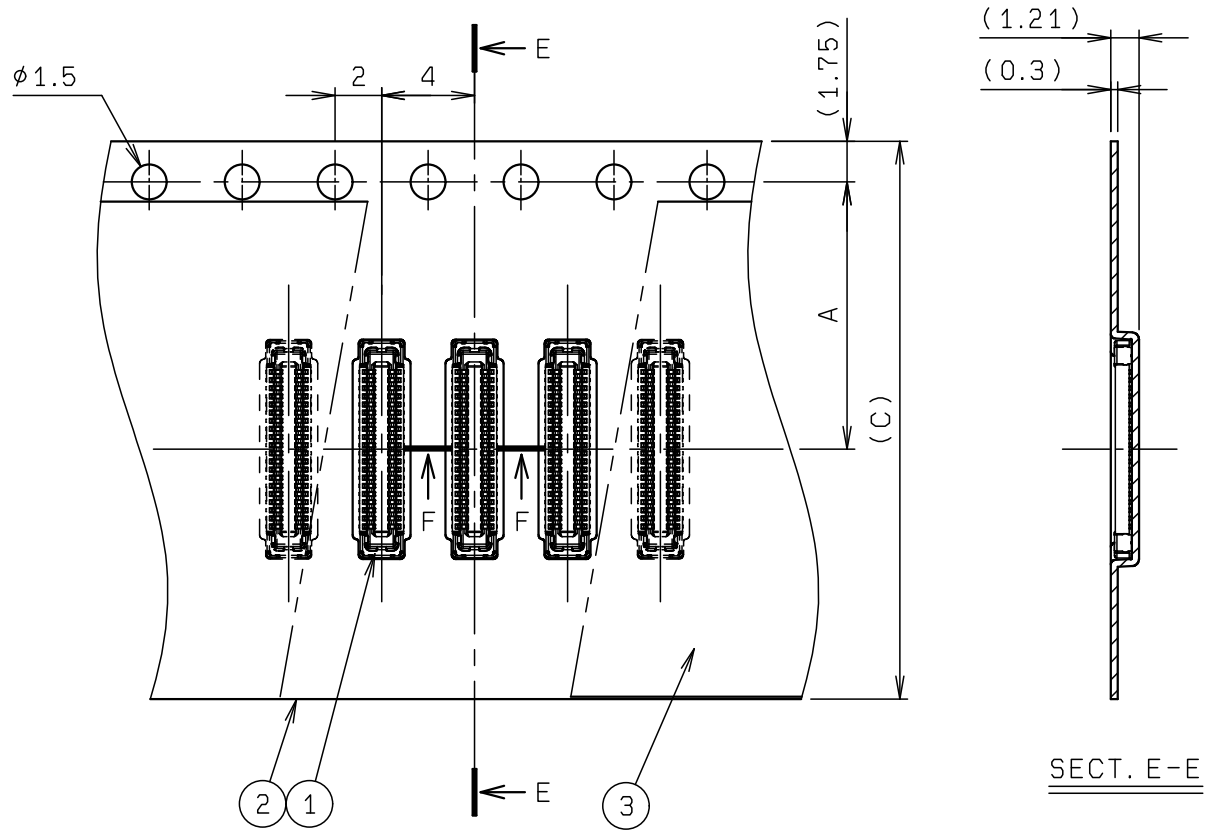
※この注記は1ページ目のみ適用
 ※THIS NOTES IS APPLICABLE TO SHEET-1 ONLY.



ROHS規制対応
 COMPLIANT WITH
 ROHS REGULATIONS

TOLERANCE / 一般公差(S)		PRODUCT SPEC / 製品規格		F	DCN18144	2018/02/13		
X < 10	±0.2	UNIT	ANGLE	E	DCN-1168	2017/12/14	Y. TSURUOKA	A. TSUNEMURA
10 ≤ X < 30	±0.25	mm	3RD	O	EDN-183	2015/05/10	G. IKEDA	K. HIRATA
30 ≤ X	±0.3	SCALE	DATE	NO.	EDN/DCN	DATE	ISSUE	CHECKED
ANGLE / 角度	±3°	NTS	2015/05/10	PART NAME / 品名				
				SERIES 5863 REC ASSY				
				0.35mm PITCH BOARD TO BOARD H=0.8				
DRAWN	DESIGNED	CHECKED	APPROVED	PART NO. / 型番				
G. IKEDA	G. IKEDA	K. HIRATA	K. YAMANE	24 5863 XXX 104 829 +				
KYOCERA Corporation				DWG NO. / 図番		SHEET/REV		
				BJS 5863008		1/2 F		

NO.	DESCRIPTION	PART NO.	QTY	MATERIAL	DRW NO.	REMARKS
1	CONNECTOR	24 5863 XXX 104 829 +	15000			20 5863 XXX 104 829 +
2	EMBOSSED TAPE		1	POLYSTYRENE		
3	TOP COVER TAPE		1	PET		
4	REEL		1	POLYSTYRENE		



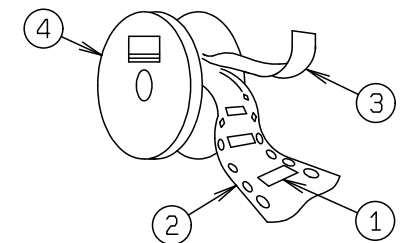
種数 NO. OF POS.	A	B	C	D
24	7.5	-	16.0	22.4
30	7.5	-	16.0	22.4
40	11.5	-	24.0	30.4
50	11.5	-	24.0	30.4
60	11.5	-	24.0	30.4

※この表は2ページ目のみ適用
 ※THIS CHART IS APPLICABLE TO SHEET-2 ONLY.

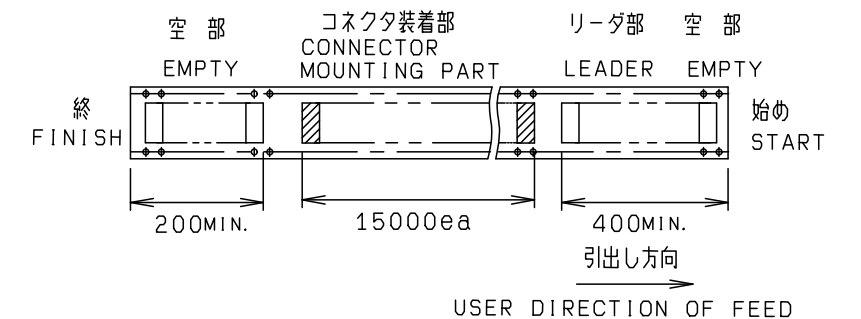
注記
NOTE

1. 梱包数量: 15000 個/リール
 PACKING QUANTITY: 15000 ea/reel

2. 納入時のリール巻き方向
 REELING DIRECTION IN DELIVERY



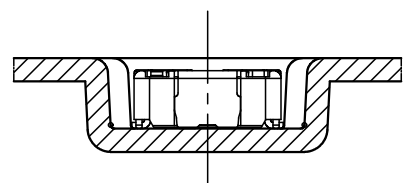
3. 引出し方向
 USER DIRECTION OF FEED



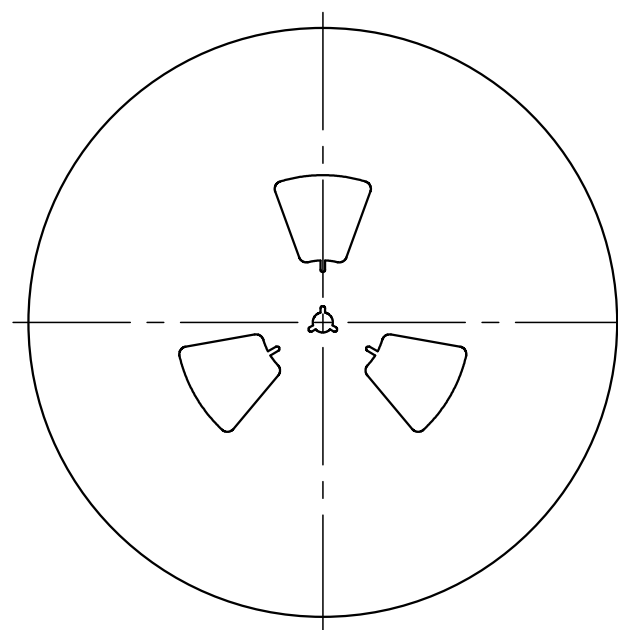
4. 型番
P/N 24 5863 XXX 104 829 +

種数
NO. OF POS.

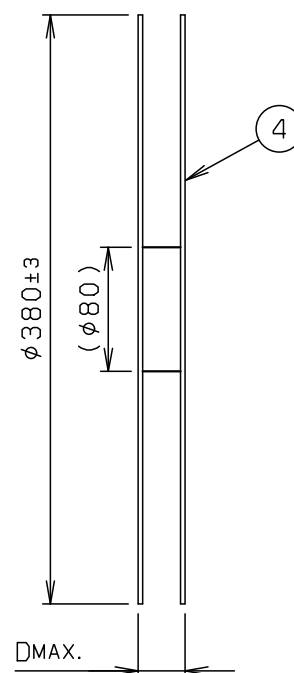
※この注記の1~4は2ページ目のみ適用
 ※THIS NOTES 1 TO 4 ARE APPLICABLE TO SHEET-2 ONLY.



SECT. F-F (S=10:1)



REEL DIMENSION (S=1:5)



ROHS規制対応
 COMPLIANT WITH
 ROHS REGULATIONS

TOLERANCE / 一般公差 (S)		PRODUCT SPEC / 製品規格		REFER TO SHEET 1/2		
X < 10	±0.2	UNIT	ANGLE	NO.	EDN/DCN	DATE
10 ≤ X < 30	±0.25	mm	3RD	ISSUE	CHECKED	APPROVED
30 ≤ X	±0.3	SCALE	DATE	PART NAME / 品名		
ANGLE / 角度	±3°	3 : 1	2015/05/10	SERIES 5863 REC EMBOSS ASSY 0.35mm PITCH BOARD TO BOARD H=0.8 W=2.3		
DRAWN	DESIGNED	CHECKED	APPROVED	PART NO. / 型番		
G. IKEDA	G. IKEDA	K. HIRATA	K. YAMANE	24 5863 XXX 104 829 +		
KYOCERA Corporation				DWG NO. / 図番		SHEET/REV
				BJS 5863008		12/2 F