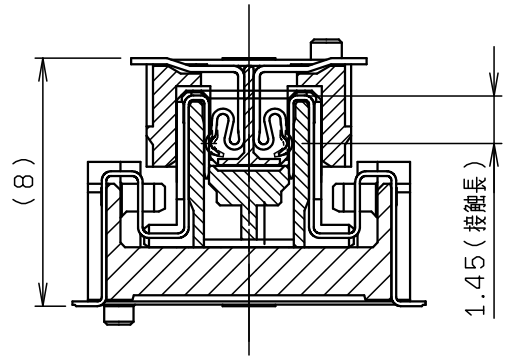
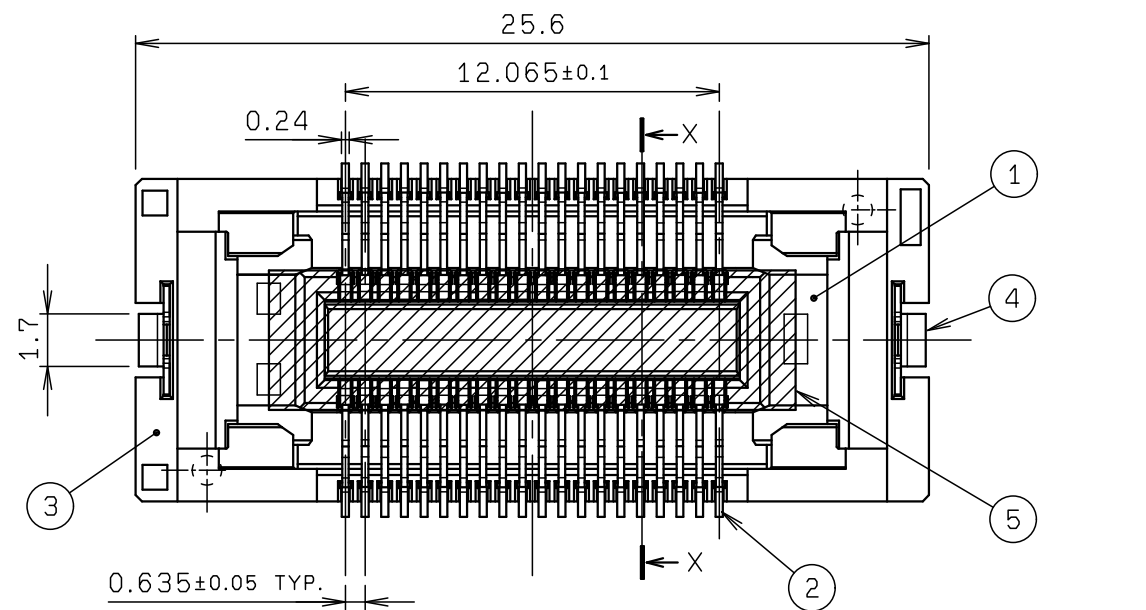
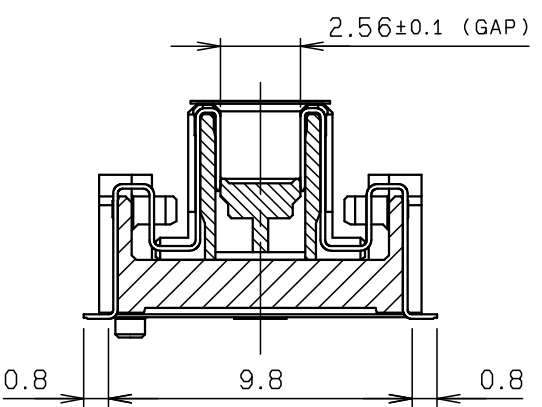
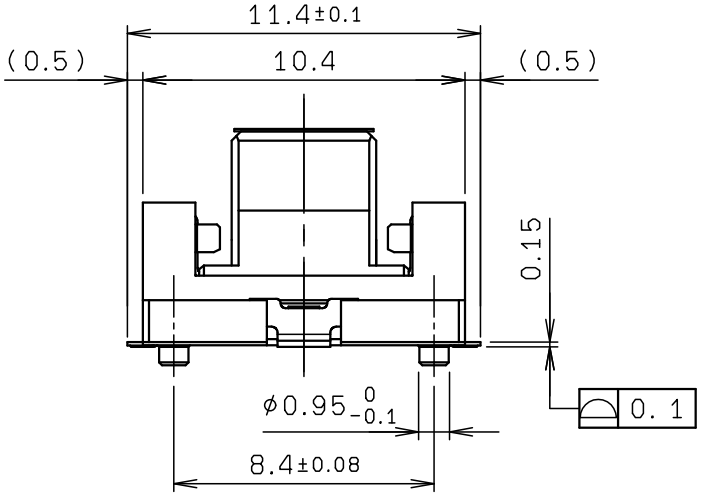
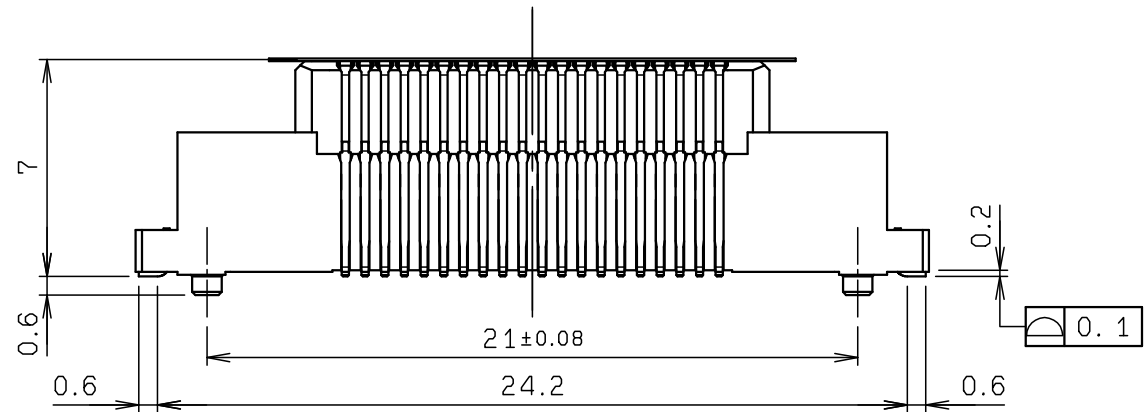


NO.	DESCRIPTION	PART NO.	QTY	MATERIAL	DRW NO.	REMARKS
1	INSULATOR		1	LCP		UL94V-0
2	CONTACT		40	PHOS-BRONZE		
3	GUIDE PLATE		1	LCP		UL94V-0
4	ANCHOR PLATE		2	PHOS-BRONZE		Sn-Cu 2μm MIN.
5	VACUUM TAPE		1			



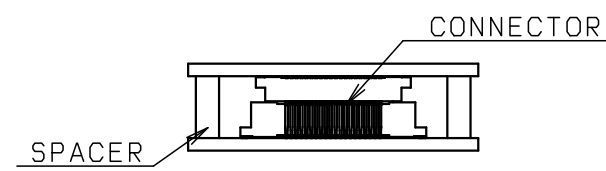
MATING CONDITION



SECT. X-X

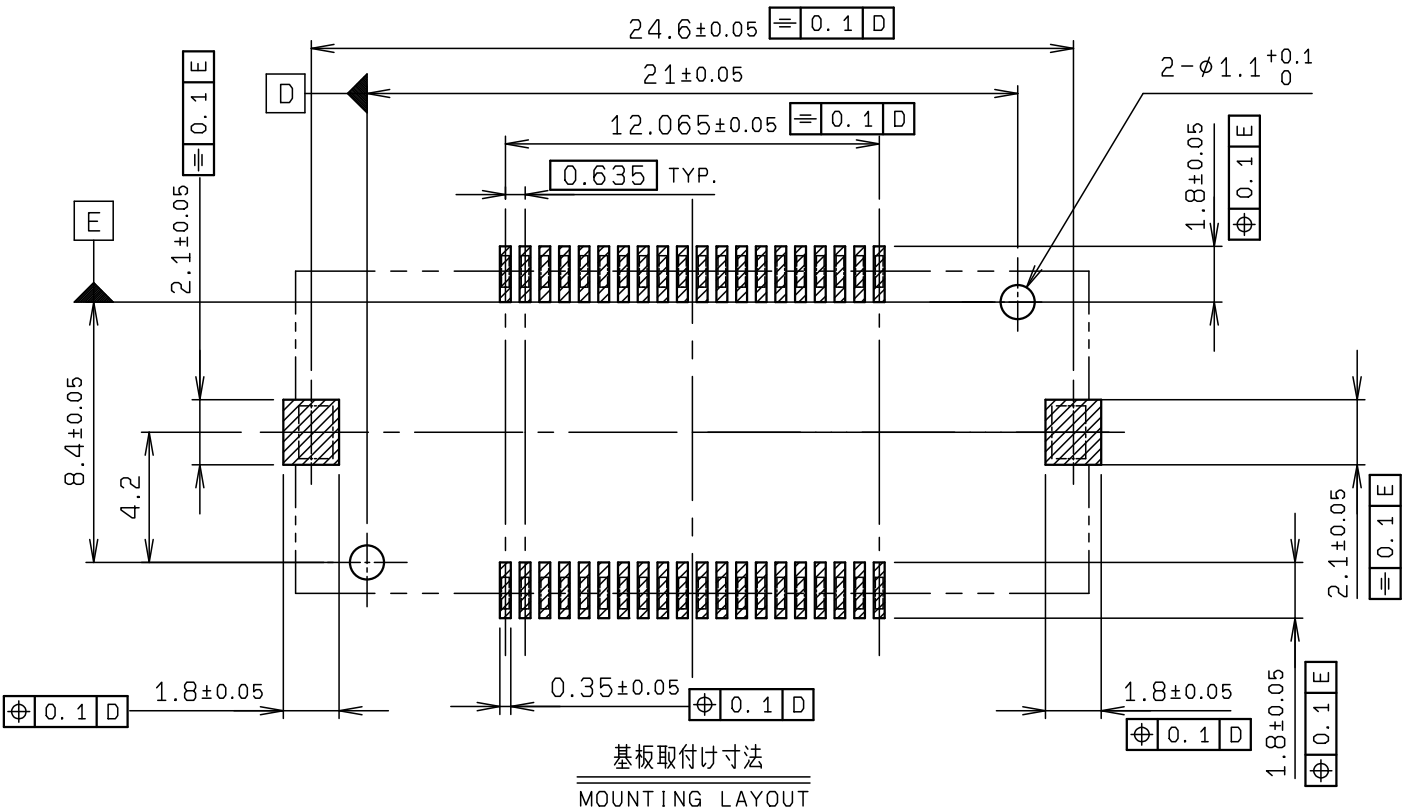
注記
NOTE

1. 嵌合状態でのフローティング量
X=±0.5, Y=±0.5.
2. 基板間をスペーサー等で固定し、
コネクタのみで基板を保持しないでください。



ROHS規制対応
COMPLIANT WITH
ROHS REGULATIONS

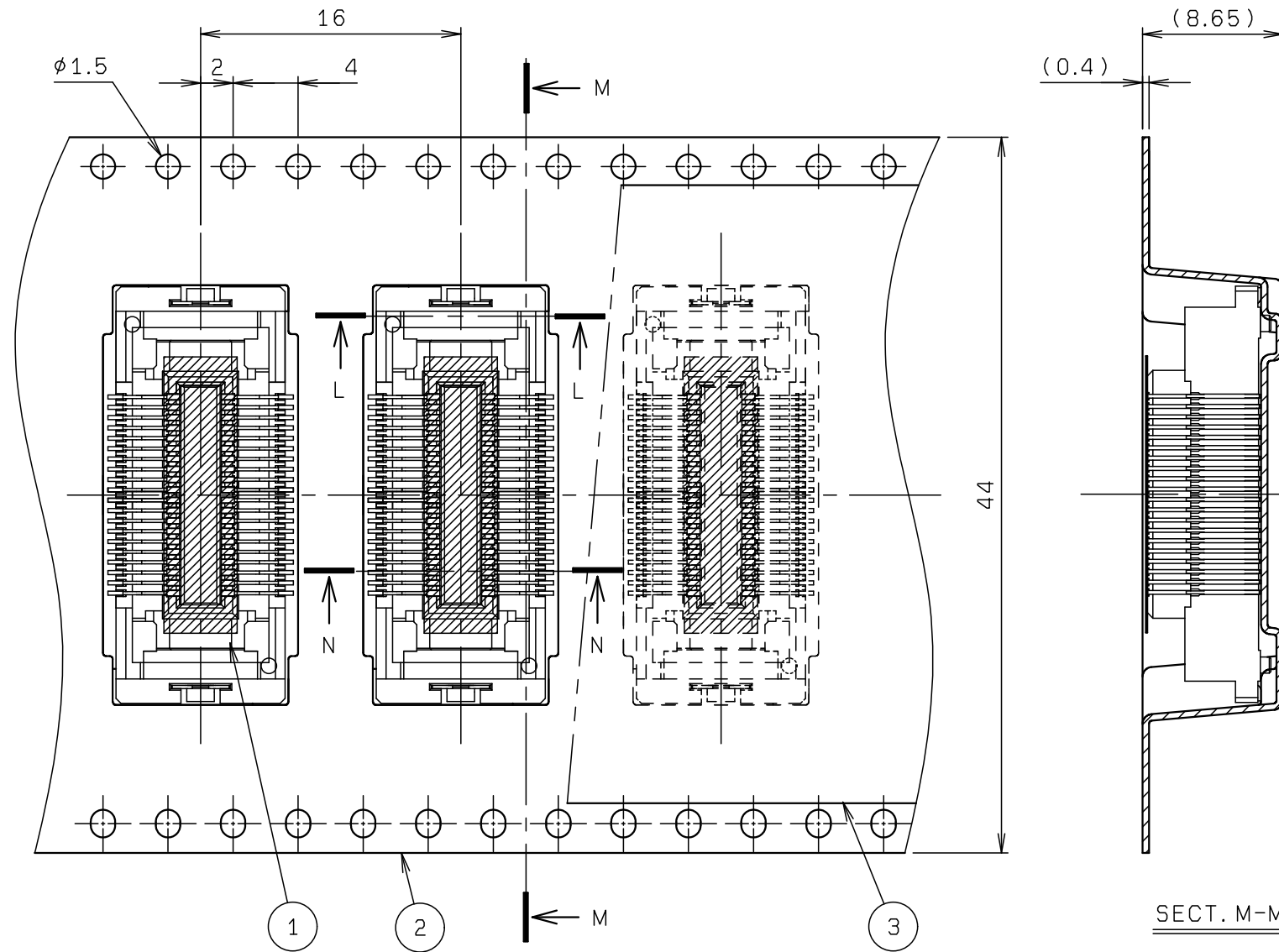
※この注記は1ページ目だけに適用
※THIS NOTES IS APPLICABLE TO SHEET-1 ONLY.



TOLERANCE / 一般公差(S)		PRODUCT SPEC / 製品規格		B DCN18599 2018/07/02			
X < 10	±0.2	UNIT	ANGLE	A DCN-881	2014/09/22	M. YOSHIDA	T. MORI
10 ≤ X < 30	±0.25	mm	3RD	O EDN-422	2013/07/23	M. YOSHIDA	T. MORI
30 ≤ X	±0.3	SCALE	DATE	NO. EDN/DCN	DATE	ISSUE	CHECKED APPROVED
ANGLE / 角度	±3°	NTS	2013/07/23	PART NAME / 品名			
				SERIES 5689 PLUG ASSY ST SMT FLOATING			
				0.635mm PITCH BOARD to BOARD H=8mm			
DRAWN	DESIGNED	CHECKED	APPROVED	PART NO. / 型番			
M. TAKAHASHI	M. YOSHIDA		T. MORI	14 5689 040 000 858 +			
DWG NO. / 図番				SHEET/REV			
BJS 5689007				1/2 B			

KYOCERA KYOCERA Corporation

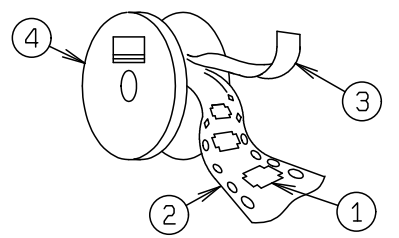
NO.	DESCRIPTION	PART NO.	QTY	MATERIAL	DRW NO.	REMARKS
1	CONNECTOR	14 5689 040 000 858 +	500			10 5689 040 000 858 +
2	EMBOSED TAPE		1	POLYSTYRENE		
3	TOP COVER TAPE		1	POLYSTYRENE		
4	REEL		1	POLYSTYRENE		



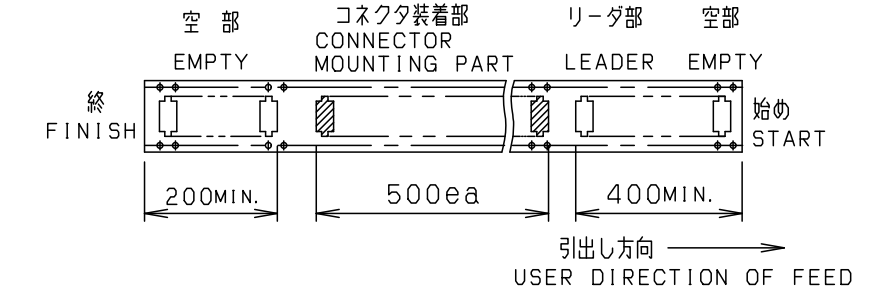
注記
NOTE

1. 梱包数量 : 500 個/リール
PACKING QUANTITY : 500 ea/reel

2. 納入時のリール巻き方向
REELING DIRECTION
IN DELIVERY



3. 引出し方向
USER DIRECTION OF FEED



4. 型番
P/N

14 5689 040 000 858 +

極数
NO OF POS.

バリエーション
VARIATION

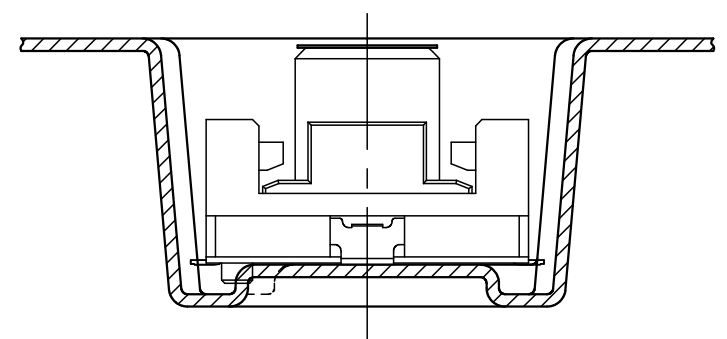
000 : ポスあり, 吸着テープあり

CONTACT AREA : Au 0.25μmMIN.

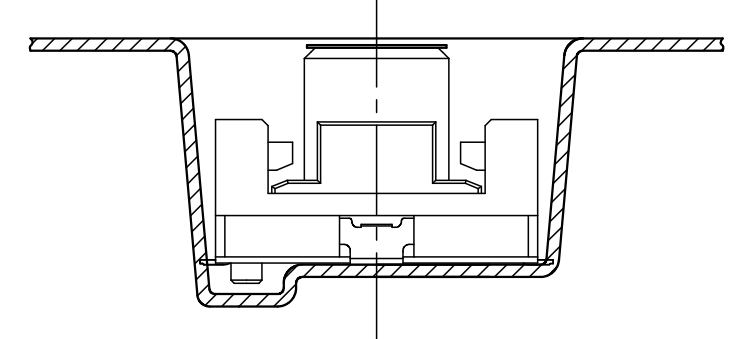
※この注記の1~3は2ページ目区のみ適用

※THIS NOTES 1 TO 3 ARE APPLICABLE TO SHEET-2 ONLY.

ROHS規制対応
COMPLIANT WITH
ROHS REGULATIONS



SECT. N-N
(S=4:1)



SECT. L-L
(S=4:1)

TOLERANCE / 一般公差(S)		PRODUCT SPEC / 製品規格		REFER TO SHEET 1/2					
X < 10	±0.2	UNIT	ANGLE	NO.	EDN/DCN	DATE	ISSUE	CHECKED	APPROVED
10 ≤ X < 30	±0.25	mm	3RD	PART NAME / 品名					
30 ≤ X	±0.3	SCALE	DATE	SERIES 5689 PLUG EMBOSS ASSY					
ANGLE / 角度	±3°	5 : 2	2013/07/23	PART NO. / 型番					
DRAWN	DESIGNED	CHECKED	APPROVED	14 5689 040 000 858 +					
M. TAKAHASHI	M. YOSHIDA		T. MORI	DWG NO. / 図番					
KYOCERA Corporation				BJS 5689007				SHEET/REV	
								12/21 B	