

ROHS規制対応
COMPLIANT WITH
RoHS REGULATIONS

NO.	DESCRIPTION	PART NO.	QTY	MATERIAL	DRW NO.	REMARKS
1	INSULATOR		1	HEAT RESISTANCE PLASTIC		COLOR: BLACK
2	CONTACT		N	COPPER ALLOY		t=0.15 AU PLATING
3	ANCHOR PLATE		2	BRASS		t=0.2 Sn-Cu PLATING
4	VACUUM TAPE		1	HEAT RESIST		

種数 NO. OF POS.	A	B	C	D
60	21.8	14.5	17.0	22.5
80	26.8	19.5	22.0	27.5

※この表は1ページ目のみ適用
※THIS CHART IS APPLICABLE TO SHEET-1 ONLY.

注記
NOTE

- FLOATING構造はPLUG側
THE FLOATING STRUCTURE IS ON THE PLUG SIDE.
- COPLANARITY 0.1 MAX.

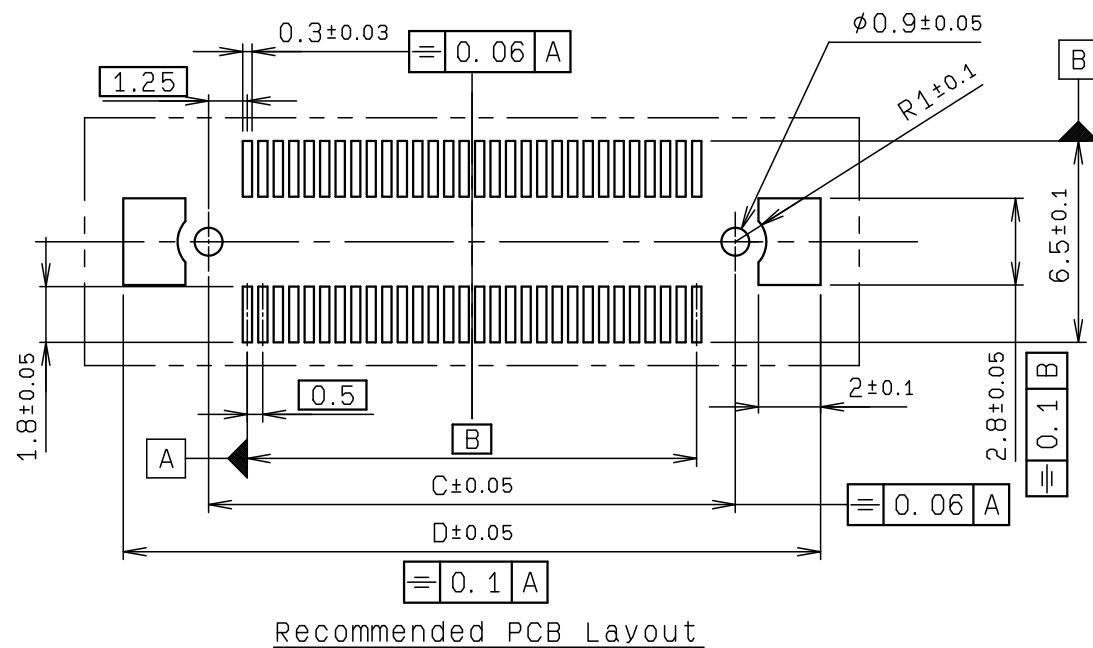
③ LOT MARK

E 1 2 5 X X (例) 2024年1月25日
生産場所コード (PRODUCTION LOCATION CODE)
製造日 (DAY) 1, 2, ~29, 30, 31.
製造月 (MONTH) 1, 2, ~9, X, Y, Z.
製造年 (YEAR) 2020~2029: A, B, ~K (NOT USE 'I')
2030~2039: 0, 1, ~9
(20 YEAR CYCLE)

④ テープ長さ、寸法は参考寸法です。(予告なく変更の可能性があります)
WIDTH AND LENGTH OF THE TAPE ARE FOR REFERENCE, AND ARE SUBJECT TO CHANGE WITHOUT NOTICE.

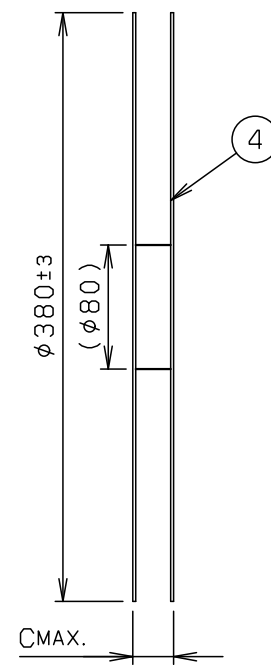
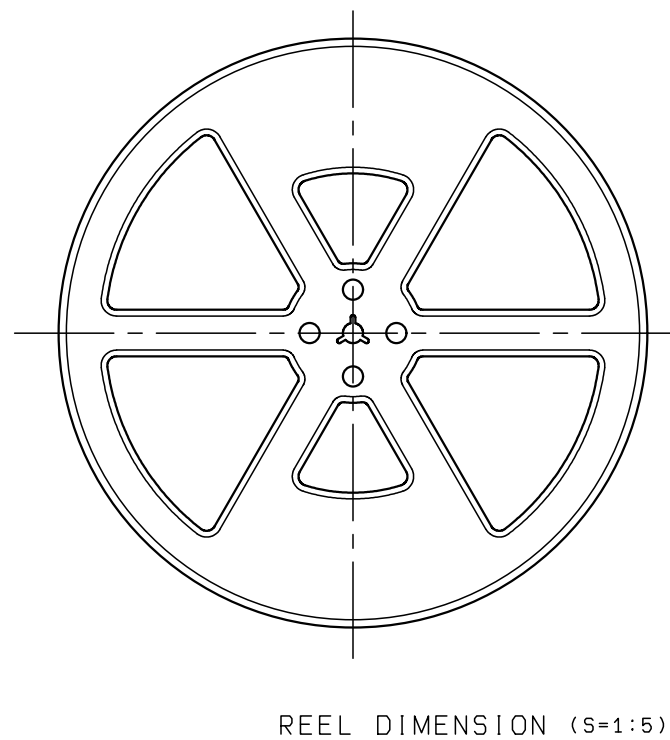
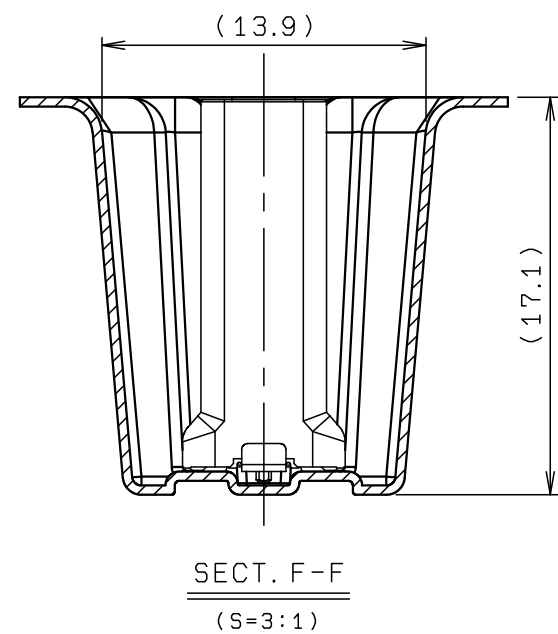
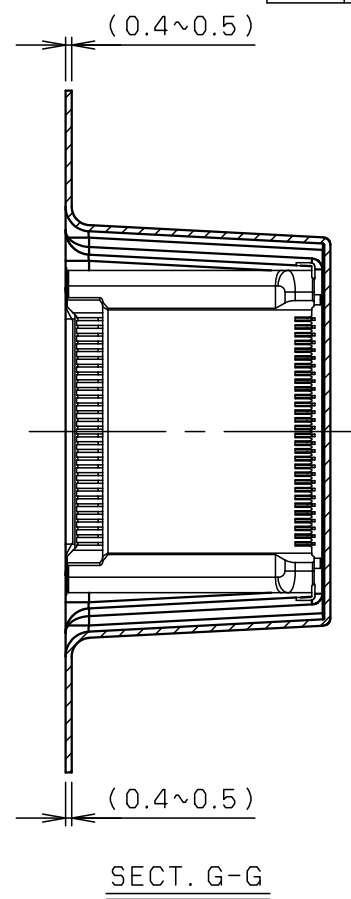
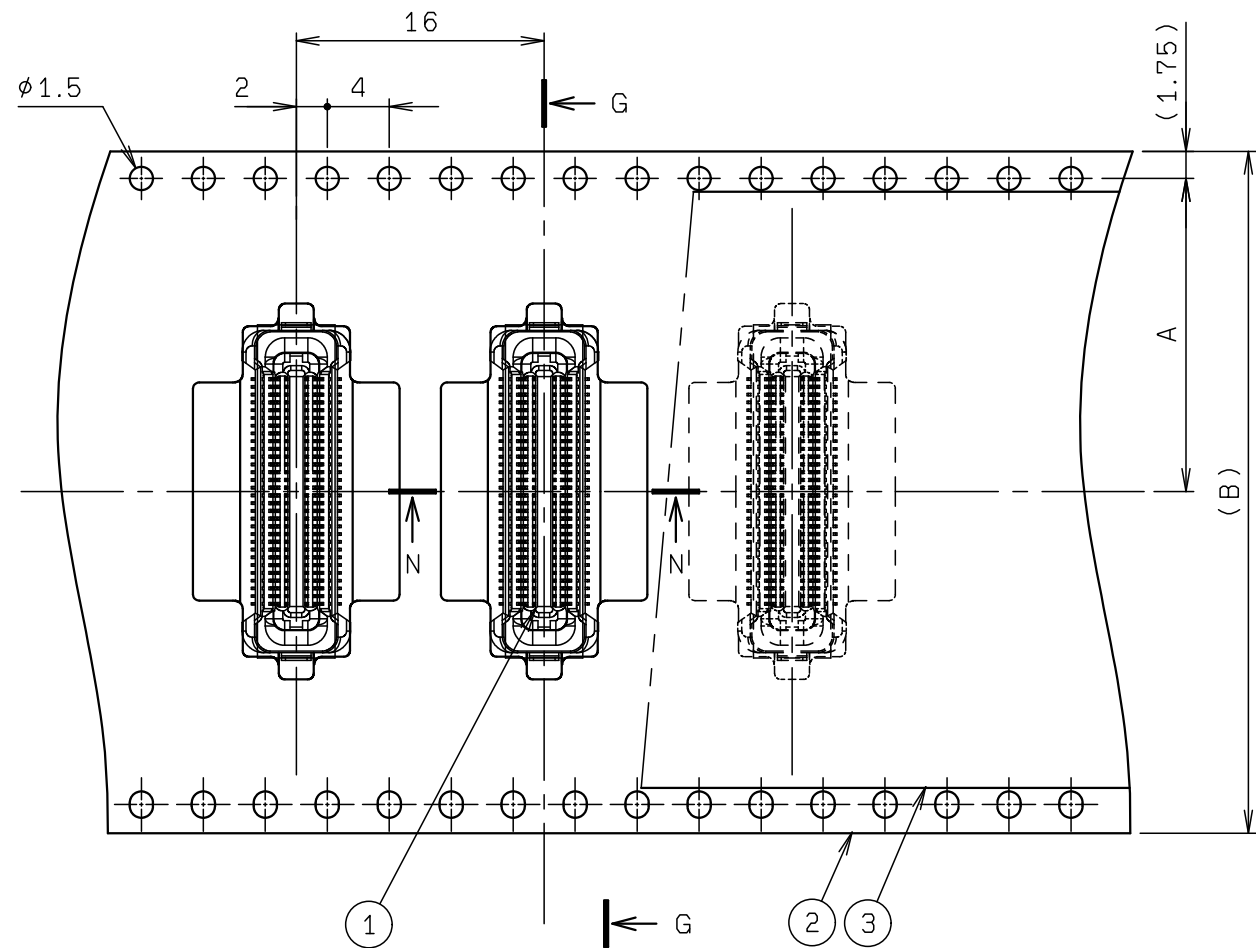
⑤ 嵌合許容高さでありKC管理寸法ではありません。
IT IS THE MATING ALLOWABLE HEIGHT, NOT THE KC CONTROLLED DIMENSION.

※この注記は1ページ目のみ適用
※THIS NOTE IS APPLICABLE TO SHEET-1 ONLY.



TOLERANCE / 一般公差(S)		PRODUCT SPEC / 製品規格		PART NAME / 品名		
X < 10	±0.2	A	DCN25529	2025/11/06	M. YOSHIDA	Y. KITAMURA
10 ≤ X < 30	±0.25	O	EDN24010	2024/01/25	Y. KITAMURA	M. YOSHIDA
30 ≤ X	±0.3	NO.	EDN/DCN	DATE	ISSUE	CHECKED
ANGLE / 角度	±3°	SCALE	4:1	DATE	2024/01/25	
DRAWN M. TAKAHASHI		DESIGNED Y. KITAMURA	CHECKED	APPROVED M. YOSHIDA	PART NO. / 型番	
				24 5656 XXX X12 829 + T		
				DWG NO. / 図番		
				BJS 5656022		
				SHEET / REV		
				1 / 2 A		

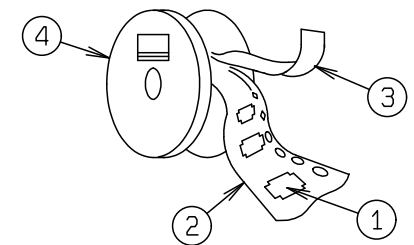
NO.	DESCRIPTION	PART NO.	QTY	MATERIAL	DRW NO.	REMARKS
1	CONNECTOR	24 5656 XXX X12 829 + T	300			20 5656 XXX X12 829 + T
2	EMBOSSSED TAPE		1	POLYSTYRENE		
3	TOP COVER TAPE		1	PET		
4	REEL		1	POLYSTYRENE		



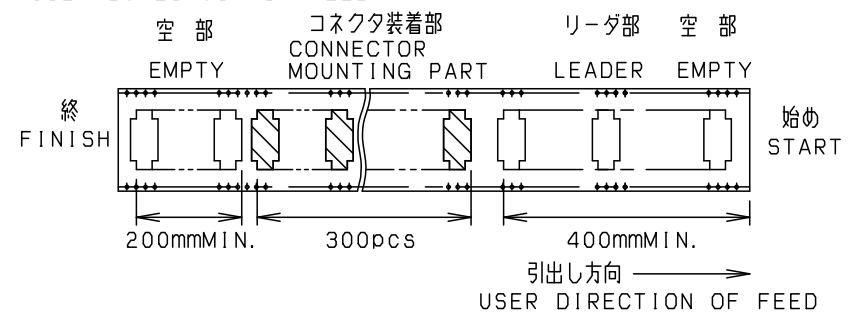
注記
NOTE

1. 梱包数量 : 300個/リール
PACKING QUANTITY : 300 ea/reel

2. 納入時のリール巻き方向
REELING DIRECTION
IN DELIVERY



3. 引出し方向
USER DIRECTION OF FEED



4. 型番
P/N

24 5656 XXX X12 829 + T

極数

NO OF POS.
060:60P
080:80P

バリエーション
VARIATION

012: WITH BOSS AND VACUUM TAPE
712: WITHOUT BOSS AND VACUUM TAPE

めっきコード

PLATING CODE
829: Ni UNDER COAT 1.0~6.0μm
CONTACT AREA Au 0.1μm MIN.
TAIL AREA Au 0.03μm MIN.

※この注記の1~3は2ページ目にも適用

※THESE NOTES 1 TO 3 ARE APPLICABLE TO SHEET-2 ONLY.

TOLERANCE / 一般公差(S)		PRODUCT SPEC / 製品規格		REFER TO SHEET 1/2	
X < 10	±0.2	UNIT	ANGLE	NO.	EDN/DCN
10 ≤ X < 30	±0.25	mm	3RD	DATE	ISSUE
30 ≤ X	±0.3	SCALE	DATE	CHECKED	APPROVED
ANGLE / 角度	±3°	2 : 1	2024/01/25	PART NAME / 品名	
DRAWN	DESIGNED	CHECKED	APPROVED	REC BOARD TO BOARD ST SMT (+12) 0.5 PITCH CONNECTOR	
M. TAKAHASHI	Y. KITAMURA		M. YOSHIDA	PART NO. / 型番	
KYOCERA				24 5656 XXX X12 829 + T	
				DWG NO. / 図番	
				BJS 5656022	
				SHEET/REV	
				12/21 A	

ROHS規制対応
COMPLIANT WITH
ROHS REGULATIONS