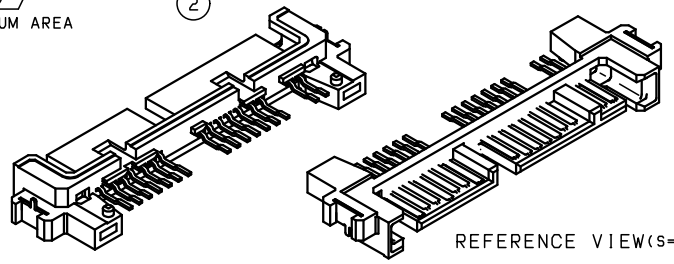
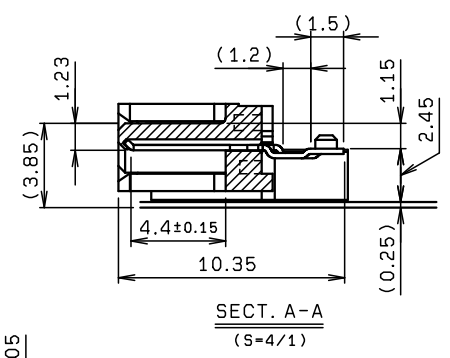


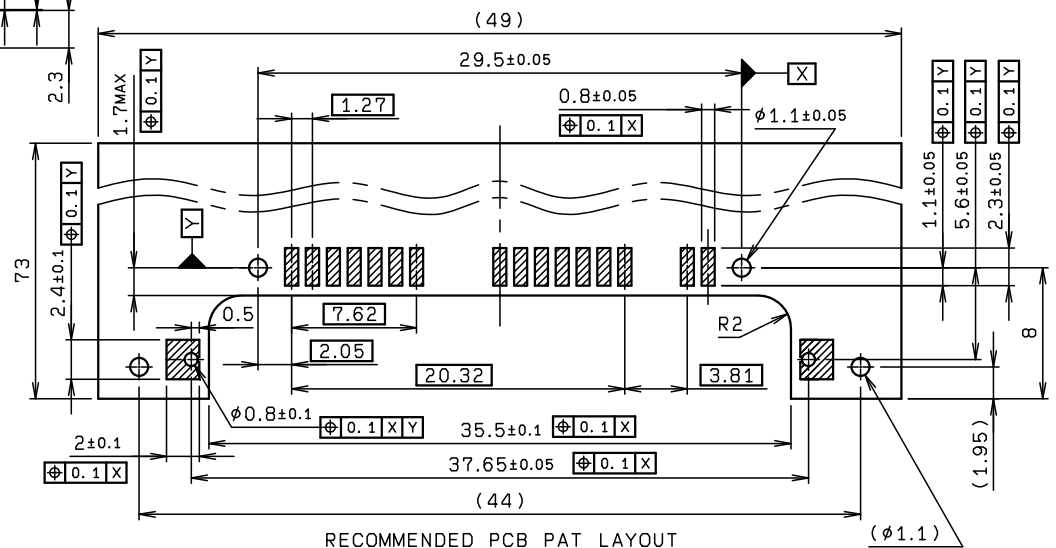
ROHS規制対応
COMPLIANT WITH
ROHS REGULATIONS



NO.	DESCRIPTION	PART NO.	QTY	MATERIAL	DRW NO.	REMARKS
1	INSULATOR		1	LCP GF		COLOR:BLACK
2	CONTACT		16	PHOS-BRONZE		
3	ANCHOR PLATE		2	PHOS-BRONZE		

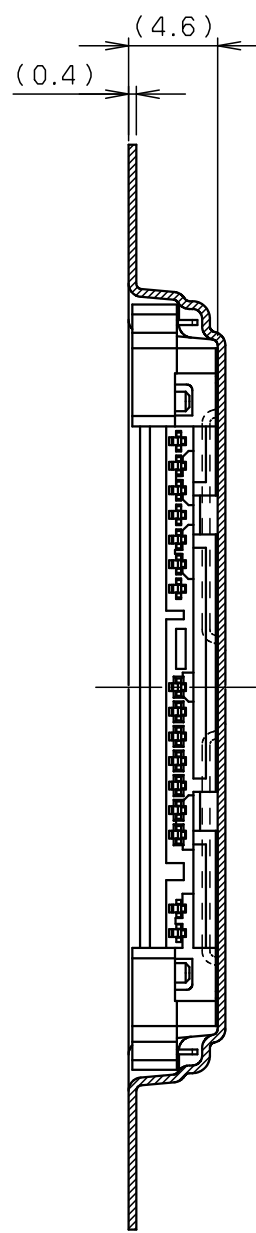
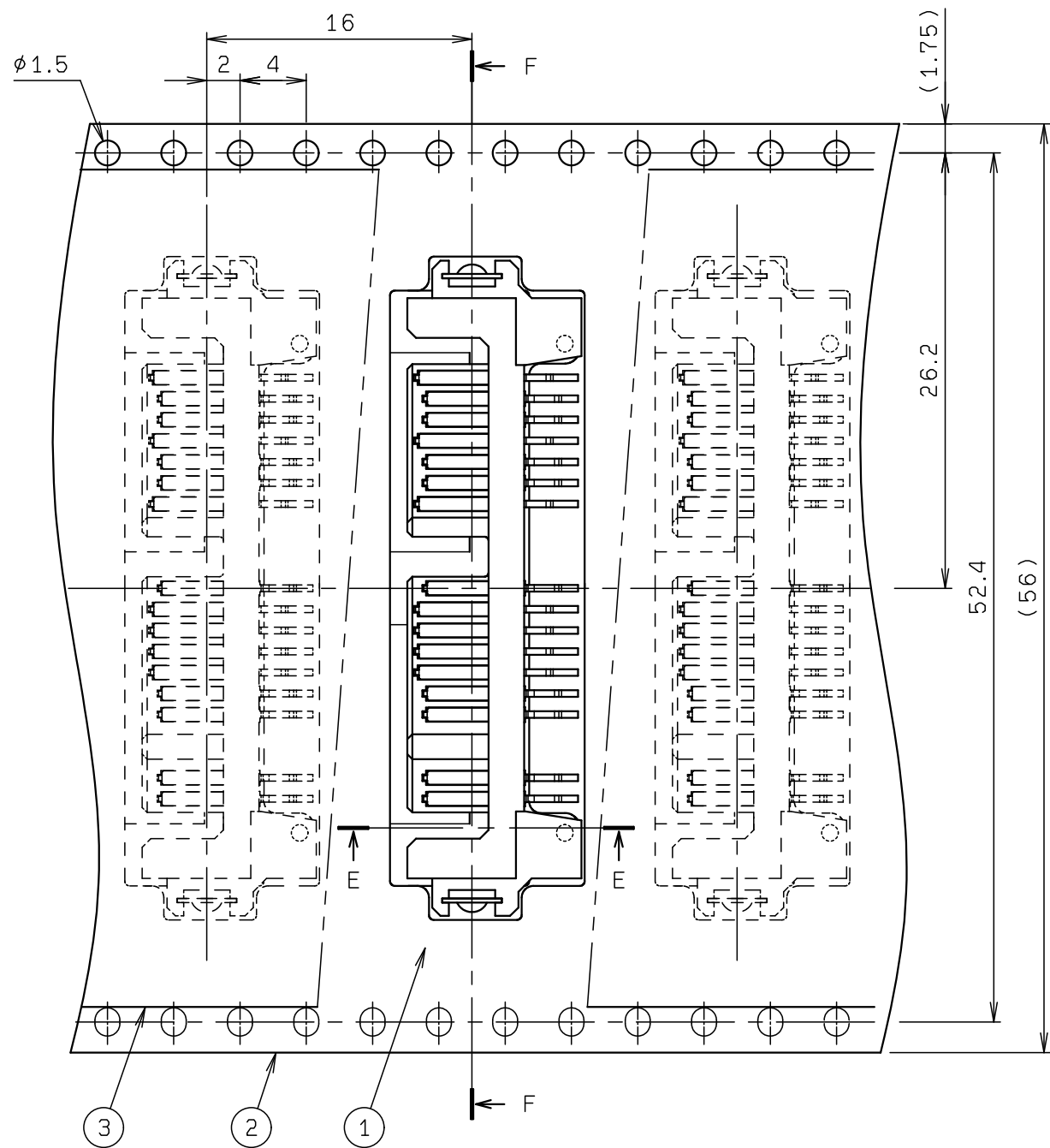


注記
NOTE
1. 型番 P/N 10 5650 016 005 XXX +
VARIATION 5 :MS-ATA PLUG RA REVERSE 2.45 TYPE
PLATING 829 + :CONTACT AREA AU 0.1μMIN.
868 + :CONTACT AREA AU 0.1μMIN. NI DAM

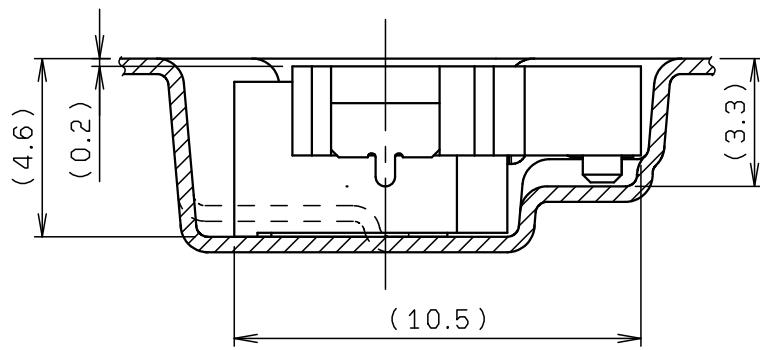


RECOMMENDED PCB PAT LAYOUT
(推奨マスク厚 0.2mm)
(RECOMMENDED MASK THICKNESS 0.2 mm)

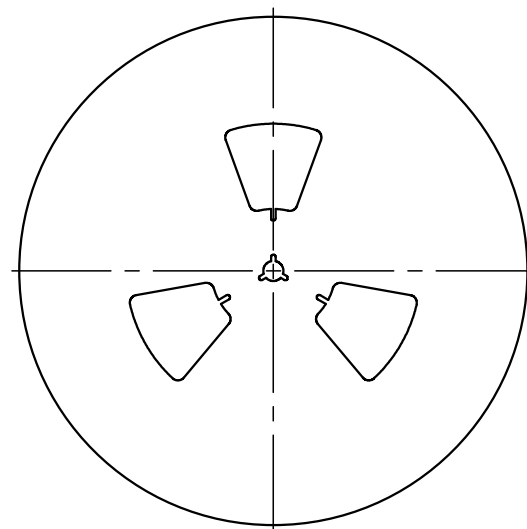
TOLERANCE / 一般公差(S)		PRODUCT SPEC / 製品規格		A DCN-899		11-14-08			
X < 10	±0.2	UNIT	ANGLE	O EDN-680	10-10-08	M. YOSHIDA		T. MORI	
10 ≤ X < 30	±0.25	mm	3RD	NO. EDN/DCN	DATE	ISSUE	CHECKED	APPROVED	
30 ≤ X	±0.3	SCALE	DATE	PART NAME / 品名					
ANGLE / 角度	±3°	3 : 1	10-10-08	SERIES 5650					
DRAWN	DESIGNED	CHECKED	APPROVED	PART NO. / 型番					
M. TAKAHASHI	M. YOSHIDA		T. MORI	10 5650 016 005 XXX +					
KYOCERA KYOCERA Corporation				DWG NO. / 図番		SHEET/REV			
				BJS 5650010		1/1		A	



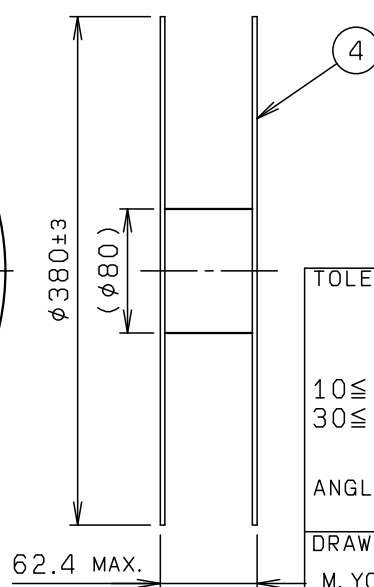
SECT. F-F



SECT. E-E (S=5/1)



REEL DIMENSION (S=1/5)

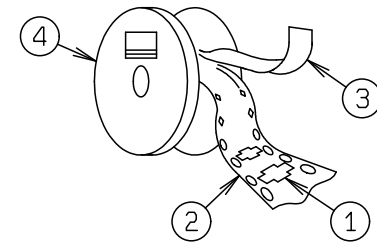


NO.	DESCRIPTION	PART NO.	QTY	MATERIAL	DRW NO.	REMARKS
1	CONNECTOR	10 5650 016 005 XXX +	500			
2	EMBOSSSED TAPE		1	POLYSTYRENE		
3	TOP COVER TAPE		1	POLYSTYRENE		
4	REEL		1	POLYSTYRENE		

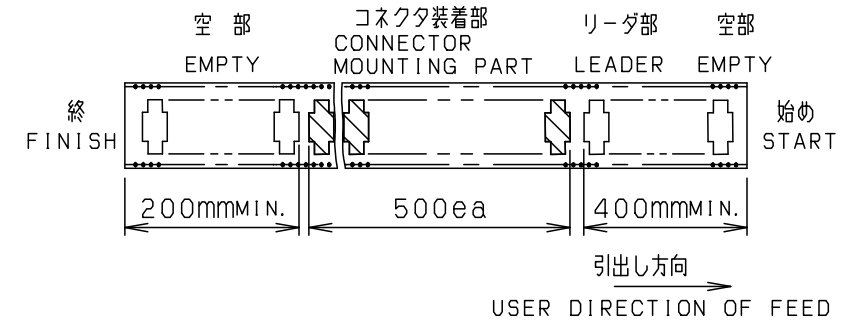
注記
NOTE

1. 梱包数量 : 500 個/リール
PACKING QUANTITY : 500 ea/reel

2. 納入時のリール巻き方向
REELING DIRECTION
IN DELIVERY



3. 引出し方向
USER DIRECTION OF FEED



4. 型番
P/N 14 5650 016 005 XXX +

VARIATION
5 : MS-ATA PLUG RA REVERSE
2.45 TYPE

PLATING
829 + : CONTACT AREA Au 0.1μm MIN.
868 + : CONTACT AREA Au 0.1μm MIN. Ni DAM

ROHS規制対応
COMPLIANT WITH
ROHS REGULATIONS

TOLERANCE / 一般公差(S)		PRODUCT SPEC / 製品規格				
X < 10	±0.2	UNIT	ANGLE	0	EDN-680	10-10-08
10 ≤ X < 30	±0.25	mm	3RD	NO.	EDN/DCN	DATE
30 ≤ X	±0.3	SCALE	DATE	ISSUE	CHECKED	APPROVED
ANGLE / 角度	±3°	N/T	10-10-08	PART NAME / 品名		
DRAWN		DESIGNED	CHECKED	EMBOSS TAPE ASSY		
M. YOSHIDA				MS-ATA 16P PLUG RA CONNECTOR REVERSE		
APPROVED		PART NO. / 型番		14 5650 016 005 XXX +		
APPROVED		DWG NO. / 図番		BJS 5650011		
APPROVED		SHEET/REV		1/1 0		

KYOCERA Corporation

BJS 5650011

1/1 0