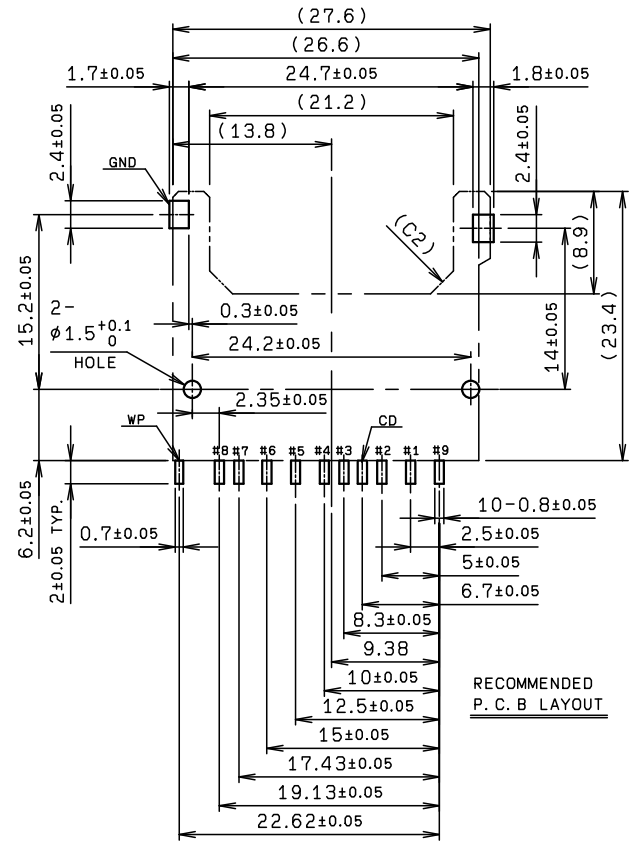
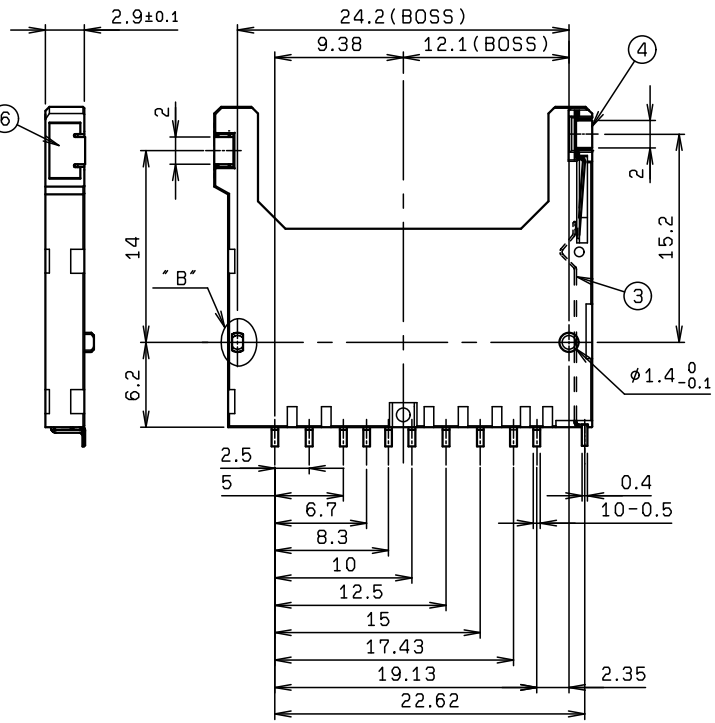
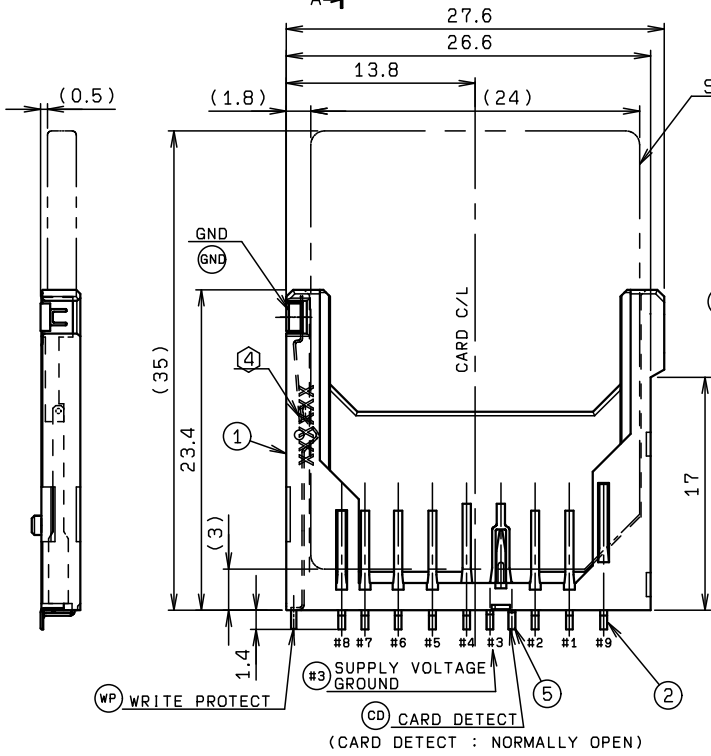
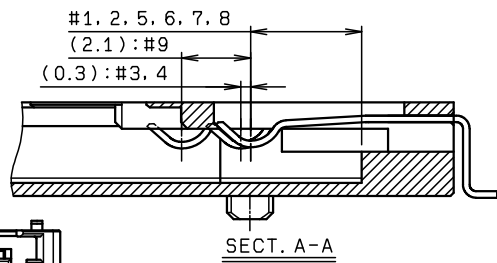
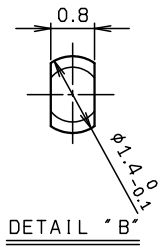


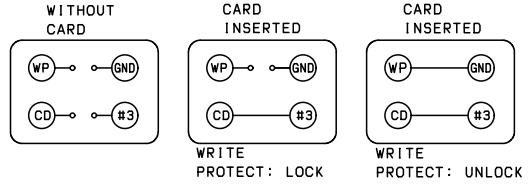
ROHS規制対応
COMPLIANT WITH
ROHS REGULATIONS

NO.	DESCRIPTION	PART NO.	QTY	MATERIAL	DRW NO.	REMARKS
1	INSULATOR		1	HEAT RESISTANT RESIN		UL94-V0
2	CONTACT		9	PHOS-BRONZE		Au
3	WRITE PROTECT CONTACT		1	PHOS-BRONZE		Au
4	GROUND CONTACT		1	PHOS-BRONZE		Au
5	CARD DETECT CONTACT		1	PHOS-BRONZE		Au
6	ANCHOR PLATE		1	BRASS		Ni, Sn-Cu



注記
NOTE

1. テールコプラナリティー: 0.1mmMAX.
COPLANARITY
2. 回路構成 CIRCUIT



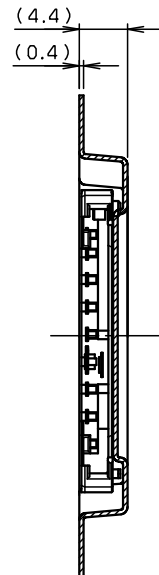
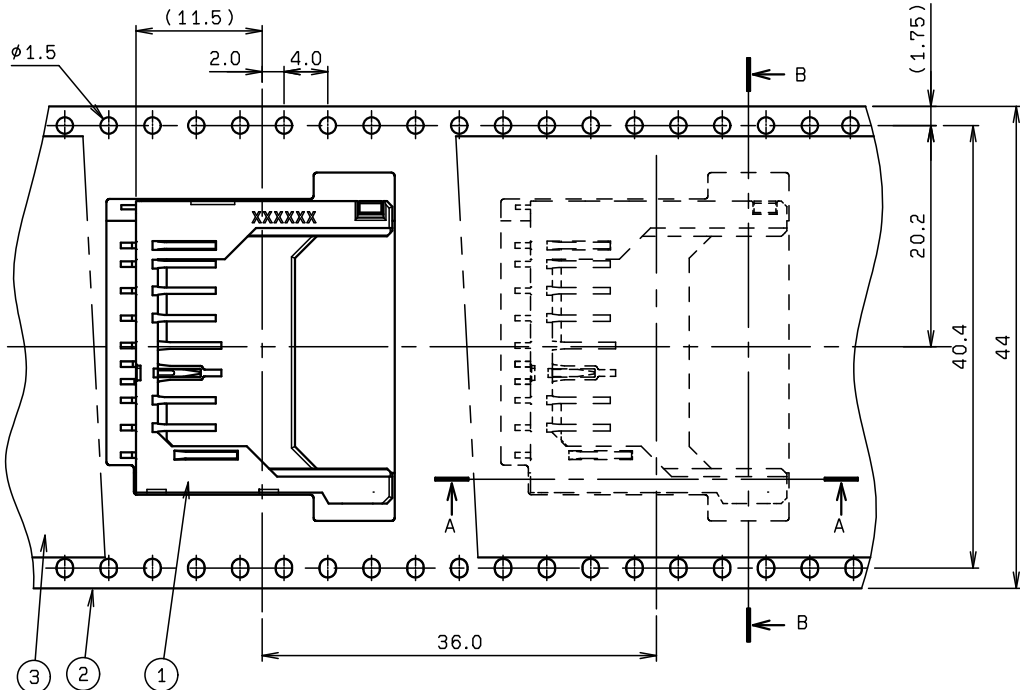
③ LOT. NO. XXXXXX
製造場所コード PRODUCT PLACE NO.
E A: 中国工場
日 DAY
月 MONTH
(1~9, X, Y, Z)
年 YEAR
(A, D, 2000~: A, B, C, D, E, F, G, H, J, K
2010~: 0, 1, 2, 3, 4, 5, 6, 7, 8, 9
2020~: A, B, C, D, E, F, G, H, J, K)

※この注記の1~3は1ページ目のみ適用
※THIS NOTES 1 TO 3 ARE APPLICABLE TO SHEET-1 ONLY.

TOLERANCE / 一般公差(S)		PRODUCT SPEC / 製品規格		B DCN20652		2020/06/29		K. YOSHIDA		F. I. KEGAMI	
X < 10	±0.2			A DCN-185	2017/02/14		H. NAKAMURA		Y. OKABE		
10 ≤ X < 30	±0.25	UNIT	ANGLE	O EDN-288	2006/03/15		A. SATO		T. MORI		
30 ≤ X	±0.3	mm	3RD	NO. EDN/DCN	DATE	ISSUE	CHECKED	APPROVED			
ANGLE / 角度 ±3°		SCALE	DATE	PART NAME / 品名							
		NTS	2006/03/15	SERIES 5638							
DRAWN T. KOMATSU		DESIGNED A. SATO	CHECKED	APPROVED T. MORI	SDMC ASSY TYPE REVERSE WITHOUT EJECT						
				PART NO. / 製番		14 5638 109 211 859 +					
				DWG NO. / 図番		BJS 5638035					
						SHEET/REV 1/2 B					

© 2020 KYOCERA Corporation

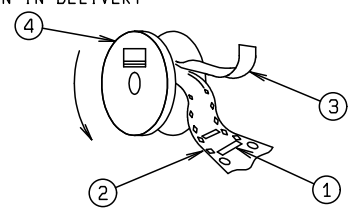
NO.	DESCRIPTION	PART NO.	QTY	MATERIAL	DRW NO.	REMARKS
1	CONNECTOR	14 5638 109 211 859 +	350			10 5638 109 211 859 +
2	EMBOSS TAPE	_____	1	POLYSTYRENE (CLEAR)		
3	TOP COVER TAPE	_____	1	POLYSTYRENE		
4	REEL	_____	1	POLYSTYRENE		



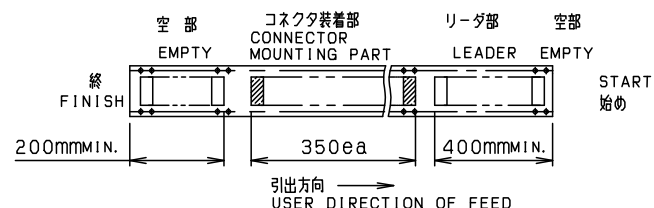
SECT. B-B

注記
NOTE

- 梱包数量 : 350 個/リール
PACKING QUANTITY : 350 ea/reel
- 納入時のリール巻方向
REELING DIRECTION IN DELIVERY

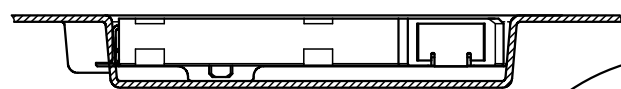


3. 引出し方向 USER DIRECTION OF FEED

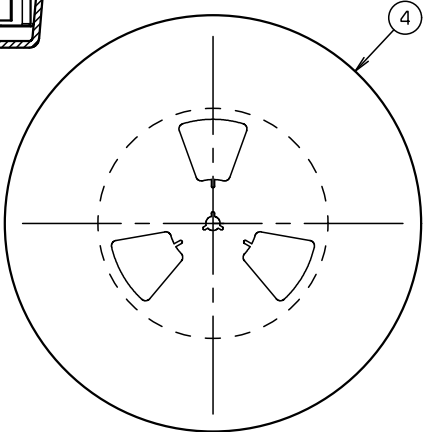


- 型番 P/N : 14 5638 109 211 859 +
種数 NO. OF POS.

※この注記の1~3は2ページ目区のみ適用
※THIS NOTES 1 TO 3 ARE APPLICABLE TO SHEET-2 ONLY.



SECT. A-A (S=3:1)



REEL DIMENSION (S=1:5)

ROHS規制対応
COMPLIANT WITH
ROHS REGULATIONS

TOLERANCE / 一般公差(S)		PRODUCT SPEC / 製品規格		REFER TO SHEET 1/2		NO.		EDN/DCN		DATE		ISSUE		CHECKED		APPROVED	
X < 10	±0.2	UNIT	ANGLE	mm	3RD												
10 ≤ X < 30	±0.25	SCALE	DATE	2 : 1	2006/03/15												
30 ≤ X	±0.3	ANGLE / 角度		±3°													
DRAWN	DESIGNED	CHECKED	APPROVED	PART NAME / 品名													
T. KOMATSU	A. SATO		T. MORI	SERIES 5638 EMBOSS TAPE ASSY													
				TYPE REVERSE WITHOUT EJECT													
				PART NO. / 型番													
				14 5638 109 211 859 +													
				DWG NO. / 図番													
				BJS 5638035													
														SHEET/REV		2/2 B	

