

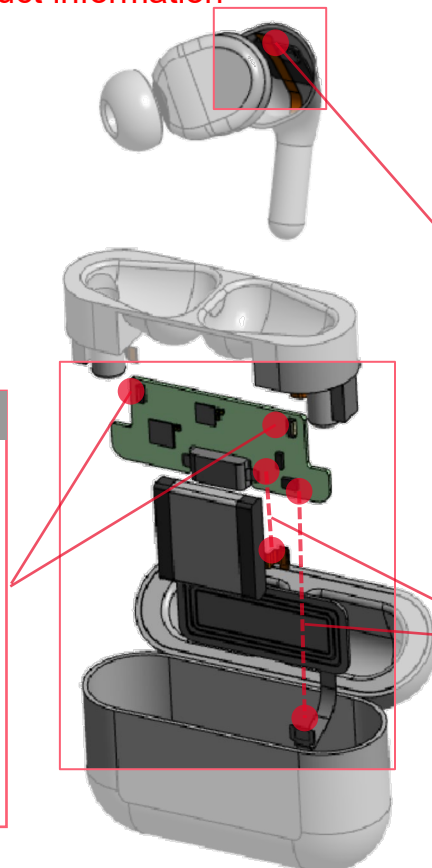




\* Click the series number to check the product information

### Main – Sub. PCB



FPC/FFC Connectors Height: 0.85~0.95mm	Board to Board Connectors Stacking Height: 0.6mm
 <ul style="list-style-type: none"> <li>● 0.2mm Pitch <a href="#">6866</a> Space-saving, Front-lock</li> <li>● 0.3mm Pitch <a href="#">6293</a> Lower-profile, Back-lock <a href="#">6844</a> Space-saving, Front-lock</li> <li>● 0.5mm Pitch <a href="#">6277</a> Low pin count, Back-lock <a href="#">6298</a> Low pin count, Back-lock</li> </ul>	 <ul style="list-style-type: none"> <li>● 0.35mm Pitch <a href="#">5861</a> Power 5A, Lower-profile</li> <li>● 0.4mm Pitch <a href="#">5806</a> Space-saving</li> </ul>



### Main – Sub. PCB

FPC/FFC Connectors Height: 0.85~0.95mm	Board to Board Connectors Stacking Height: 0.6mm
 <ul style="list-style-type: none"> <li>● 0.2mm Pitch <a href="#">6866</a> Space-saving, Front-lock</li> <li>● 0.3mm Pitch <a href="#">6293</a> Lower-profile, Back-lock <a href="#">6844</a> Space-saving, Front-lock</li> <li>● 0.5mm Pitch <a href="#">6277</a> Low pin count, Back-lock <a href="#">6298</a> Low pin count, Back-lock</li> </ul>	 <ul style="list-style-type: none"> <li>● 0.35mm Pitch <a href="#">5861</a> Power 5A, Lower-profile</li> <li>● 0.4mm Pitch <a href="#">5806</a> Space-saving</li> </ul>

### Battery, Wireless Charge

Board to Board Connectors Stacking Height: 0.6~0.7mm	
 <ul style="list-style-type: none"> <li>● 0.35mm Pitch <a href="#">5811</a> Power 3A, Space-saving</li> </ul>	 <ul style="list-style-type: none"> <li><a href="#">7129</a> Power 10A</li> </ul>