

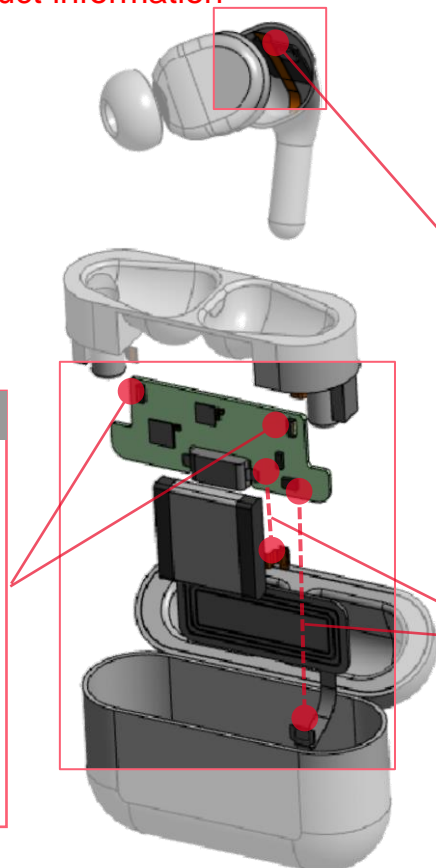




* Click the series number to check the product information

Main – Sub. PCB


FPC/FFC Connectors	Board to Board Connectors
Height: 0.85~0.95mm	Stacking Height: 0.6mm
 ●0.2mm Pitch 6866 Space-saving, Front-lock ●0.3mm Pitch 6293 Lower-profile, Back-lock 6844 Space-saving, Front-lock ●0.5mm Pitch 6277 Low pin count, Back-lock 6298 Low pin count, Back-lock	 ●0.35mm Pitch 5861 Power 5A, Lower-profile ●0.4mm Pitch 5806 Space-saving



Main – Sub. PCB

FPC/FFC Connectors	Board to Board Connectors
Height: 0.85~0.95mm	Stacking Height: 0.6mm
 ●0.2mm Pitch 6866 Space-saving, Front-lock ●0.3mm Pitch 6293 Lower-profile, Back-lock 6844 Space-saving, Front-lock ●0.5mm Pitch 6277 Low pin count, Back-lock 6298 Low pin count, Back-lock	 ●0.35mm Pitch 5861 Power 5A, Lower-profile ●0.4mm Pitch 5806 Space-saving

Battery, Wireless Charge

Board to Board Connectors
Stacking Height: 0.6~0.7mm
  ●0.35mm Pitch 5811 Power 3A, Space-saving 7129 Power 10A