

\* Click the series number to check the product information

## Camera Module

### FPC/FFC Connectors

Height: 2.0~6.0mm



- 0.5mm Pitch
- [6288](#) Front-lock
- [6892](#) AOI-compatible, Front-lock
- [6810](#) AOI-compatible, One-Action

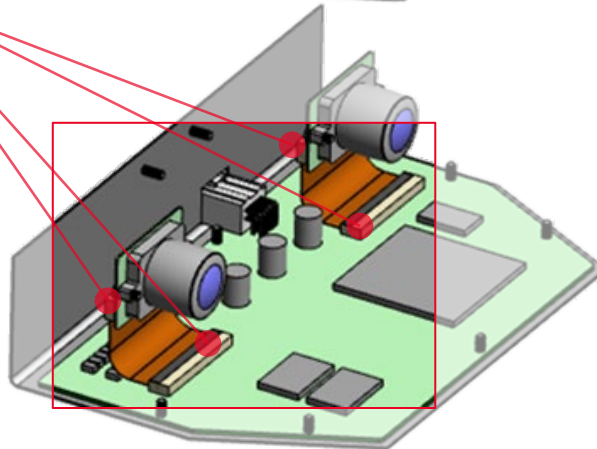
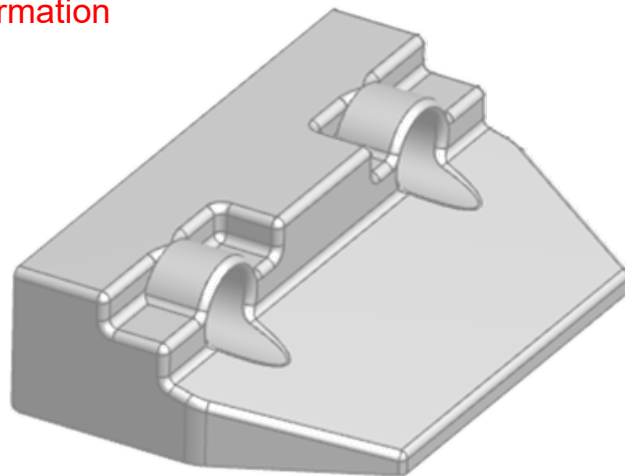
### Board to Board Connectors

Stacking Height: 3.5~7.0mm

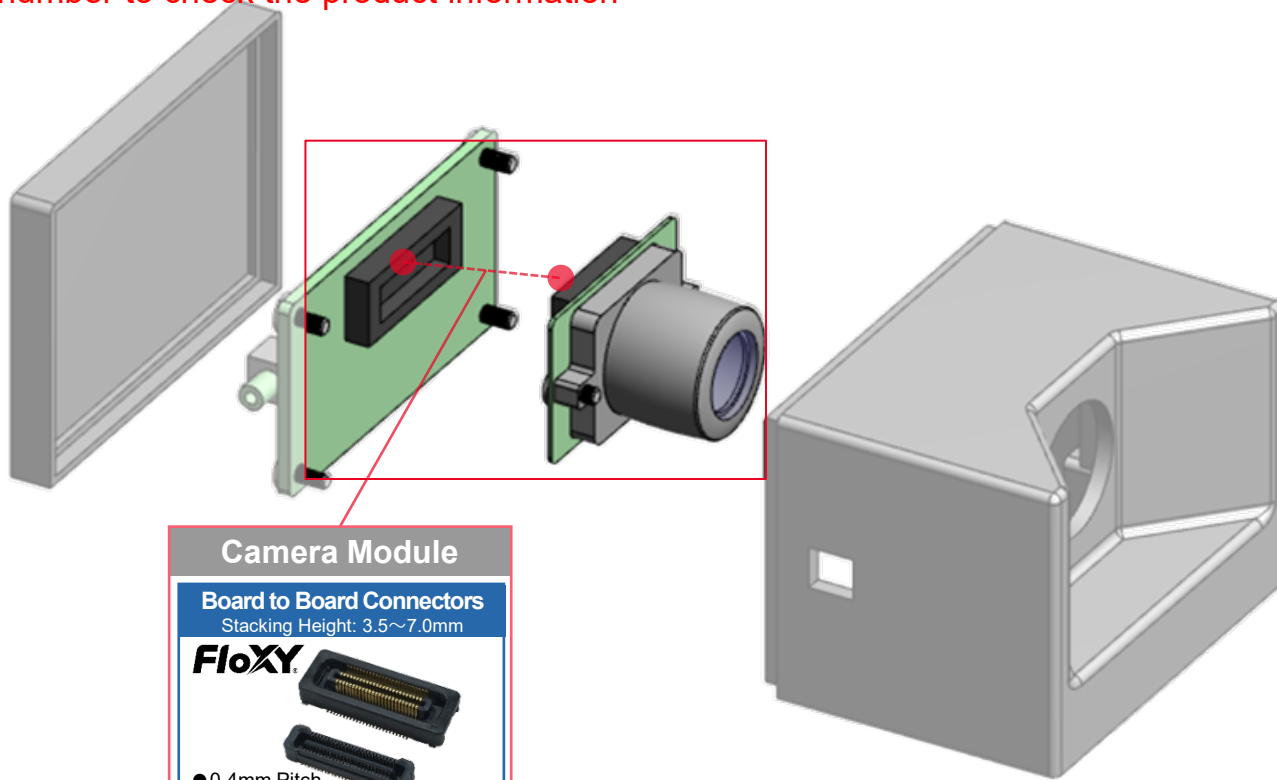
**FloXY**



- 0.4mm Pitch
- [8152](#) Lower-profile
- 0.5mm Pitch
- [5655](#) Lower-profile



\* Click the series number to check the product information



**Camera Module**

**Board to Board Connectors**  
Stacking Height: 3.5~7.0mm

**FloXXY**

- 0.4mm Pitch  
[8152](#) Lower-profile
- 0.5mm Pitch  
[5655](#) Lower-profile