

\* Click the series number to check the product information

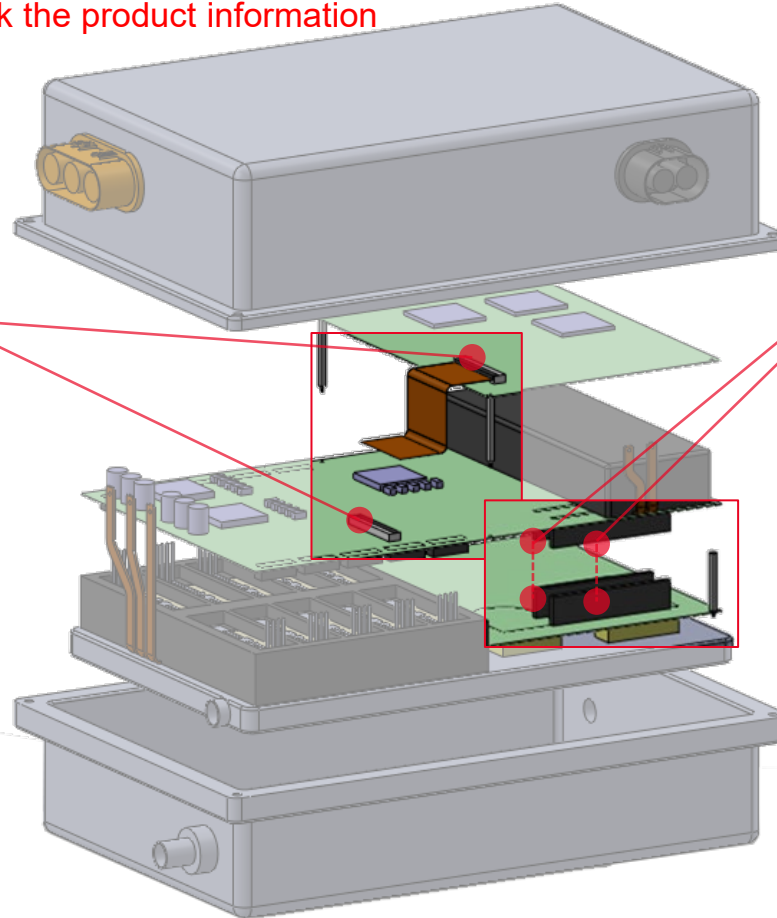
### Control Board - Gate Drive Board

#### FPC/FFC Connectors

Height: 2.0~6.0mm




- 0.5mm Pitch
- [6288](#) Front-lock
- [6892](#) AOI-compatible, Front-lock
- [6810](#) AOI-compatible, One-Action



### Control Board - Gate Drive Board

#### Board to Board Connectors

Stacking Height: 4.0~30.0mm



**FloXY**

- 0.5mm Pitch
- [5655](#) Lower-profile
- [5652](#) High-speed transmission
- [5656](#) 1mm Floating